

# EDC-3222

Home | Security | Dome Cameras | PTZ

EDC-3222

1/4" Dome, PTZ, Day&Night, WDR, BLC, clear, 22x,

580TVL, 24VAC, Indoor

**Art-Nr. 74193**



## Main Features

High resolution day&night camera with ExView CCD  
Integral 22x AF zoom lens / 16x digital zoom  
True D&N mode with IR cut filter (ICR)  
Advanced wide dynamic range (WDR) upto x512 (54dB)  
Powerful digital noise reduction (2D/3D DNR)  
High and low speed shutter control (MES+DSS)

Auto calibration (0.1 ~6°)  
Preset, pattern, tour and autopan function  
Privacy masking up to 16 zones  
On-screen menu control (OSD)  
RS-485/RS-422 control interface  
Supply voltage: 24VDC/AC, 50/60Hz

## Specifications

Series	eneo Fastrax III
Video standard	CCIR/PAL
System	day&night
Sensor size	1/4"
Imager	CCD, Sony ExView HAD Interline Transfer
Active picture elements	795(H) x 596(V) pixels
Synchronization	Internal/AC line lock, phase adjustment via remote control
Signal-to-noise ratio	50dB (AGC OFF)
Sensitivity (at 50% video signal)	1,0 Lux, (colour), 0.1Lux (B&W) at F1.2 (measured)
Horizontal resolution	580 TVL
Automatic gain control (AGC)	Available
Automatic electronic shutter (ESC)	yes
Manual electronic shutter (MES)	1/50 ~1/100,000sec.

# EDC-3222

(Continuation Specifications)

Low speed shutter	yes
Digital Noise Reduction (DNR)	yes
Flickerless function	yes
Mirror function	vertical
White balance	modes: manually, automatic, indoor, outdoor, ATW, AWC
Backlight compensation	BLC
Wide Dynamic Range (WDR)	yes, 54dB
Aperture Correction (APC)	horizontal, vertical
IR cut filter	switchable
Speed (manual control)	380 °/Sek.
Speed range at manual control (pan)	0.1° ~380°/sec. (Proportional to zoom)
Speed range at manual control (tilt)	0.1° ~200°/sec. (Proportional to zoom)
Preset speed	380 °/Sek.
Rotation range	360°
Tilt range	-10° ~+190° (Digital Flip)
Preset positioning	240 presets with camera status (12-character title display)
Frame store	The image will be frozen during calling preset
Backlash	0.2°
Patterns	8 patterns up to 500sec.
Tours	up to 8 programmable guard tours, consisting of 42 presets each and up to 12 character title display
Autoscan	16 User programmable auto scans with 13 selectable speeds and 12 character title display
Proportional pan and tilt	continually decreases pan and tilt speeds in proportion to depth of zoom
Auto flip function	180° digital flip (turns the video output from the camera upside down and reverses it horizontally)
Programmable park position	included
Privacy zones masking	8 zones masking with block or video OFF option
Zones	16 each with programmable 12 character label
Video outputs	composite (CVBS), 1Vp-p, (C)VBS, 75ohms, BNC
Lens type	zoom
Focal length	3,9 mm - 85,8 mm
Horizontal angle of view	49,5° - 2,46°
Digital zoom	16x
Aperture range (F)	F1.6 (3.6) ~F130
Focus control	Automatic with manual override
Iris control	auto iris, Manual override
MOD (Minimum object distance)	1,0 m
Alarm inputs	8, selectable between NO and NC
Alarm outputs	4

# EDC-3222

(Continuation Specifications)

<b>Alarm processing</b>	Programmable alarm action with selectable priority levels
<b>Illumination</b>	no
<b>Activity detection</b>	yes
<b>Menu languages</b>	German, English, French, Spanish, Italian, Portuguese, Polish
<b>OSD function control</b>	day&night, AGC, BLC, AWB, iris, MOD, flickerless, digital zoom, digital noise reduction (DNR), WDR, shutter mode
<b>Text display</b>	16 character label
<b>Camera ID</b>	Via ID no.
<b>Sharpness correction</b>	adjustment range: 0 ~15
<b>Brightness</b>	adjustment range: 1 ~15
<b>External adjustments</b>	ID, Baud rate, Termination and protocol type switches
<b>Operation protection</b>	Available
<b>Backup</b>	Non-volatile back box memory stores all camera and site-specific dome settings
<b>Adresses</b>	Up to 999 Dome ID's (3999 by software setting)
<b>Keyboard control</b>	Direct mode control with Eneo EDC-KBD(M), KBD-2, KBD-NSC-100 keyboard series, or in conjunction with the eneo DVR series DLR, DTR and DPR
<b>Remote control</b>	Camera remote settings via keyboard
<b>Serial interfaces</b>	RS-422, RS-485, 9600Baud (default), 999 camera ID addresses selectable. Besides the keyboard control via the eneo EDC-KBD(M) and KBD-2(NSC-100) series, control via Pelco P&D protocol
<b>Temperature range (operation)</b>	0°C ~+50°C
<b>Heater</b>	no
<b>Protection rating</b>	n/a
<b>Supply voltage</b>	24VAC, (18 ~30VAC), 50/60Hz
<b>Power consumption</b>	20W
<b>Vandalism resistant</b>	no
<b>Bubble</b>	4.9" (125mm), clear acrylic plastic
<b>Colour (bubble)</b>	clear
<b>Mounting</b>	ceiling mount, housing assy
<b>Housing</b>	indoor
<b>Housing material</b>	plastic
<b>Colour (housing)</b>	black
<b>Weight</b>	1.25kg
<b>Parts supplied</b>	Camera, Manual, Clear bubble
<b>Certificates</b>	CE

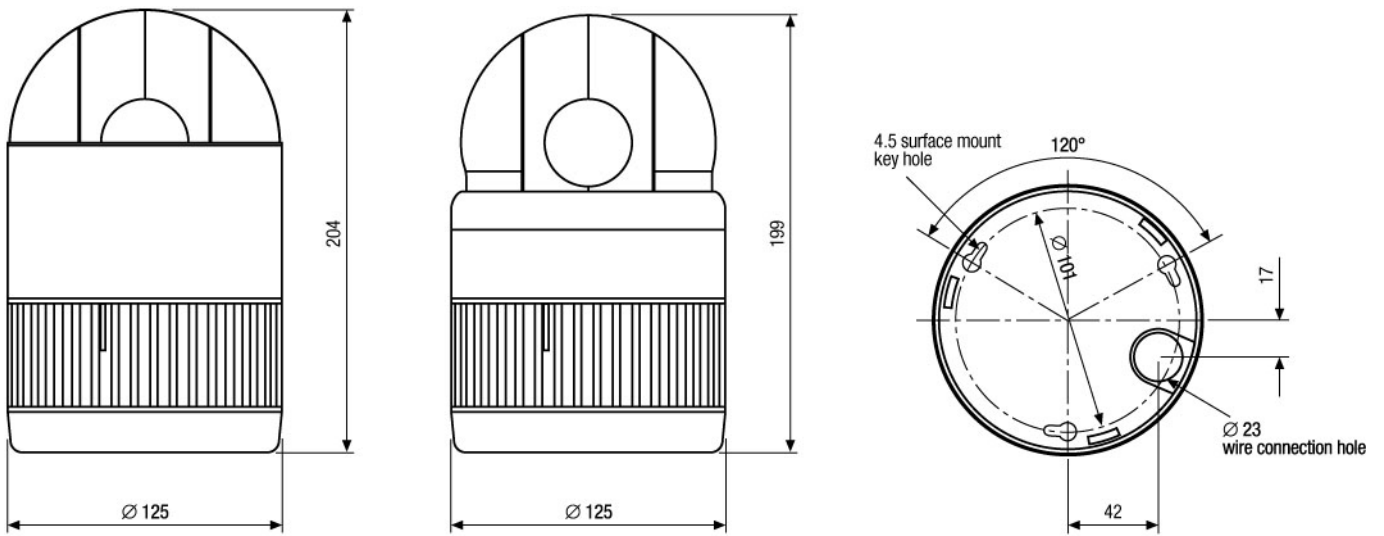
## Optional accessories

70449	NE-128	Voltage supply unit 230V/24VAC-5A, IP66
-------	--------	---

## EDC-3222

74149	KBD-2	System Keyboard with 3-Axis Joystick and Jog Shuttle, 12VDC
74092	EDC-KBDM-3	System Keyboard w. Joystick, 5" Monitor 12VDC, Fastrax Protocol
74088	EDC-KBD1	System Keyboard with 3-axis Joystick, 12VDC
74134	EDC-IPS-2/24V	Pendant Mount Indoor Dome Housing with Tinted Bubble 6.5", 24VAC
74130	EDC-OPC-2/24V	Pendant Mount Outdoor Dome Housing, Sun Shield, Clear Bubble 6.5", 24VAC
74136	EDC-OPS-2/24V	Pendant Mount Outdoor Dome Housing with Sunshield, Tinted Bubble 6.5", 24VAC
74135	EDC-IPC-2/24V	Pendant Mount Indoor Dome Housing with Clear Bubble 6.5", 24VAC
70527	NE-132/AC24V	Power Supply Unit 230VAC/24VAC (1.0A)
74746	KBD-NSC-100	Network System Controller with 3-Axis Joystick and Jog Shuttle, 5VDC
74124	FASTRAX_CONFIG	Configuration Software for Eneo Fastrax, Minitrax Dome Cameras and VKC-1416
74094	EDC-COAX	Coax Telemetry Board for VPT-501/601, EDC/EDMC Series assembled
74089	EDC-CR1	Converter RS-232/RS-485, Repeater RS-485
74163	EDC-AKS2	Power&Connection Box with Connection Cable 3.5m, In/Outdoor, 230V-24VAC/3.0A
74095	EDC-PBP	Protocol Converter BiPhase to RS-422, RS-485 for EDC Dome Cameras, 12VDC
74154	EDC-IDFSW	Flush Mount Dome Housing, White Trimring Smoked Bubble 6.8"

## Technical drawing



Maße/Dimensions: mm

SLD Security & Communications  
The Old Forge, Ockham Lane, Ockham, Surrey GU236PH England  
Phone +44.1483225633 · Fax +44.1483225634  
sales@sld.co.uk · www.sld.co.uk

