

# EDC-3351

Home | Security | Dome Cameras | PTZ

EDC-3351

1/4" Dome, PTZ, Day&Night, clear, 35x,

Autocalibration, 540TVL, 24VAC

**Art-Nr. 74159**



## Main Features

High resolution colour/b&w (Super HAD CCD)

Wide dynamic range (WDR)

Digital image stabilization (DIS)

Auto calibration

35x optical and 12x digital zoom (264 total)

Removable IR cut filter

High and low speed shutter control (MES/ESC/DSS)

Pattern, tour and autopan function

240 presets

Dynamic window blanking

RS-485/RS-422 control interface

8 alarm inputs / 4 outputs

## Specifications

Series	eneo Fastrax III
Video standard	CCIR/PAL
System	day&night
Sensor size	1/4"
Imager	CCD, Sony Super HAD Interline Transfer
Synchronization	Internal/AC line lock, phase adjustment via remote control
Signal-to-noise ratio	50dB
Sensitivity (at 50% video signal)	0,6 Lux, (colour), 0.3Lux (B&W) at F1.2 (measured)
Horizontal resolution	540 TVL
Digital signal processing (DSP)	DSP-7
Automatic gain control (AGC)	Automatic (On/Off switchable)
Shutter modes	High and Low Speed shutter
Shutter speed (AES/MES)	Automatic/manual: 1/50 ~1/30,000sec.

# EDC-3351

(Continuation Specifications)

<b>Low speed shutter</b>	yes, 2 ~32 fps.
<b>Digital Noise Reduction (DNR)</b>	no
<b>White balance</b>	modes: manually, automatic, indoor, outdoor, ATW, AWC
<b>Backlight compensation</b>	BLC
<b>Wide Dynamic Range (WDR)</b>	yes
<b>IR cut filter</b>	switchable
<b>Speed (manual control)</b>	380 °/Sek.
<b>Speed range at manual control (pan)</b>	0.1° ~380°/sec. (Proportional to zoom)
<b>Speed range at manual control (tilt)</b>	0.1° ~200°/sec. (Proportional to zoom)
<b>Preset speed</b>	380 °/Sek.
<b>Rotation range</b>	360°
<b>Tilt range</b>	180° (Digital Flip)
<b>Preset positioning</b>	240 presets with with camera status (12-character title display)
<b>Freeze function</b>	The image will be frozen during calling preset
<b>Backlash</b>	0.2°
<b>Patterns</b>	8 patterns up to 500sec.
<b>Tours</b>	up to 8 programmable guard tours, consisting of 42 presets each and up to 12 character title display
<b>Autoscan</b>	16 User programmable auto scans with 13 selectable speeds and 12 character title display
<b>Proportional pan and tilt</b>	continually decreases pan and tilt speeds in proportion to depth of zoom
<b>Auto flip function</b>	rotates dome camera's picture by 180° at bottom of tilt travel (Digital Flip)
<b>Programmable park position</b>	included
<b>Privacy zones masking</b>	8 zones masking with block or video OFF option
<b>Video outputs</b>	composite (CVBS), 1Vp-p, (C)VBS, 75ohms, BNC
<b>Lens type</b>	zoom
<b>Lens</b>	F1.4 ~F170/3.4 ~119mm (35x optical, 12x digital zoom)
<b>Focal length</b>	3,4 mm - 119 mm
<b>Horizontal angle of view</b>	55,8° - 1,7°
<b>Digital zoom</b>	12x
<b>Focus control</b>	Automatic with manual override
<b>Iris control</b>	auto iris, Manual override
<b>MOD (Minimum object distance)</b>	1,0 m
<b>Alarm inputs</b>	8, selectable between NO and NC
<b>Alarm outputs</b>	4
<b>Alarm processing</b>	Programmable alarm action with selectable priority levels
<b>Illumination</b>	no
<b>Activity detection</b>	yes
<b>Motion detector</b>	in preset mode only

# EDC-3351

(Continuation Specifications)

<b>Menu languages</b>	English, German, French, Spanish, Portuguese, Italian, Polish
<b>Text display</b>	12 character labels
<b>Operation protection</b>	Available
<b>Backup</b>	Non-volatile back box memory stores all camera and site-specific dome settings
<b>Adresses</b>	Up to 999 Dome ID's (3999 by software setting)
<b>Keyboard control</b>	Direct mode control with Eneo EDC-KBD(M), KBD-2, KBD-NSC-100 keyboard series, or in conjunction with the eneo DVR series DLR, DTR and DPR
<b>Remote control</b>	Camera remote settings via keyboard
<b>Serial interfaces</b>	RS-422, RS-485, 9600Baud (default), 999 camera ID addresses selectable. Besides the keyboard control via the eneo EDC-KBD(M) and KBD-2(NSC-100) series, the control via matrix switchers and keyboards from Pelco (D+P protocol), Ernitec, Philips (Bosch), Sensormatic RS-422, (back channel via RS-422 is not activated), Vicon and Dynacolor is available
<b>Temperature range (operation)</b>	0°C ~+50°C
<b>Heater</b>	no
<b>Protection rating</b>	n/a
<b>Supply voltage</b>	24VAC, (18 ~30VAC), 50/60Hz
<b>Power consumption</b>	20W
<b>Vandalism resistant</b>	no
<b>Bubble</b>	4.9" (125mm), clear acrylic plastic
<b>Colour (bubble)</b>	clear
<b>Mounting</b>	ceiling mount, housing assy
<b>Housing</b>	indoor
<b>Housing material</b>	plastic
<b>Colour (housing)</b>	black
<b>Dimensions (HxWxD)</b>	see drawing
<b>Weight</b>	1.25kg
<b>Parts supplied</b>	Clear bubble
<b>Certificates</b>	CE
<b>Special feature</b>	Auto calibration

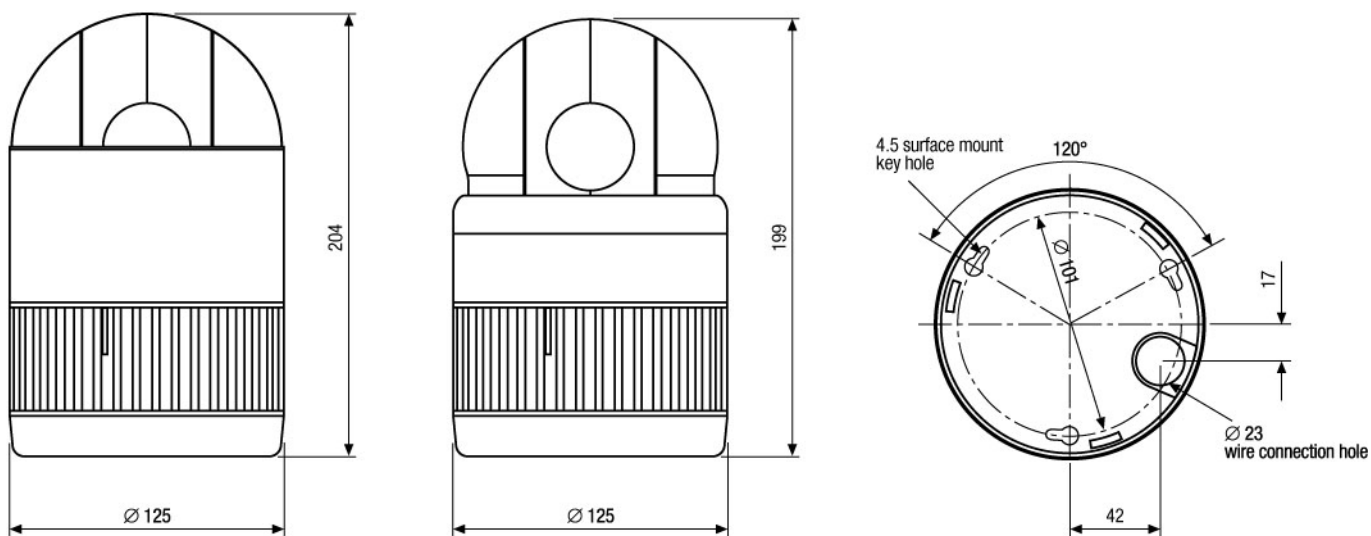
## Optional accessories

<b>70449</b>	<b>NE-128</b>	Voltage supply unit 230V/24VAC-5A, IP66
<b>74149</b>	<b>KBD-2</b>	System Keyboard with 3-Axis Joystick and Jog Shuttle, 12VDC
<b>74092</b>	<b>EDC-KBDM-3</b>	System Keyboard w. Joystick, 5" Monitor 12VDC, Fastrax Protocol
<b>74088</b>	<b>EDC-KBD1</b>	System Keyboard with 3-axis Joystick, 12VDC
<b>74134</b>	<b>EDC-IPS-2/24V</b>	Pendant Mount Indoor Dome Housing with Tinted Bubble 6.5", 24VAC

## EDC-3351

74130	EDC-OPC-2/24V	Pendant Mount Outdoor Dome Housing, Sun Shield, Clear Bubble 6.5", 24VAC
74136	EDC-OPS-2/24V	Pendant Mount Outdoor Dome Housing with Sunshield, Tinted Bubble 6.5", 24VAC
74135	EDC-IPC-2/24V	Pendant Mount Indoor Dome Housing with Clear Bubble 6.5", 24VAC
70527	NE-132/AC24V	Power Supply Unit 230VAC/24VAC (1.0A)
74746	KBD-NSC-100	Network System Controller with 3-Axis Joystick and Jog Shuttle, 5VDC
74124	FASTRAX_CONFIG	Configuration Software for Eneo Fastrax, Minitrax Dome Cameras and VKC-1416
74094	EDC-COAX	Coax Telemetry Board for VPT-501/601, EDC/EDMC Series assembled
74089	EDC-CR1	Converter RS-232/RS-485, Repeater RS-485
74163	EDC-AKS2	Power&Connection Box with Connection Cable 3.5m, In/Outdoor, 230V-24VAC/3.0A
74095	EDC-PBP	Protocol Converter BiPhase to RS-422, RS-485 for EDC Dome Cameras, 12VDC
74154	EDC-IDFSW	Flush Mount Dome Housing, White Trimring Smoked Bubble 6.8"

## Technical drawing



Maße/Dimensions: mm

SLD Security & Communications  
The Old Forge, Ockham Lane, Ockham, Surrey GU236PH England  
Phone +44.1483225633 · Fax +44.1483225634  
sales@sld.co.uk · www.sld.co.uk

