

EDC-4222

Home | Security | Dome Cameras | PTZ

EDC-4222
1/4" Dome, PTZ, Day&Night, 3.9-85.8mm, 22x, WDR,
BLC, 580TVL, 24VAC

Art-Nr. 74223



Main Features

High resolution colour/b&w (ExView CCD)	Pattern, tour and autopan function
Wide dynamic range (WDR)	240 presets
Auto calibration (0.1°-6°)	Digital image stabilization (DIS)
22x optical and 16x digital zoom (352 total)	Video analysis: Motion trace, counting, enter, etc
Removable IR cut filter (ICR)	RS-485/RS-422 control interface
High and low speed shutter control (MES/ESC/DSS)	Supply voltage: 18 to 30VAC, 50/60Hz

Specifications

Series	eneo Fastrax IV
Video standard	CCIR/PAL
System	day&night
Sensor size	1/4"
Imager	CCD, Sony ExView HAD Interline Transfer
Active picture elements	795(H) x 596(V) pixels
Synchronization	Internal/AC line lock, phase adjustment via remote control
Signal-to-noise ratio	50dB
Sensitivity (at 50% video signal)	0,29 Lux, (colour) at F1.2 (measured)
Exposure modes	automatic or manual mode, Iris priority, Shutter priority
Horizontal resolution	580 TVL
Automatic gain control (AGC)	ON/OFF switchable
Shutter modes	High and Low Speed shutter

EDC-4222

(Continuation Specifications)

Manual electronic shutter (MES)	1/50 ~1/100,000sec.
Shutter speed (AES/MES)	Automatic/manual: 1 ~1/10,000sec. (PAL)
Low speed shutter	yes, 2 ~50 fps.
Digital Noise Reduction (DNR)	yes, 2D & 3D
Flickerless function	yes
Mirror function	horizontal, vertical
White balance	modes: manually, automatic, indoor, outdoor
Backlight compensation	BLC, Yes, ON/OFF switchable
Wide Dynamic Range (WDR)	yes, ON/OFF switchable
Aperture Correction (APC)	horizontal and vertical
IR cut filter	switchable
Speed (manual control)	380 °/Sek.
Speed range at manual control (pan)	0.1° ~380°/sec. (Proportional to zoom)
Speed range at manual control (tilt)	0.1° ~90°/sec. (Proportional to the zoom position)
Preset speed	360 °/Sek.
Rotation range	360°
Tilt range	180° (Digital Flip)
Preset positioning	240 presets with with camera status (12-character title display)
Freeze function	The image will be frozen during calling preset
Backlash	0.2°
Patterns	8 patterns up to 500sec.
Tours	up to 8 programmable guard tours, consisting of 42 presets each and up to 12 character title display
Autoscan	16 User programmable auto scans with 13 selectable speeds and 12 character title display
Proportional pan and tilt	continually decreases pan and tilt speeds in proportion to depth of zoom
Auto flip function	rotates dome 180° at bottom of tilt travel
Programmable park position	included
Auto calibration	yes
Privacy zones masking	8 zones masking with block or video OFF option
Zones	16 each with programmable 12 character label
Video outputs	composite (CVBS), 1Vp-p, (C)VBS, 75ohms, BNC
Lens type	zoom
Lens	F1.6 (3.6) ~F130/3,9 ~85,8mm (22x optical, 16x digital zoom)
Focal length	3,9 mm - 85,8 mm
Horizontal angle of view	49,5° - 2,4°
Digital zoom	16x
Aperture range (F)	F1.6~F3.6
Focus control	Automatic with manual override
Iris control	auto iris, Manual override

EDC-4222

(Continuation Specifications)

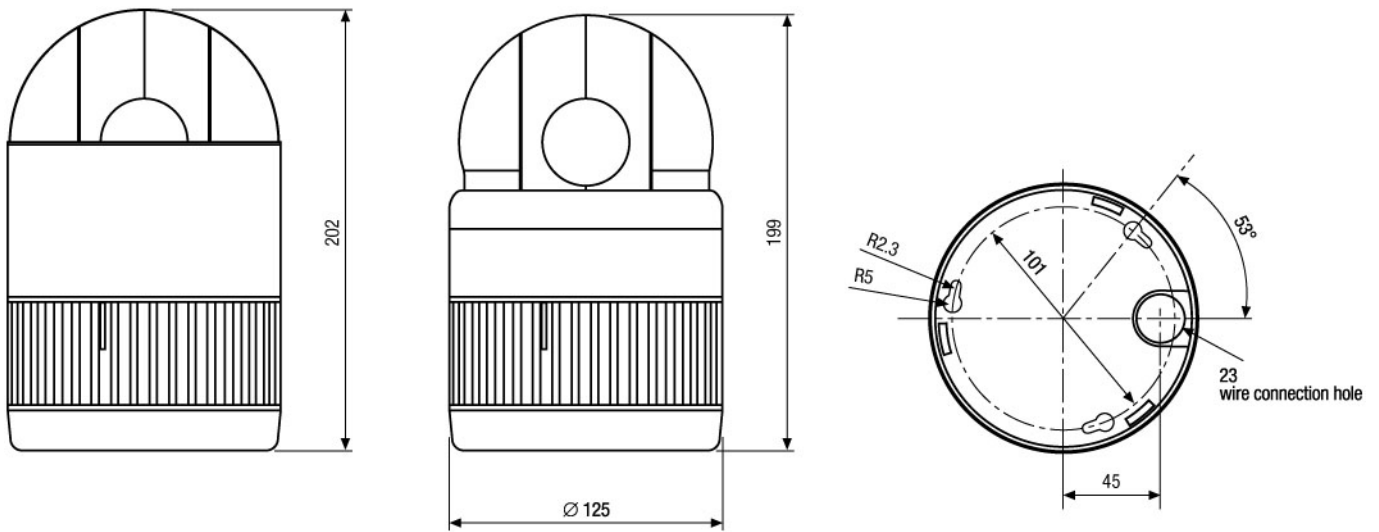
MOD (Minimum object distance)	0,1-1 m
MOD (Minimum Object Distance)	Wide angle (x1 to x4): 10cm; Tele end (x5 to x22): 1.0m
Alarm inputs	4, selectable between NO and NC
Alarm outputs	4
Illumination	no
Activity detection	yes
Analysis Functions	trip wire, motion tracking, enter, left luggage recognition, removal (object disappearing or removing), activity detection
Menu languages	German, English, French, Italian, Polish, Portugese, Spanish, Russian, Korean, Japanese, Chinese
OSD function control	4:3/16:9 compression, Zoom (4:3 format only), BIB (Video A/B or Y/C)
Text display	16 character label
External adjustments	DIP switch
Operation protection	Available
Backup	Non-volatile back box memory stores all camera and site-specific dome settings
Adresses	Up to 999 Dome ID's
Keyboard control	Direct mode control with Eneo EDC-KBD(M), KBD-2, KBD-NSC-100 keyboard series, or in conjunction with the eneo DVR series DLR, DTR and DPR
Remote control	Camera remote settings via keyboard
Serial interfaces	RS-485, RS-422, 9600Baud (default), 99 camera ID addresses selectable
Serial interfaces protocols	Fastrax IIE, Pelco P, Pelco D, Coaxitron, Sensormatic RS-422, Vicon, Ernitec, Bosch, Dynacolor
Temperature range (operation)	0°C ~+50°C
Heater	no
Protection rating	n/a
Supply voltage	24VAC, (18 ~30VAC), 50/60Hz
Power consumption	20W
Vandalism resistant	no
Bubble	6.3" (160mm), clear acrylic plastic
Colour (bubble)	clear
Mounting	wall or ceiling pendant mount
Housing	outdoor
Housing material	plastic
Colour (housing)	black
Dimensions (HxWxD)	see drawing
Weight	1.25kg
Certificates	CE
Special feature	Auto calibration

EDC-4222

Optional accessories

70449	NE-128	Voltage supply unit 230V/24VAC-5A, IP66
74149	KBD-2	System Keyboard with 3-Axis Joystick and Jog Shuttle, 12VDC
74092	EDC-KBDM-3	System Keyboard w. Joystick, 5" Monitor 12VDC, Fastrax Protocol
74088	EDC-KBD1	System Keyboard with 3-axis Joystick, 12VDC
74134	EDC-IPS-2/24V	Pendant Mount Indoor Dome Housing with Tinted Bubble 6.5", 24VAC
74130	EDC-OPC-2/24V	Pendant Mount Outdoor Dome Housing, Sun Shield, Clear Bubble 6.5", 24VAC
74136	EDC-OPS-2/24V	Pendant Mount Outdoor Dome Housing with Sunshield, Tinted Bubble 6.5", 24VAC
74135	EDC-IPC-2/24V	Pendant Mount Indoor Dome Housing with Clear Bubble 6.5", 24VAC
70527	NE-132/AC24V	Power Supply Unit 230VAC/24VAC (1.0A)
74746	KBD-NSC-100	Network System Controller with 3-Axis Joystick and Jog Shuttle, 5VDC
74124	FASTRAX_CONFIG	Configuration Software for Eneo Fastrax, Minitrax Dome Cameras and VKC-1416
74089	EDC-CR1	Converter RS-232/RS-485, Repeater RS-485
74163	EDC-AKS2	Power&Connection Box with Connection Cable 3.5m, In/Outdoor, 230V-24VAC/3.0A
74095	EDC-PBP	Protocol Converter BiPhase to RS-422, RS-485 for EDC Dome Cameras, 12VDC
74154	EDC-IDFSW	Flush Mount Dome Housing, White Trimring Smoked Bubble 6.8"

Technical drawing



Maße/Dimensions: mm

SLD Security & Communications
The Old Forge, Ockham Lane, Ockham, Surrey GU236PH England
Phone +44.1483225633 · Fax +44.1483225634
sales@sld.co.uk · www.sld.co.uk

