

# EDC-4362

Home | Security | Dome Cameras | PTZ

EDC-4362

1/4" Dome, PTZ, Day&Night, clear, 36x,

3.4-122.4mm, WDR, BLC, 540TVL, 24VAC

**Art-Nr. 74224**



## Main Features

High resolution colour/b&w (ExView CCD)	Pattern, tour and autopan function
Wide dynamic range (WDR)	240 presets
Auto calibration (0.1°-6°)	Digital image stabilization (DIS)
36x optical and 12x digital zoom (432 total)	Video analysis: Motion trace, counting, enter, etc
Removable IR cut filter (ICR)	RS-485/RS-422 control interface
High and low speed shutter control (MES/ESC/DSS)	Supply voltage: 18 to 30VAC, 50/60Hz

## Specifications

Series	eneo Fastrax IV
Video standard	CCIR/PAL
System	day&night
Sensor size	1/4"
Imager	CCD, Sony ExView HAD Interline Transfer
Synchronization	Internal/AC line lock, phase adjustment via remote control
Signal-to-noise ratio	50dB
Sensitivity (at 50% video signal)	0,3 Lux, (colour), 0.1Lux (B&W) at F1.2 (measured)
Exposure modes	automatic or manual mode, Iris priority, Shutter priority
Horizontal resolution	540 TVL
Automatic gain control (AGC)	ON/OFF switchable
Shutter modes	High and Low Speed shutter
Manual electronic shutter (MES)	1/50 ~ 1/10.000sec.

# EDC-4362

(Continuation Specifications)

<b>Shutter speed (AES/MES)</b>	Automatic/manual: 1/3 ~1/10,000sec. (PAL)
<b>Low speed shutter</b>	yes, 2 ~50 fps.
<b>Digital Noise Reduction (DNR)</b>	no
<b>Mirror function</b>	180° rotation
<b>White balance</b>	modes: manually, automatic, indoor, outdoor, ATW, AWC
<b>Backlight compensation</b>	BLC, center weighted (ON/OFF switchable)
<b>Wide Dynamic Range (WDR)</b>	yes, ON/OFF switchable
<b>Aperture Correction (APC)</b>	horizontal and vertical
<b>IR cut filter</b>	switchable
<b>Speed (manual control)</b>	380 °/Sek.
<b>Speed range at manual control (pan)</b>	0.1° ~380°/sec. (Proportional to zoom)
<b>Speed range at manual control (tilt)</b>	0.1° ~90°/sec. (Proportional to the zoom position)
<b>Preset speed</b>	380 °/Sek.
<b>Rotation range</b>	360°
<b>Tilt range</b>	180° (Digital Flip)
<b>Preset positioning</b>	240 presets with camera status (12-character title display)
<b>Freeze function</b>	The image will be frozen during calling preset
<b>Backlash</b>	0.2°
<b>Patterns</b>	8 patterns up to 500sec.
<b>Tours</b>	up to 8 programmable guard tours, consisting of 42 presets each and up to 12 character title display
<b>Autoscan</b>	16 User programmable auto scans with 13 selectable speeds and 12 character title display
<b>Proportional pan and tilt</b>	continually decreases pan and tilt speeds in proportion to depth of zoom
<b>Auto flip function</b>	rotates dome 180° at bottom of tilt travel
<b>Programmable park position</b>	included
<b>Auto calibration</b>	yes
<b>Privacy zones masking</b>	8 zones masking with block or video OFF option
<b>Zones</b>	16 each with programmable 12 character label
<b>Video outputs</b>	composite (CVBS), 1Vp-p (C)VBS, 75ohms, BNC
<b>Lens type</b>	zoom
<b>Lens</b>	F1.6 ~F75/3.4 ~122.4mm (36x optical, 12x digital zoom)
<b>Focal length</b>	3,4 mm - 122,4 mm
<b>Horizontal angle of view</b>	57,8° - 1,7°
<b>Digital zoom</b>	12x
<b>Aperture range (F)</b>	F1.6~F4.5
<b>Focus control</b>	Automatic with manual override
<b>Iris control</b>	DC, auto iris, Manual override
<b>MOD (Minimum object distance)</b>	1,0 m
<b>Alarm inputs</b>	8, selectable between NO and NC

# EDC-4362

(Continuation Specifications)

<b>Alarm outputs</b>	4
<b>Alarm processing</b>	Programmable alarm action with selectable priority levels
<b>Illumination</b>	no
<b>Activity detection</b>	yes
<b>Motion detector</b>	in preset mode only
<b>Analysis Functions</b>	trip wire, motion tracking, enter, left luggage recognition, removal (object disappearing or removing), activity detection
<b>Menu languages</b>	German, English, French, Italian, Polish, Portugese, Spanish, Russian, Korean, Japanese, Chinese
<b>OSD function control</b>	4:3/16:9 compression, Zoom (4:3 format only), BIB (Video A/B or Y/C)
<b>Text display</b>	12 character labels
<b>Camera ID</b>	Via ID no.
<b>Day / Night Switching</b>	Automatic/Day/Night
<b>External adjustments</b>	menu, ID, Baud rate, Termination and protocol type switches
<b>Operation protection</b>	Password protected
<b>Backup</b>	Non-volatile back box memory stores all camera and site-specific dome settings
<b>Adresses</b>	Up to 999 Dome ID's (3999 by software setting)
<b>Keyboard control</b>	Direct mode control with Eneo EDC-KBD(M), KBD-2, KBD-NSC-100 keyboard series, or in conjunction with the eneo DVR series DLR, DTR and DPR
<b>Remote control</b>	Camera remote settings via keyboard
<b>Serial interfaces</b>	RS-485, RS-422, 9600Baud (default), 99 camera ID addresses selectable
<b>Serial interfaces protocols</b>	Fastrax IIE, Pelco D, Pelco P, Coaxitron, Sensormatic RS-422, Vicon, Ernitec, Bosch, Dynacolor
<b>Temperature range (operation)</b>	0°C ~+50°C
<b>Heater</b>	no
<b>Protection rating</b>	n/a
<b>Supply voltage</b>	24VAC, (18 ~30VAC), 50/60Hz
<b>Power consumption</b>	20W
<b>Vandalism resistant</b>	no
<b>Bubble</b>	4.9" (125mm), clear acrylic plastic
<b>Colour (bubble)</b>	clear
<b>Mounting</b>	ceiling mount, housing assy
<b>Housing</b>	indoor
<b>Housing material</b>	plastic
<b>Colour (housing)</b>	black
<b>Dimensions (HxWxD)</b>	see drawing
<b>Weight</b>	1.25kg
<b>Parts supplied</b>	Clear bubble

# EDC-4362

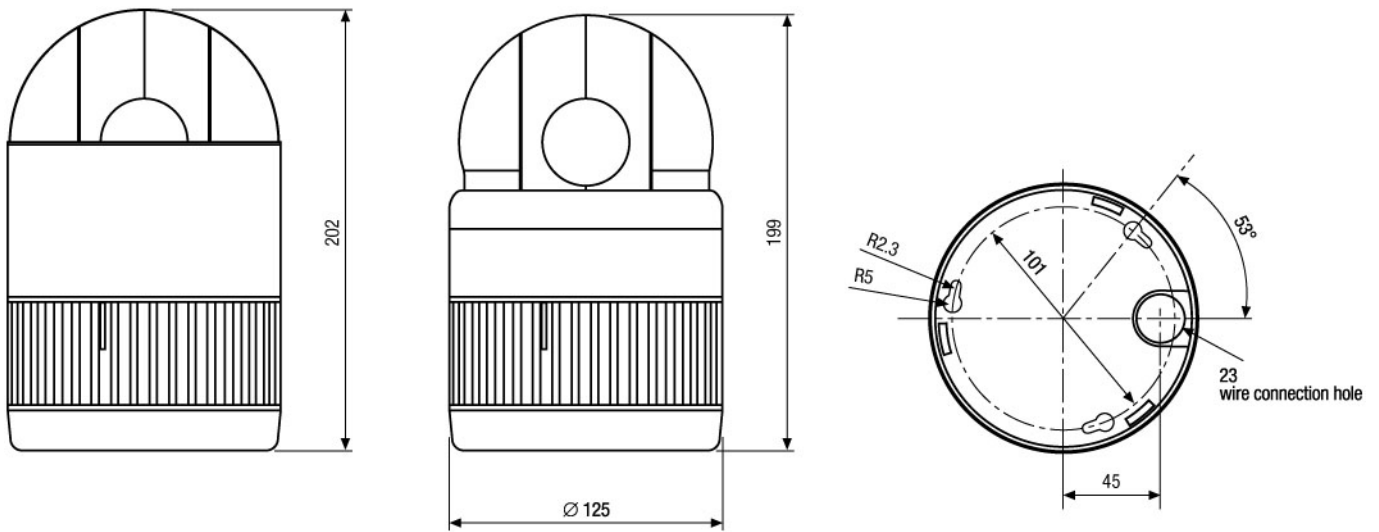
(Continuation Specifications)

<b>Certificates</b>	CE
<b>Special feature</b>	Auto calibration

## Optional accessories

70449	NE-128	Voltage supply unit 230V/24VAC-5A, IP66
74149	KBD-2	System Keyboard with 3-Axis Joystick and Jog Shuttle, 12VDC
74092	EDC-KBDM-3	System Keyboard w. Joystick, 5" Monitor 12VDC, Fastrax Protocol
74088	EDC-KBD1	System Keyboard with 3-axis Joystick, 12VDC
74134	EDC-IPS-2/24V	Pendant Mount Indoor Dome Housing with Tinted Bubble 6.5", 24VAC
74130	EDC-OPC-2/24V	Pendant Mount Outdoor Dome Housing, Sun Shield, Clear Bubble 6.5", 24VAC
74136	EDC-OPS-2/24V	Pendant Mount Outdoor Dome Housing with Sunshield, Tinted Bubble 6.5", 24VAC
74135	EDC-IPC-2/24V	Pendant Mount Indoor Dome Housing with Clear Bubble 6.5", 24VAC
70527	NE-132/AC24V	Power Supply Unit 230VAC/24VAC (1.0A)
74746	KBD-NSC-100	Network System Controller with 3-Axis Joystick and Jog Shuttle, 5VDC
74124	FASTRAX_CONFIG	Configuration Software for Eneo Fastrax, Minitrax Dome Cameras and VKC-1416
74089	EDC-CR1	Converter RS-232/RS-485, Repeater RS-485
74163	EDC-AKS2	Power&Connection Box with Connection Cable 3.5m, In/Outdoor, 230V-24VAC/3.0A
74095	EDC-PBP	Protocol Converter BiPhase to RS-422, RS-485 for EDC Dome Cameras, 12VDC
74154	EDC-IDFSW	Flush Mount Dome Housing, White Trimring Smoked Bubble 6.8"

## Technical drawing



Maße/Dimensions: mm

SLD Security & Communications  
The Old Forge, Ockham Lane, Ockham, Surrey GU236PH England  
Phone +44.1483225633 · Fax +44.1483225634  
sales@sld.co.uk · www.sld.co.uk

