

# EDC-AKS1

Home | Security | Dome Cameras | Accessories

EDC-AKS1  
Power&Connection Box with Mounting Bracket for In/Outdoor,  
230V-24VAC/3.0A

**Art-Nr. 74125**



## Main Features

Power & connection for EDC-2 dome camera housings  
Input voltage: 230VAC  
Output: 24VAC/3.0A  
Signal, data and alarm loop-tru terminals inside

Weatherproof die-cast aluminium wall mount box  
Box includes turnable mounting arm  
Protection rating: IP66

## Specifications

Colour	Pantone Cool Gray 1C
Output voltage	24 ~28VAC
Weight	3.8kg
Output current	3A max. (24VAC)
Alarm inputs	4
Alarm outputs	2 (NO/NC)
Cable entries	3 glands (2x M16x1.5mm, PG16)
Internal connections	terminal connectors for: 230VAC, 24VAC, RS-485, alarm in/output, etc.
Protection rating	IP66
Supply voltage	230VAC/50Hz
Power consumption	80watts
Temperature range	-40°C ~+50°C
Housing	aluminium
Dimensions (HxWxD)	see drawing
Parts supplied	Power & connection box, Fixing screw and tool set, manual

# EDC-AKS1

(Continuation Specifications)

## Certificates

CE

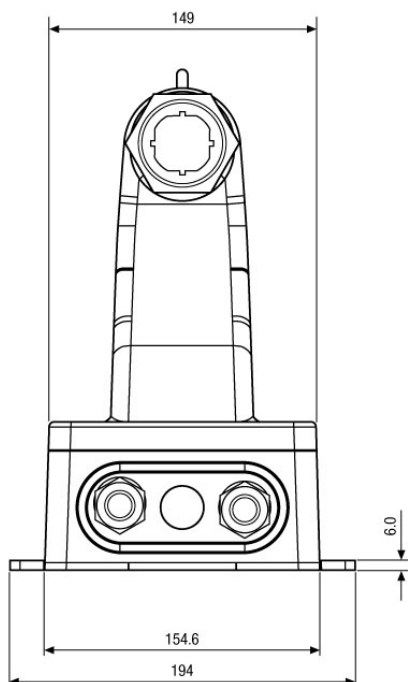
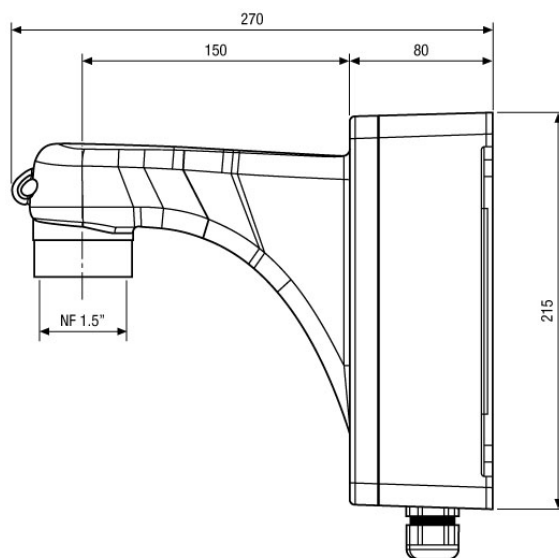
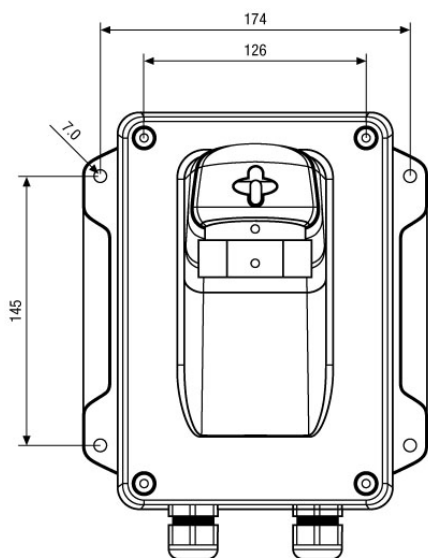
## Optional accessories

74055	EDC-PM7	Pole Mount Adapter for EDC-IPx1/OPx1 Housings and Wall Bracket EDC/WMB1
74138	EDC-AKS1/MP	Adapter Plate for Fixation of EDC-AKS1 to EDC-PM7 or EDC-CMA2
74054	EDC-CMA2	Corner Mount Adapter for EDC-IPx1/OPx1 Housings and Wall Bracket EDC/WMB1
74143	EDC-OPX/IPX-CC1	Connection cable for EDC-xxx-2 Fastrax III, Standard Domes in In/Outdoor Housing

# EDC-AKS1

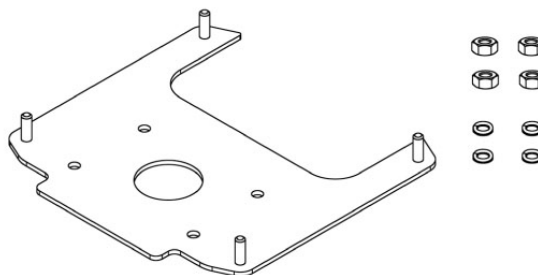
Home | Security | Dome Cameras | Accessories

## Technical drawing



Adapterplatte #74138 für Mastmontage in Verbindung mit Kit #74055, oder Eckmontage mit Kit #74054

Adapter plate #74138 for pole mount in connection with kit #74055, or corner mount with kit #74054



Maße/Dimensions: mm

SLD Security & Communications  
The Old Forge, Ockham Lane, Ockham, Surrey GU236PH England  
Phone +44.1483225633 · Fax +44.1483225634  
sales@sld.co.uk · www.sld.co.uk

