

EDC-IDFSW

Home | Security | IP Dome Cameras | Accessories

EDC-IDFSW

Flush Mount Dome Housing,

White Trimring Smoked Bubble 6.8"

Art-Nr. 74154



SLD Security & Communications

Main Features

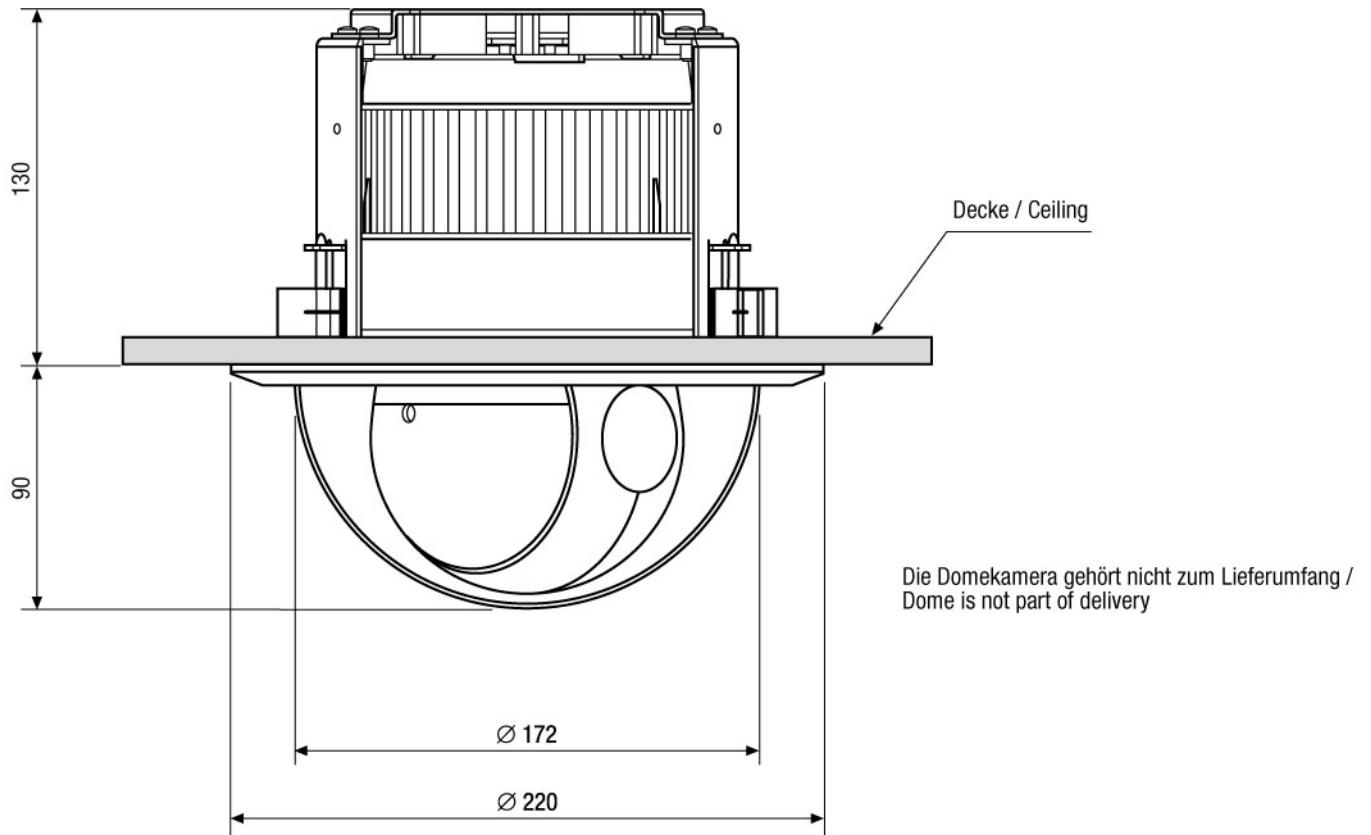
In-ceiling mount housing for ceiling tile assy.
For dome cameras of Fastrax Series I - III

6.8" (172mm) smoked bubble

Specifications

Assembling	In-ceiling (suspended ceiling tiles up to 2.4cm thickness)
Colour	White trimring
Camera fixing	dome
Weight	approx. 300g
Heater	no
Protection rating	n/a
Load capacity	approx. 3kg
Mounting	housing assy
Vandalism resistant	no
Housing	indoor
Housing material	aluminium
Housing	Steel metal, Trimring: aluminium, Bubble: tinted acrylic plastic
Colour (housing)	black
Colour (bubble)	tinted
Parts supplied	Flush mount housing, Trimring, 6.8" tinted camera bubble

Technical drawing



Maße/Dimensions: mm

SLD Security & Communications
The Old Forge, Ockham Lane, Ockham, Surrey GU236PH England
Phone +44.1483225633 · Fax +44.1483225634
sales@sld.co.uk · www.sld.co.uk

SLD Security &
Communications

