

EDC-PM7

Home | Security | IP Dome Cameras | Accessories

EDC-PM7

Pole Mount Adapter for EDC-IPx1/OPx1 Housings and Wall Bracket
EDC/WMB1,

Art-Nr. 74055



SLD Security &
Communications

Main Features

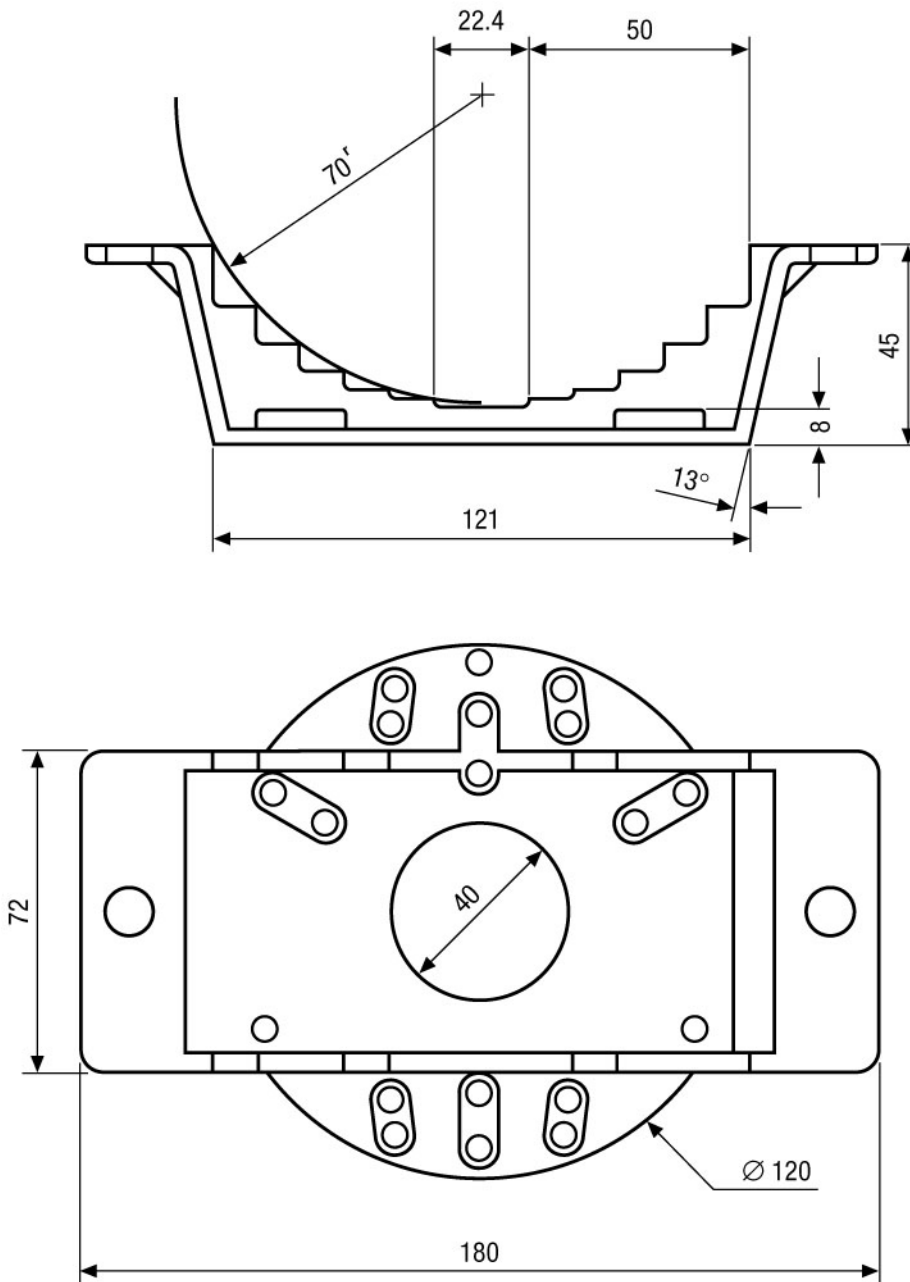
For pole mounting (70-140mm)
Preferable for wall brackets EDC-WMB
Rugged aluminium construction

Colour: Pantone Cool Gray 1C
Ready for installation

EDC-PM7

Home | Security | IP Dome Cameras | Accessories

Technical drawing



Maße/Dimensions: mm

SLD Security & Communications
The Old Forge, Ockham Lane, Ockham, Surrey GU236PH England
Phone +44.1483225633 · Fax +44.1483225634
sales@sld.co.uk · www.sld.co.uk

