

EDC-RTB2

Home | Security | IP Dome Cameras | Accessories

EDC-RTB2
Pole & Roof Mount Bracket for Fastrax 2 outdoor Housings & EDCH,



Art-Nr. 74140



Main Features

Roof and pole mount goose neck bracket
For Fastrax 2 & EDCH dome housings
Rugged aluminium construction

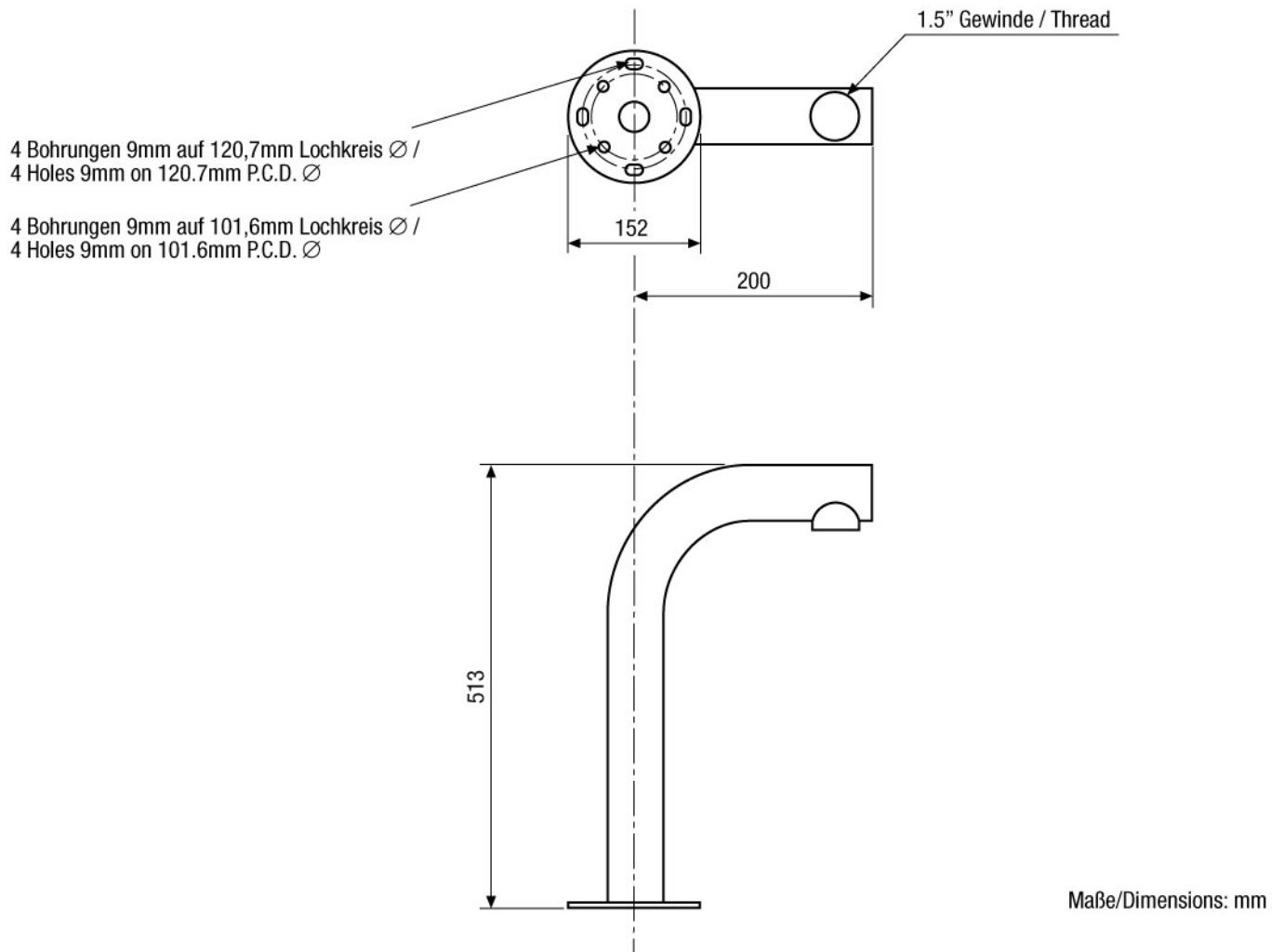
Full cable management support
Ready for installation

Specifications

Colour

RAL9002

Technical drawing



SLD Security & Communications
The Old Forge, Ockham Lane, Ockham, Surrey GU236PH England
Phone +44.1483225633 · Fax +44.1483225634
sales@sld.co.uk · www.sld.co.uk

