

# EDC-WMB1

Home | Security | IP Dome Cameras | Accessories

EDC-WMB1  
Wall Mount for EDC(H) Dome Cameras with Mounting Kit,

Art-Nr. 74127



## Main Features

For wall mounting of dome camera series EDC(H)  
Hidden cable harness  
Rugged aluminium construction

Swivel head with large adjustment range  
Ready for installation

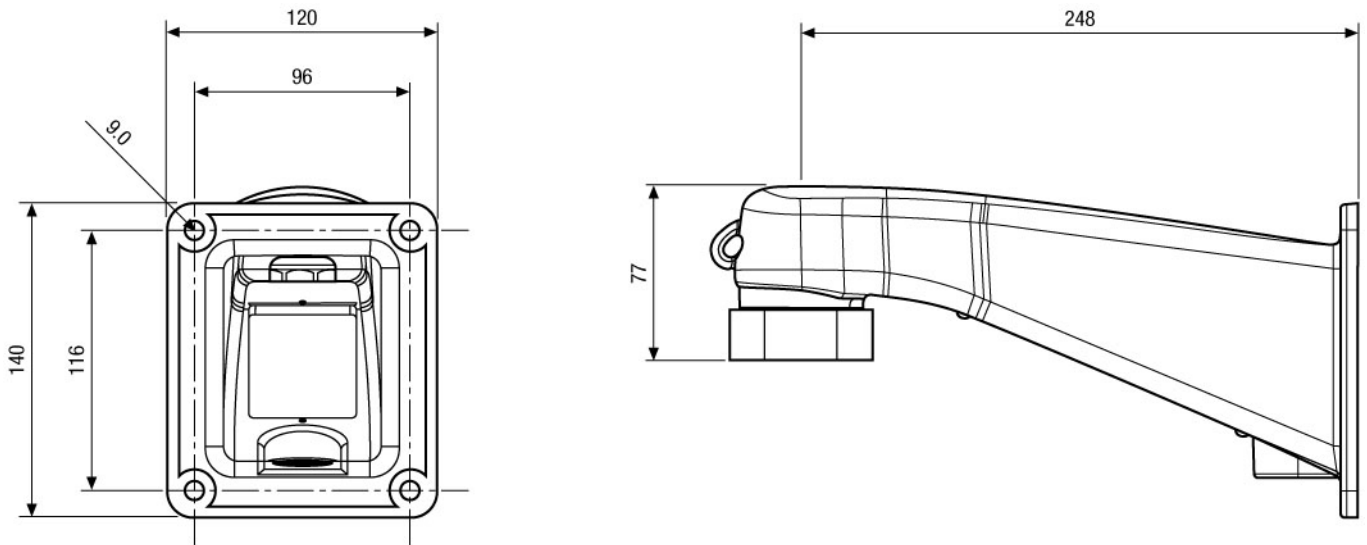
## Optional accessories

74055	EDC-PM7	Pole Mount Adapter for EDC-IPx1/OPx1 Housings and Wall Bracket EDC/WMB1
73155	EDC-CMA3	Corner Mount Adapter for Fastrax Wall Bracket EDC-WMB1, Steel Metal
74054	EDC-CMA2	Corner Mount Adapter for EDC-IPx1/OPx1 Housings and Wall Bracket EDC/WMB1

# EDC-WMB1

Home | Security | IP Dome Cameras | Accessories

## Technical drawing



Maße/Dimensions: mm

SLD Security & Communications  
The Old Forge, Ockham Lane, Ockham, Surrey GU236PH England  
Phone +44.1483225633 · Fax +44.1483225634  
sales@sld.co.uk · www.sld.co.uk

