

EDMC-142

Home | Security | Dome Cameras | PTZ

EDMC-142
1/4" Mini Dome, PTZ, Colour, clear, 10x, 430TVL,

24VAC

Art-Nr. 74116



Main Features

1/4" vandal resistant PTZ colour dome camera
10x optical and 10x digital zoom (100x total)
Zoom lens: F1.6/3.15-31.5mm
Horizontal pan range: 0 to 359°
Horizontal speed range up to 120°/sec.
60 presets / 4 auto scan courses

4 tours with 4 presets each / Home position
On-screen menu control and camera ID display
High speed shutter (MES/ESC)
Automatic and manual white balance (ATW)
RS-485 Control Interface
Supply Voltage: 12VDC or 24VAC

Specifications

Series	eneo Minitrax
Video standard	PAL
System	colour
Sensor size	1/4"
Imager	CCD, Sony Super HAD Interline Transfer
Synchronization	Internal/AC line lock
Signal-to-noise ratio	48dB
Sensitivity (at 50% video signal)	0,85 Lux, at F1.2 (measured)
Exposure modes	automatic or manual mode, Iris priority, Shutter priority
Horizontal resolution	430 TVL
Digital signal processing (DSP)	Yes
Automatic gain control (AGC)	Automatic, 30dB max. (On/Off switchable)
Automatic electronic shutter (ESC)	1/50 ~ 1/10,000sec., automatic and manual

EDMC-142

(Continuation Specifications)

Low speed shutter	no
Digital Noise Reduction (DNR)	no
White balance	modes: manually, automatic, indoor, outdoor
Backlight compensation	BLC, ON/OFF switchable
Wide Dynamic Range (WDR)	no
IR cut filter	standard
Speed (manual control)	120 °/Sek.
Preset speed	120 °/Sek.
Rotation range	359°
Tilt range	0° ~90°
Preset positioning	60 presets
Backlash	+/-0.1°
Tours	up to 4 user programmable guard tours with 16 presets each
Autoscan	4 User programmable auto scans. Speed: 7°/sec
Video outputs	composite (CVBS), 1Vp-p, CVBS, 75ohms, BNC
Lens type	zoom
Lens	F1.6~F32/3.15 ~31.5mm (10x optical, 10x digital zoom)
Focal length	3,15 mm - 31,5 mm
Horizontal angle of view	60° - 6,5°
Digital zoom	1x ~10x
Focus control	Automatic with manual override
Iris control	auto iris, Manual override
MOD (Minimum object distance)	1 m
Alarm inputs	1
Alarm outputs	-
Alarm processing	Runs to pre-selected position
Illumination	no
Activity detection	no
Picture adjustments	Brightness (15 steps), Sharpness (90 steps), Mirroring
Menu languages	English
Text display	supplied
Operation protection	Available
Adresses	Up to 63 Dome ID's
Keyboard control	Direct mode control with Eneo EDC-KBD(M), KBD-2, KBD-NSC-100 keyboard series, or in conjunction with the eneo DVR series DLR, DTR and DPR
Remote control	Camera remote settings via keyboard
Serial interfaces	RS-485, 63 camera ID addresses selectable. Control via the eneo keyboard EDC-KBD(M), 9600Baud, and Pelco D protocol (2400Baud)
Temperature range (operation)	-10°C ~+50°C

EDMC-142

(Continuation Specifications)

Heater	no
Temperature range with built-in heater	-20°C ~+50°C
Protection rating	IP65, at installation according to the manual
Supply voltage	12VDC, 24VAC
Power consumption	10.0watts max.
Vandalism resistant	yes
Bubble	3.9"(99mm), clear acrylic plastic
Colour (bubble)	clear
Camera mount	Ceiling mount or using EDMC/CWB-1 wall and ceiling bracket
Mounting	ceiling mount, wall mount
Housing	outdoor
Housing material	aluminium
Colour (housing)	Pantone Cool Gray 1C
Dimensions (HxWxD)	see drawing
Weight	1.3kg
Parts supplied	Screw set (screws with O ring), Torx key, Drilling template, Manual
Certificates	CE

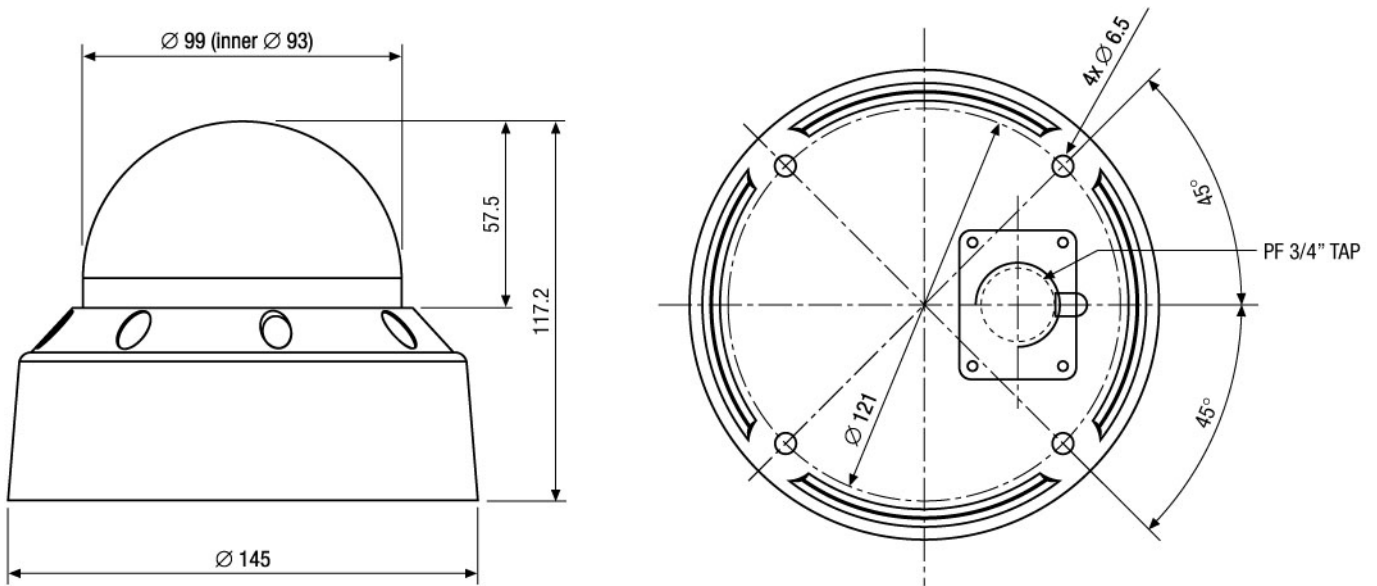
Optional accessories

70449	NE-128	Voltage supply unit 230V/24VAC-5A, IP66
74149	KBD-2	System Keyboard with 3-Axis Joystick and Jog Shuttle, 12VDC
74092	EDC-KBDM-3	System Keyboard w. Joystick, 5" Monitor 12VDC, Fastrax Protocol
74088	EDC-KBD1	System Keyboard with 3-axis Joystick, 12VDC
74155	EDMC/CWB-1	Wall or Pendant Mount Kit f. Dome Camera Series EDMC, NTD, NLD, NXD & VKCD-1375
70527	NE-132/AC24V	Power Supply Unit 230VAC/24VAC (1.0A)
74746	KBD-NSC-100	Network System Controller with 3-Axis Joystick and Jog Shuttle, 5VDC
74099	EDMC/H12	Low Voltage Heater Kit 12V/10W for Minitrax Series, NLD-1401, NXD-130x/140x
74124	FASTRAX_CONFIG	Configuration Software for Eneo Fastrax, Minitrax Dome Cameras and VKC-1416
74089	EDC-CR1	Converter RS-232/RS-485, Repeater RS-485
74094	EDC-COAX	Coax Telemetry Board for VPT-501/601, EDC/EDMC Series assembled
74104	EDMC/H24	Low Voltage Heater Kit 24V/10W for EDMC- 142, VKCD-1410, NLD-1401, NXD-130x/140x

EDMC-142

Home | Security | Dome Cameras | PTZ

Technical drawing



Maße/Dimensions: mm

SLD Security & Communications
The Old Forge, Ockham Lane, Ockham, Surrey GU236PH England
Phone +44.1483225633 · Fax +44.1483225634
sales@sld.co.uk · www.sld.co.uk

