

# EDMC-3221

Home | Security | Dome Cameras | PTZ

EDMC-3221  
1/4" Dome, PTZ, Day&Night, clear, 22x, 3.9-85.8mm,  
WDR, 580TVL, 12VDC/24VAC

**Art-Nr. 74225**



## Main Features

Vandal resistant PTZ day&night mini dome camera  
Zoom lens: F1.6/3.9-85.8mm  
Panning angle: 360° continuous rotation  
Horizontal speed range: 380°/sec. max.  
120 presets / 4 auto scan courses / Autopan  
4 tours with 4 presets each / Home position

On-screen menu control and camera ID display  
Removable IR cut filter  
High and low speed shutter (MES/DSS)  
Powerful digital noise reduction (3D/2D DNR)  
RS-485 Control Interface  
Supply Voltage: 12VDC or 24VAC

## Specifications

Series	eneo Minitrax
Video standard	CCIR/PAL
System	day&night
Sensor size	1/4"
Imager	CCD, Sony ExView HAD Interline Transfer
Synchronization	internal, AC line lock
Sensitivity (at 50% video signal)	0,33 Lux, (colour); 0.17Lux (B&W) at F1.2 (measured)
Exposure modes	automatic, shutter priority, manual
Horizontal resolution	580 TVL
Automatic electronic shutter (ESC)	1/50 ~ 1/100,000sec.
Manual electronic shutter (MES)	1/50 ~ 1/100,000sec.
Low speed shutter	yes, 2 ~50 fps.
Digital Noise Reduction (DNR)	yes, 2D & 3D

# EDMC-3221

(Continuation Spezifications)

<b>Flickerless function</b>	yes
<b>Mirror function</b>	180° rotation
<b>White balance</b>	manual, automatic, indoor, outdoor
<b>Backlight compensation</b>	BLC, ON/OFF switchable
<b>Wide Dynamic Range (WDR)</b>	yes, 54dB
<b>Aperture Correction (APC)</b>	horizontal and vertical
<b>IR cut filter</b>	switchable
<b>Speed (manual control)</b>	380 °/Sek.
<b>Speed range at manual control (pan)</b>	0.1° ~380°/sec. (Proportional to zoom)
<b>Speed range at manual control (tilt)</b>	0.1° ~200°/sec. (Proportional to zoom)
<b>Preset speed</b>	380 °/Sek.
<b>Rotation range</b>	360°
<b>Tilt range</b>	180° (Digital Flip)
<b>Preset positioning</b>	120 presets with 12-character labels each, individuel camera position
<b>Patterns</b>	4 patterns up to 200sec. total
<b>Tours</b>	up to 4 user programmable guard tours
<b>Autoscan</b>	4 User programmable auto scans, 1x Autopan
<b>Proportional pan and tilt</b>	continually decreases pan and tilt speeds in proportion to depth of zoom
<b>Auto flip function</b>	rotates dome camera's picture by 180° at bottom of tilt travel (Digital Flip)
<b>Programmable park position</b>	included (with multiple park actions)
<b>Auto calibration</b>	yes
<b>Privacy zones masking</b>	4 zones masking with block or video OFF option
<b>Video outputs</b>	composite (CVBS), 1Vp-p (C)VBS, 75ohms, BNC
<b>Lens type</b>	zoom
<b>Focal length</b>	3,9 mm - 85,8 mm
<b>Horizontal angle of view</b>	44,6° - 3,2°
<b>Digital zoom</b>	16x
<b>Aperture range (F)</b>	F1.6 (3.7) ~F140
<b>Iris control</b>	DC
<b>MOD (Minimum object distance)</b>	1,0 m
<b>Alarm outputs</b>	1
<b>Illumination</b>	no
<b>Activity detection</b>	yes
<b>Motion detector</b>	in preset mode only
<b>Analysis Functions</b>	no
<b>Menu languages</b>	German, English, French, Italian, Spanish, Polish, Portugese
<b>OSD function control</b>	OSD camera setup
<b>Text display</b>	12 character labels, ON/OFF switchable
<b>External adjustments</b>	ID, Baud rate, termination, protocol type

# EDMC-3221

(Continuation Specifications)

Serial interfaces	RS-485
Serial interfaces protocols	Fastrax IIE, Pelco D, Pelco P
Temperature range (operation)	-10°C ~+50°C
Heater	no
Blower	yes
Protection rating	IP66
Supply voltage	12VDC, 24VAC, (+/-10%)
Power consumption	12W
Vandalism resistant	yes
Bubble	4.3" (110mm), Acryl/clear
Colour (bubble)	clear
Mounting	ceiling mount
Housing	outdoor
Housing material	aluminium
Colour (housing)	Pantone Cool Gray 1C
Dimensions (HxWxD)	see drawing
Parts supplied	dome camera, mounting plate, bag of screws, plug set, manual
Certificates	CE, IK10

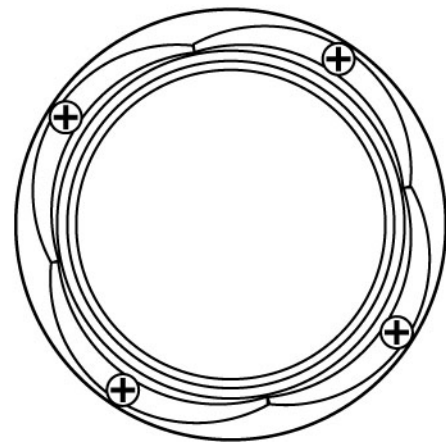
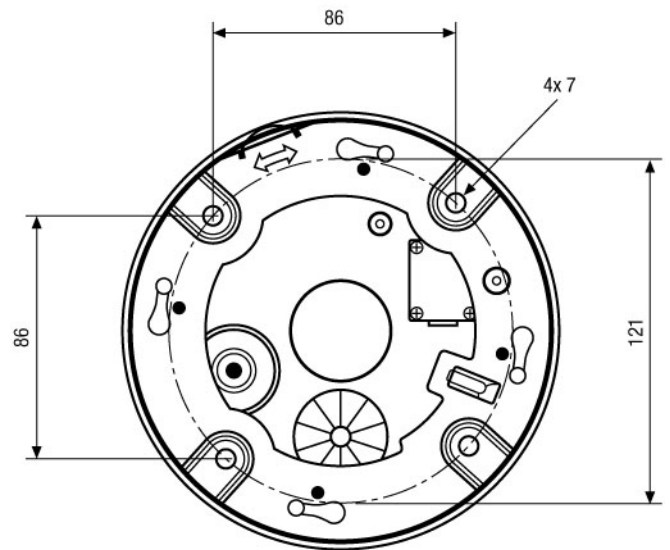
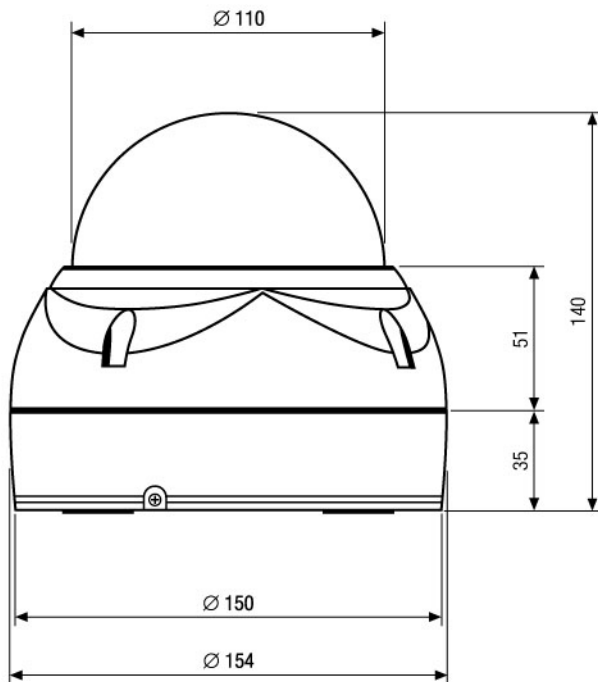
## Optional accessories

70449	NE-128	Voltage supply unit 230V/24VAC-5A, IP66
74149	KBD-2	System Keyboard with 3-Axis Joystick and Jog Shuttle, 12VDC
74092	EDC-KBDM-3	System Keyboard w. Joystick, 5" Monitor 12VDC, Fastrax Protocol
74088	EDC-KBD1	System Keyboard with 3-axis Joystick, 12VDC
74155	EDMC/CWB-1	Wall or Pendant Mount Kit f. Dome Camera Series EDMC, NTD, NLD, NXD & VKCD-1375
70527	NE-132/AC24V	Power Supply Unit 230VAC/24VAC (1.0A)
74746	KBD-NSC-100	Network System Controller with 3-Axis Joystick and Jog Shuttle, 5VDC
74124	FASTRAX_CONFIG	Configuration Software for Eneo Fastrax, Minitrax Dome Cameras and VKC-1416
74094	EDC-COAX	Coax Telemetry Board for VPT-501/601, EDC/EDMC Series assembled
74089	EDC-CR1	Converter RS-232/RS-485, Repeater RS-485

# EDMC-3221

Home | Security | Dome Cameras | PTZ

## Technical drawing



Maße/Dimensions: mm

SLD Security & Communications  
The Old Forge, Ockham Lane, Ockham, Surrey GU236PH England  
Phone +44.1483225633 · Fax +44.1483225634  
sales@sld.co.uk · www.sld.co.uk

