

# EDMC/CWB-1

Home | Security | Dome Cameras | Accessories

EDMC/CWB-1

Wall or Pendant Mount Kit f. Dome Camera Series EDMC,

NTD, NLD, NXD & VKCD-1375

**Art-Nr. 74155**



## Specifications

<b>Colour</b>	Pantone Cool Gray 1C
<b>Weight</b>	1.2kg
<b>Load capacity</b>	5.0kg
<b>Cable connection</b>	We recommend a multicore cable with approx. 10mm diam., for example the eneo MCAB-1, edp no. 87404
<b>Connection</b>	1"PT thread
<b>Protection rating</b>	IP65 (in conjunction with the cable #87404 only)
<b>Housing</b>	Aluminium, Pipes: Steel

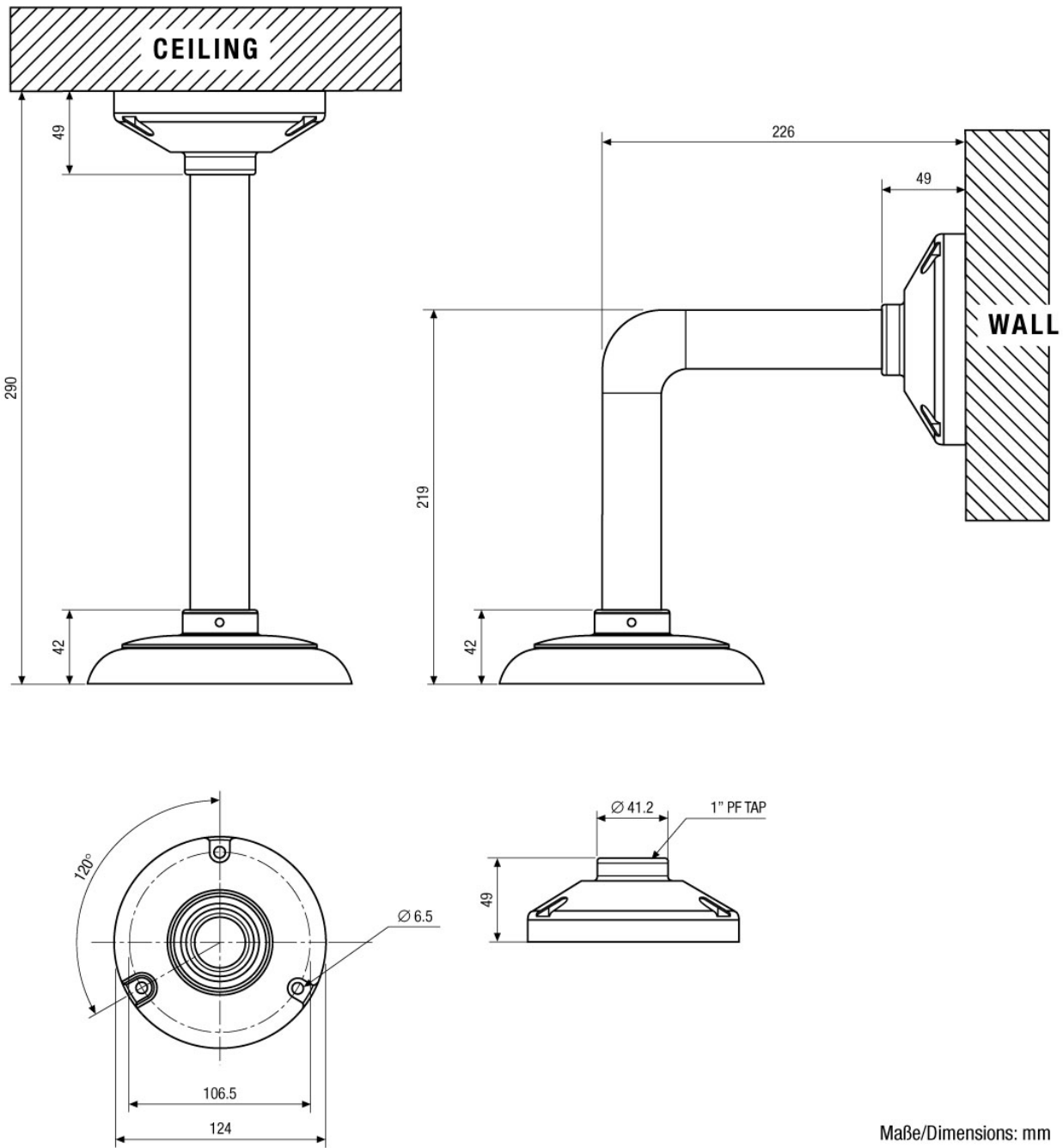
## Optional accessories

<b>74055</b>	<b>EDC-PM7</b>	Pole Mount Adapter for EDC-IPx1/OPx1 Housings and Wall Bracket EDC/WMB1
<b>87404</b>	<b>MCAB-1</b>	Camera/PT Head Connecting Cable, for Video, Power, RS-Control, Network, 1m
<b>74054</b>	<b>EDC-CMA2</b>	Corner Mount Adapter for EDC-IPx1/OPx1 Housings and Wall Bracket EDC/WMB1
<b>74107</b>	<b>EDMC-RTB</b>	Roof Mount Bracket for Minitrax Camera Series, Outdoor Installation

# EDMC/CWB-1

Home | Security | Dome Cameras | Accessories

## Technical drawing



Maße/Dimensions: mm

SLD Security & Communications  
The Old Forge, Ockham Lane, Ockham, Surrey GU236PH England  
Phone +44.1483225633 · Fax +44.1483225634  
sales@sld.co.uk · www.sld.co.uk

