

VPT-40/24V

Home | Security | Pan & Tilt Systems | Fixed Speed

VPT-40/24V
Pan/Tilt Head 24VAC RAL7032,

Art-Nr. 73205



SLD Security &
Communications

Main Features

20 kg Load Capacity
Supply Voltage: 24 VAC
50/60 Hz Operation
Backlash: <math><0,2^\circ</math>
High Torques

Hardened Gears
Rugged Housing
No Maintenance Required
Protection Rating: IP 66
Options: Heater

Specifications

Series	eneo VPT
Load capacity	20 kg, (load assembly in the horizontal and vertical center of gravity required)
Nominal voltage range	24VAC (+20% ~-10%)
Current consumption/motor (at 50 Hz)	285mA
Max. torque at nominal speed	16.5Nm horizontal / 33Nm vertical (Running torques at 50Hz)
Speed at nominal voltage	6°/sec. horizontal, 3°/sec. vertical (at 60 Hz: +20%)
Rotation range	359°, 359°horizontal, +/-90°vertical
Backlash	<math><0.2^\circ</math>
Limit switch control	Internally adjustable (Micro switchers)
Autopan	no
Pattern	no
Positioned freely	no
Potentiometer on both axes	No
Serial interfaces	voltage
Plug connections	7pin socket
Supply voltage	24VAC

VPT-40/24V

(Continuation Specifications)

Temperature range (Operation)	-20°C ~+70°C
Temperature range with built-in heater	-40°C ~+70°C
Heater	optional
Mounting of illuminator possible	optional
Mounting	Upright or upside down
Protection rating	IP66
Housing material	aluminium
Housing	Aluminium frame with plastic covers
Colour (housing)	Eloxal C31
Colour	C31 anodized / RAL7032
Dimensions (HxWxD)	See drawing
Weight	6.5kg
Parts supplied	Screw set, 7-pin connector, Allen key (4mm)

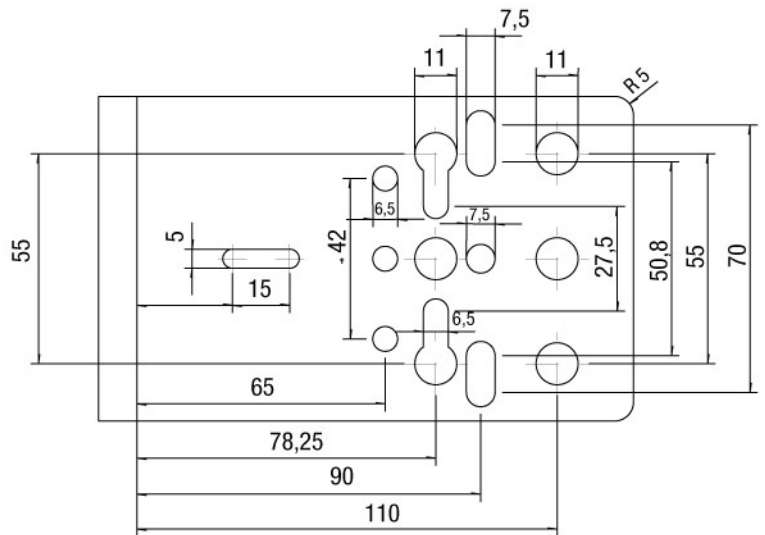
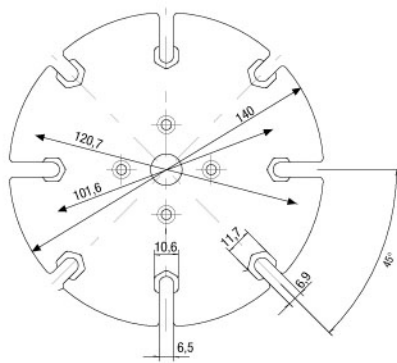
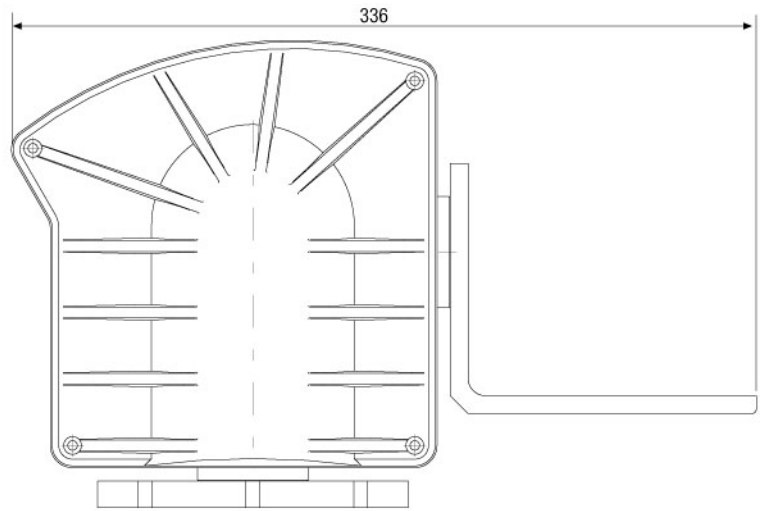
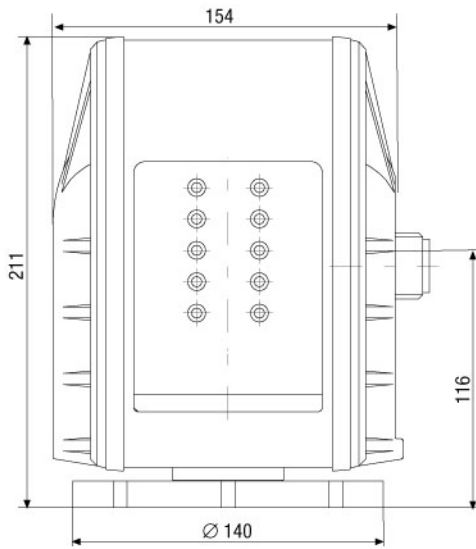
Optional accessories

73099	WD-2N1	Wall Bracket for Pan/Tilt Heads VPT-40/41/42, RAL7032
75354	PTZF/G-EC	Control Unit for Pan/Tilt Head and Lens, 24VAC with Power Supply, RAL7032
73139	MK-21	Pole Column Spacer for Pan/Tilt Heads, 200mm Height, RAL7032
70457	AK-3	Camera Connection box, 230VAC Input 24VAC-100W, 12VDC-1A Output
73152	WD-29	Wall Bracket for Pan/Tilt Heads VPT-40/41/42/501 Series, RAL7032
77488	VPT/IRB-4L	L-Bracket for VPT-40/41/42 RAL7032
77489	VPT/IRB-4T	T-Bracket for VPT-40/41/42 RAL7032
73228	VPT-40/24VHZ-K	Heating Kit for VPT-40/24VAC

VPT-40/24V

Home | Security | Pan & Tilt Systems | Fixed Speed

Technical drawing



Maße/Dimensions: mm

SLD Security & Communications
The Old Forge, Ockham Lane, Ockham, Surrey GU236PH England
Phone +44.1483225633 · Fax +44.1483225634
sales@sld.co.uk · www.sld.co.uk

