

DS-4

Home | Security | Lighting | Accessories

DS-4

Twilight Switch with ON/OFF Delay adjustable Switching Points,

230VAC

Art-Nr. 90056



Main Features

For automatic illuminator ON/OFF switching
Photocell controlled
Switching range: 2 to 200Lux (adjustable)
ON/OFF switching delay

For wall mounting
Switching power: 1200W max.
Protection rating: IP66
Easy installation

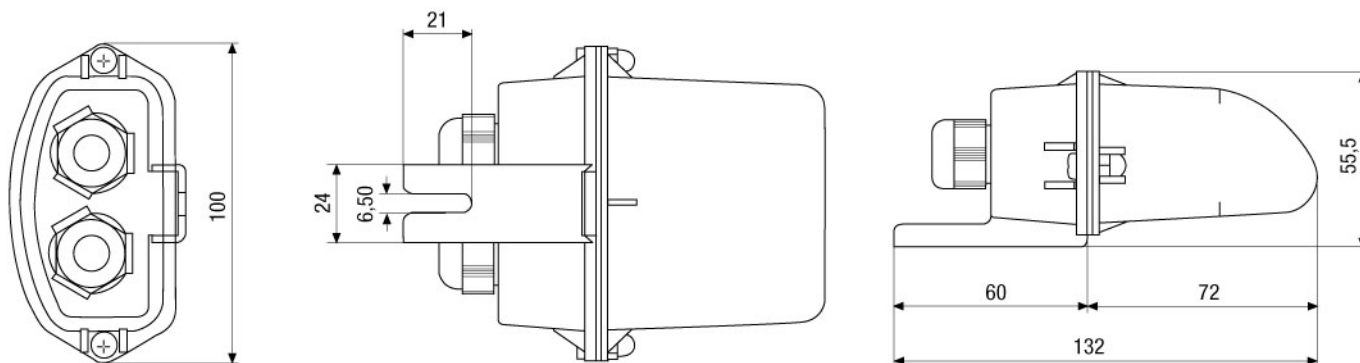
Specifications

| | |
|------------------------|--|
| Weight | 150g |
| In/output voltage | 230VAC / 50Hz |
| Switch-on delay | 7sec. |
| Switch-off delay | 420sec. |
| ON/OFF switching range | 2 ~200Lux |
| Internal adjustments | Potentiometer for ON/OFF switching range |
| LCD display | Displays switch ON status |
| Mains in/outputs | 1 each |
| Switching power | 5A (1200W) |
| Temperature range | -20°C ~+50°C |
| Housing | Grey plastic with clear cover |
| Dimensions (HxWxD) | see drawing |

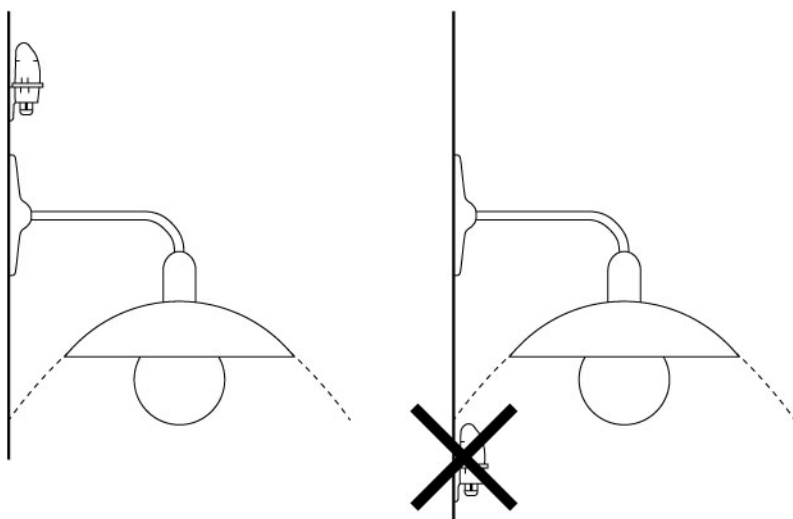
DS-4

Home | Security | Lighting | Accessories

Technical drawing



Maße/Dimensions: mm



SLD Security & Communications
The Old Forge, Ockham Lane, Ockham, Surrey GU236PH England
Phone +44.1483225633 · Fax +44.1483225634
sales@sld.co.uk · www.sld.co.uk

