

IR LED150-A-20

Home | Security | Lighting | Infrared

IR LED150-A-20
LED Infrared Illuminator 850nm, 20°, 200-240VAC,
36W, Twilight Switch

Art-Nr. 71734



Main Features

Spectral emission: 850nm / Beam angle: 20°
130 LEDs with narrow-band light emission
Sensor controlled twilight switch w. IR cut filter
Integral switching power supply with softstart
Power supply: 200 to 240VAC, 50Hz
Efficiency factor: 97% (cos Phi >0.9)

Low self-heating / Vibration-resistant
Extended temperature range components included
Natural-coloured anodized aluminium casing
Protection rating: IP66
Option: fastening, wall and ceiling mount brackets

Specifications

Lamp type	LED
Spectral emission	850 nm
Spectral half-value range	80nm
Angle of light source h	20°
Angle of light source v	20°
Scene coverage	90 m
Twilight switch	yes, 50/130Lux (ON/OFF) sensor controlled. Permanent Illuminator function by sensor covering (adhesive tap supplied) or in case of sensor failure
Temperature related switch-off	At >60°C (system temperature). Automatic restart after falling below the limits
Isolation strength	Class I (leakage path =>4mm)
Efficiency factor	>97% (PSU), Cos Phi: >0,9
Switch-on delay	Softstart

IR LED150-A-20

(Continuation Specifications)

Heating above ambient air temperature	Max. 35°C
Connection	2m Mains connection cable with open ends
Power supply unit	integrated
Protection rating	IP66
Mount	2x Threads M8 for wall kit fixing
Supply voltage	200 ~240VAC +/-10%, 50Hz
Power consumption	36watts
Temperature range (operation)	-30°C ~+50°C
Housing ventilation	Via air vent
Housing	Aluminium with plastic cover
Colour	Housing: anodized silver / Black cover
Dimensions (HxWxD)	see drawing
Weight	1.9kg

Optional accessories

71725	LED-WBSET	Wall Mount Set: Mounting Bracket and Wall Mount Bracket
71722	PM-80	Pole Mount Adapter IR LED-WBSET (80-180mm Pole)

IR LED150-A-20

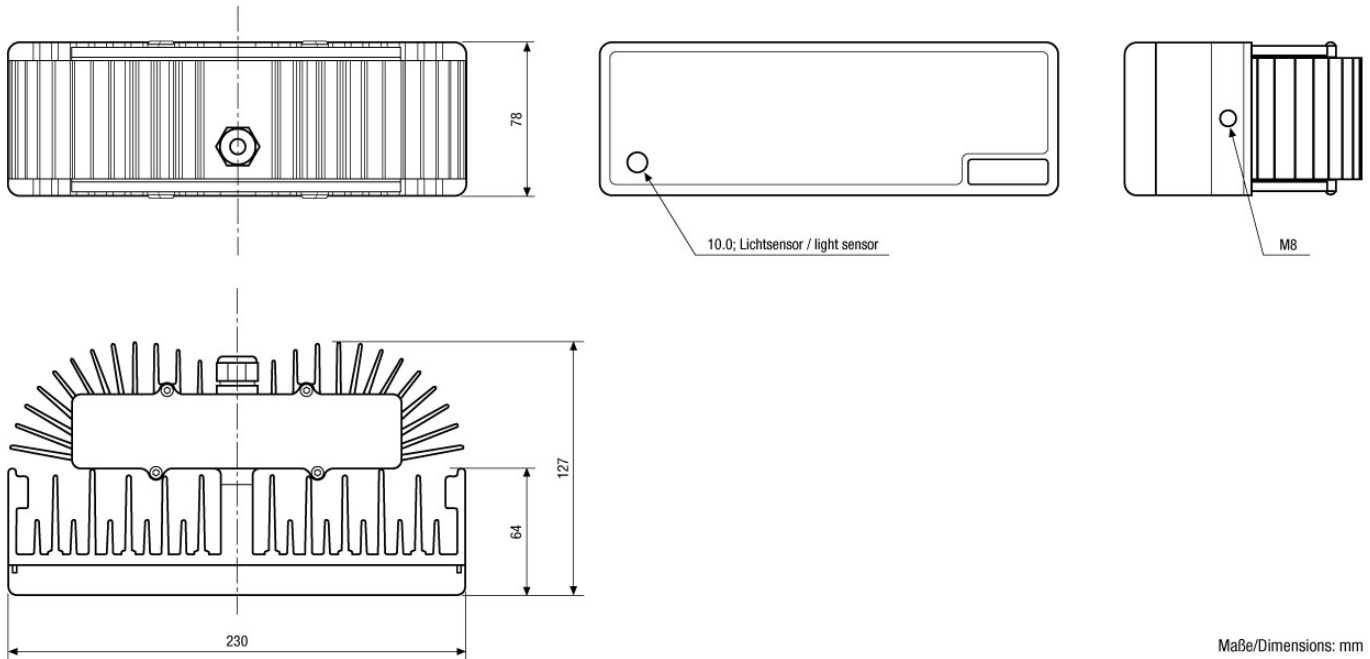
Product information

*) The best result will be achieved on condition that a camera is used with good sensitivity in the infra-red range, a relative lens aperture of F1.4 min. and a mean reflectance factor for spotlight objects.

IR LED150-A-20

Home | Security | Lighting | Infrared

Technical drawing



SLD Security & Communications
The Old Forge, Ockham Lane, Ockham, Surrey GU236PH England
Phone +44.1483225633 · Fax +44.1483225634
sales@sld.co.uk · www.sld.co.uk

