

IR LED150-A-50R

Home | Security | Lighting | Infrared

IR LED150-A-50R
LED Infrared Illuminator 850nm, 50°, 200-240VAC,
36W, Remote Control

Art-Nr. 71735



Main Features

Spectral emission: 850nm / Beam angle: 50°	Efficiency factor: 97% (cos Phi >0.9)
130 LEDs with narrow-band light emission	Low self-heating / Vibration-resistant
Sensor controlled twilight switch w. IR cut filter	Extended temperature range components included
Integral switching power supply with softstart	Natural-coloured anodized aluminium casing / IP66
Power supply: 200 to 240VAC, 50Hz	Plugable power and control input cable
Switch-on input: 5-24VDC / Open collector output	Option: fastening, wall and ceiling mount brackets

Specifications

Lamp type	LED
Spectral emission	850 nm
Spectral half-value range	80nm
Angle of light source h	50°
Angle of light source v	50°
Scene coverage	75 m
Twilight switch	yes, 50/130Lux (ON/OFF) sensor controlled. Permanent Illuminator function by sensor covering (adhesive tap supplied) or in case of sensor failure
Temperature related switch-off	At >60°C (system temperature). Automatic restart after falling below the limits
Isolation strength	Class I (leakage path =>4mm)
Efficiency factor	>97% (PSU), Cos Phi: >0,9
Switch-on delay	Softstart

IR LED150-A-50R

(Continuation Specifications)

Heating above ambient air temperature	Max. 35°C
Trigger input	5 ~24VDC, Ri: 3.9ohms
Relay output	42VDC, 5mA max. (open collector)
Connection	2m flexible connection cables with open ends
Power supply unit	integrated
Protection rating	IP66
Mount	2x Threads M8 for wall kit fixing
Supply voltage	200 ~240VAC +/-10%, 50Hz
Power consumption	36watts
Temperature range (operation)	-30°C ~+50°C
Housing ventilation	Via air vent
Housing	Aluminium with plastic cover
Colour	Housing: anodized silver / Black cover
Dimensions (HxWxD)	see drawing
Weight	1.9kg

Optional accessories

71725	LED-WBSET	Wall Mount Set: Mounting Bracket and Wall Mount Bracket
71722	PM-80	Pole Mount Adapter IR LED-WBSET (80-180mm Pole)

IR LED150-A-50R

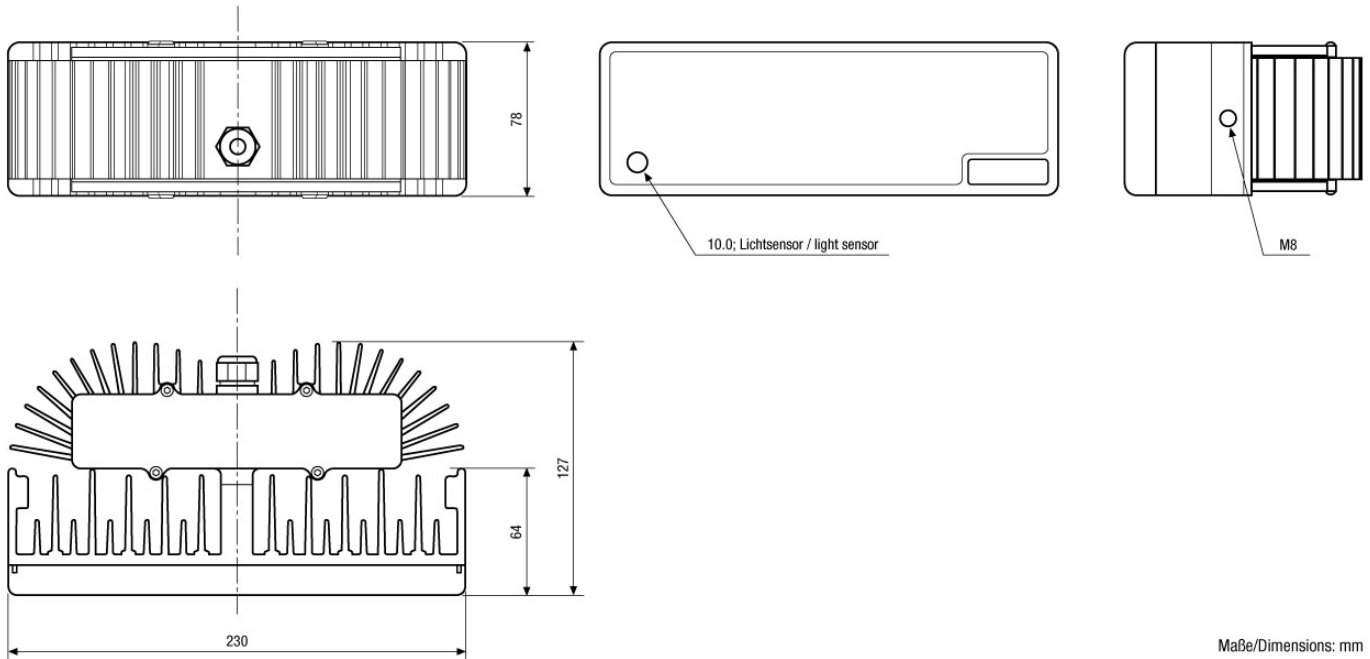
Product information

*) The best result will be achieved on condition that a camera is used with good sensitivity in the infra-red range, a relative lens aperture of F1.4 min. and a mean reflectance factor for spotlight objects.

IR LED150-A-50R

Home | Security | Lighting | Infrared

Technical drawing



SLD Security & Communications
The Old Forge, Ockham Lane, Ockham, Surrey GU236PH England
Phone +44.1483225633 · Fax +44.1483225634
sales@sld.co.uk · www.sld.co.uk

