

W LED300K-25

Home | Security | Lighting | White Light

W LED300K-25
LED White Light Illuminator, 25°, Cold White,
200-240VAC, 120W, Wall Bracket

Art-Nr. 71743



SLD Security &
Communications

Main Features

Colour temperature: 5650K to 7000K (cold white)
Beam angle: 25° (horizontal & vertical)
Luminous Flux: 8500Lumen
Integral switching power supply with softstart
Power supply: 200 to 240VAC, 50Hz
Efficiency factor: 97% (cos Phi >0.9)

Low self-heating / Vibration-resistant
Extended temperature range components included
Natural-coloured anodized aluminium casing
Protection rating: IP66
Wall and ceiling mounting bracket included
Option: pole mounting bracket

Specifications

Lamp type	LED
Colour temperature	5650 ~7000K
Luminous Flux	8500 Lumen
Angle of light source h	25°
Angle of light source v	25°
Scene coverage	175 m
Twilight switch	no
Temperature related switch-off	At >60°C (system temperature). Automatic restart after falling below the limits
Isolation strength	Class I (leakage path =/>4mm)
Efficiency factor	>97% (PSU), Cos Phi: >0,9
Switch-on delay	Softstart
Heating above ambient air temperature	Max. 35°C

W LED300K-25

(Continuation Specifications)

Connection	2m Mains connection cable with open ends
Power supply unit	integrated
Protection rating	IP66
Mount	Wall mount bracket included
Supply voltage	200 ~240VAC +/-10%, 50Hz
Power consumption	120W
Temperature range (operation)	-30°C ~+50°C
Housing ventilation	Via air vent
Housing	aluminium with plastic cover
Colour	Housing: anodized silver / Clear cover
Dimensions (HxWxD)	see drawing
Weight	3.5kg

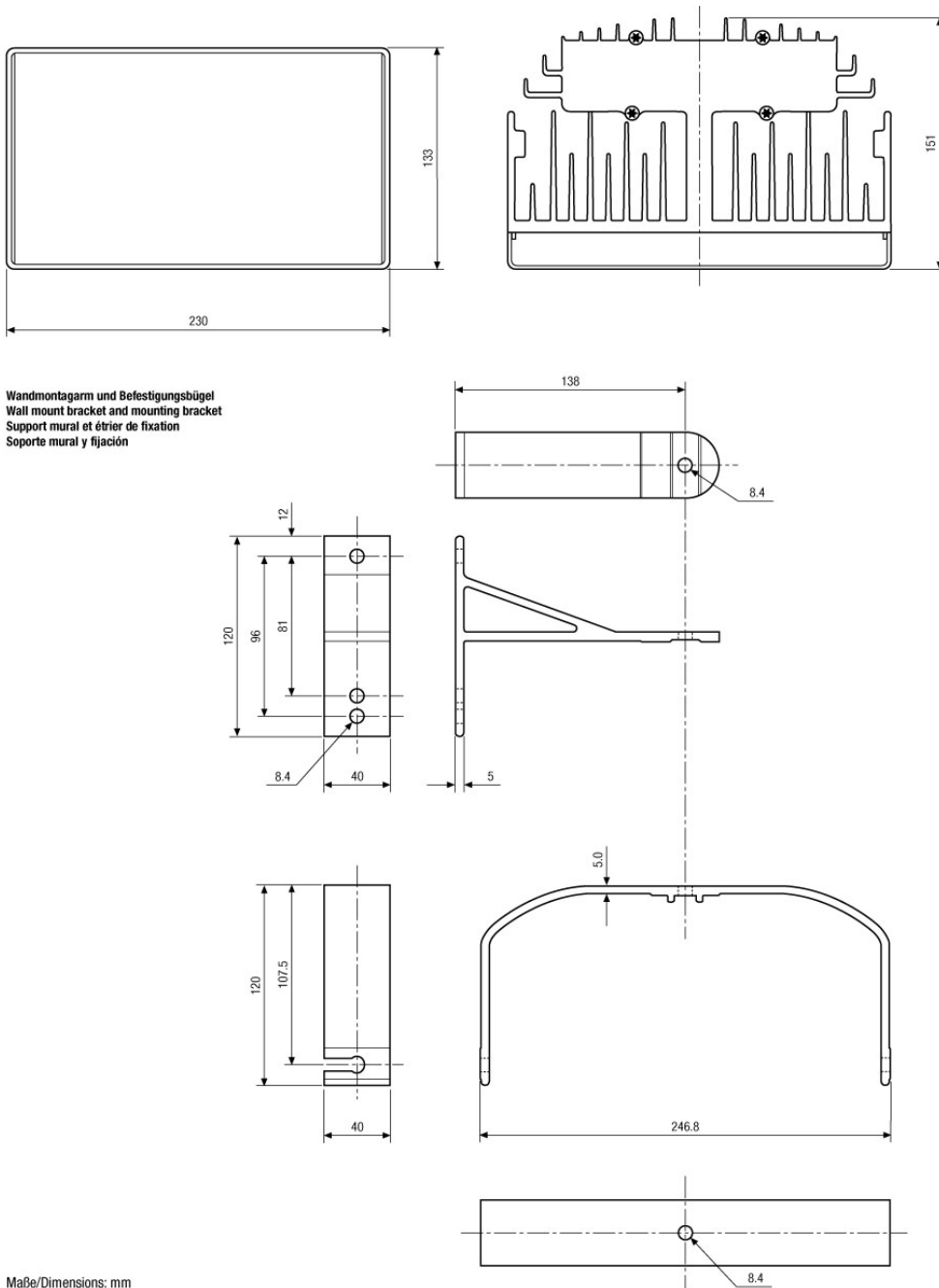
Optional accessories

71722	PM-80	Pole Mount Adapter IR LED-WBSET (80-180mm Pole)
-------	-------	---

W LED300K-25

Home | Security | Lighting | White Light

Technical drawing



SLD Security & Communications
The Old Forge, Ockham Lane, Ockham, Surrey GU236PH England
Phone +44.1483225633 · Fax +44.1483225634
sales@sld.co.uk · www.sld.co.uk

