

# VKC-1324B/W3

Home | Security | Cameras | Plug & Play

VKC-1324B/W3

1/3" Camera, Colour, F1.2/3.8-9.5mm, 540TVL,

12VDC

Art-Nr. 96102



## Main Features

Weatherproof camera with swivel head bracket  
1/3" colour CCD camera with varifocal lens  
Built-in lens F1.2/3.8-9.5mm with DC iris control  
Sensitivity: 0.5Lux at F1.2 (colour)  
Resolution of 540 horizontal lines  
Digital signal processing (DSP)

Backlight compensation (BLC)  
Automatic shutter control (ESC)  
Enhanced sharpness compensation  
Supply Voltage: 12VDC  
Fully hidden cable routing  
Protection rating: IP67

## Specifications

Series	eneo W3 Plug & Play
System	colour
Video standard	CCIR/PAL
Sensor size	1/3"
Imager	CCD, Sony Super HAD II Interline Transfer
Active picture elements	440,000, 752(H) x 582(V)
Synchronization	internal
Signal-to-noise ratio	50dB (AGC OFF)
Horizontal resolution	540 TVL
Sensitivity (at 50% video signal)	0,2 Lux, at F1.2 (measured)
Automatic electronic shutter (ESC)	1/50 ~ 1/100,000sec.
Low speed shutter	no
Automatic gain control (AGC)	28dB (AGC OFF)

# VKC-1324B/W3

(Continuation Specifications)

<b>Digital Noise Reduction (DNR)</b>	no
<b>Flickerless function</b>	ON/OFF switchable
<b>White balance</b>	automatic (2000K - 8000K)
<b>Backlight compensation</b>	BLC, center weighted
<b>Wide Dynamic Range (WDR)</b>	no
<b>Aperture Correction (APC)</b>	horizontal and vertical
<b>IR cut filter</b>	standard
<b>Video outputs</b>	composite (CVBS)
<b>Lens type</b>	varifocal
<b>Lens</b>	F1.2/F2.0 ~360/3.8 ~9.5mm with galvanometer controlled iris
<b>Focal length</b>	3,8 mm - 9,5 mm
<b>PTZ support</b>	no
<b>Digital zoom</b>	no
<b>Horizontal angle of view</b>	74,2° - 30°
<b>Iris control</b>	DC
<b>MOD (Minimum object distance)</b>	0,15 m
<b>Filter screw size</b>	not available
<b>Illumination</b>	no
<b>Activity detection</b>	no
<b>Serial interfaces</b>	no
<b>Operations</b>	DIP switches for: ALC/ESC, BLC ON/OFF, Flickerless ON/OFF. Level for DC controlled iris
<b>Cable connection</b>	Wiring for video and voltage supply made, accessible from outside (1.5m long, Video: BNC jack 12/24V input: for DC plug 2.1/5.5mm)
<b>Kind of mounting</b>	Integrated wall mount with ball joint
<b>Mounting</b>	wall or ceiling*)
<b>Temperature range (operation)</b>	-20°C ~+50°C
<b>Housing material</b>	aluminium
<b>Housing</b>	outdoor
<b>Integrated wall mount</b>	yes
<b>Hidden cable management</b>	yes
<b>Window screen</b>	Acrylic glass (clear)
<b>Sunshield</b>	no
<b>Window heater</b>	no
<b>Clear Shield</b>	no
<b>Colour (housing)</b>	Pantone 7541
<b>Vandalism resistant</b>	no
<b>Protection rating</b>	IP67
<b>Alarm inputs</b>	-
<b>Alarm outputs</b>	-

# VKC-1324B/W3

(Continuation Specifications)

<b>Supply voltage</b>	12VDC, (9 ~18VDC)
<b>Power consumption</b>	1.5W
<b>Weight</b>	620g
<b>Parts supplied</b>	Camera, Manual, "Easy installation" adapter cable, Heat shrink tube
<b>Certificates</b>	CE

## Optional accessories

<b>73179</b>	<b>PM-42</b>	Pole Mount Adapter, for Housing Series Candid, W3 Plug&Play
<b>70543</b>	<b>VT-PS12DC-10</b>	Plugable AC/DC Adapter 100-240V/12VDC- 2.5A, stab., Cont. & UK Mains plug-ins
<b>77773</b>	<b>VT-PS12DCDT1</b>	PSU 12VDC/1.0A, Regulated, Desktop Version, 1.8m Cables each w. open ends
<b>88148</b>	<b>W3 INST-KIT1</b>	Installation Kit for W3 Housings with Hidden Junction Boxes

# VKC-1324B/W3

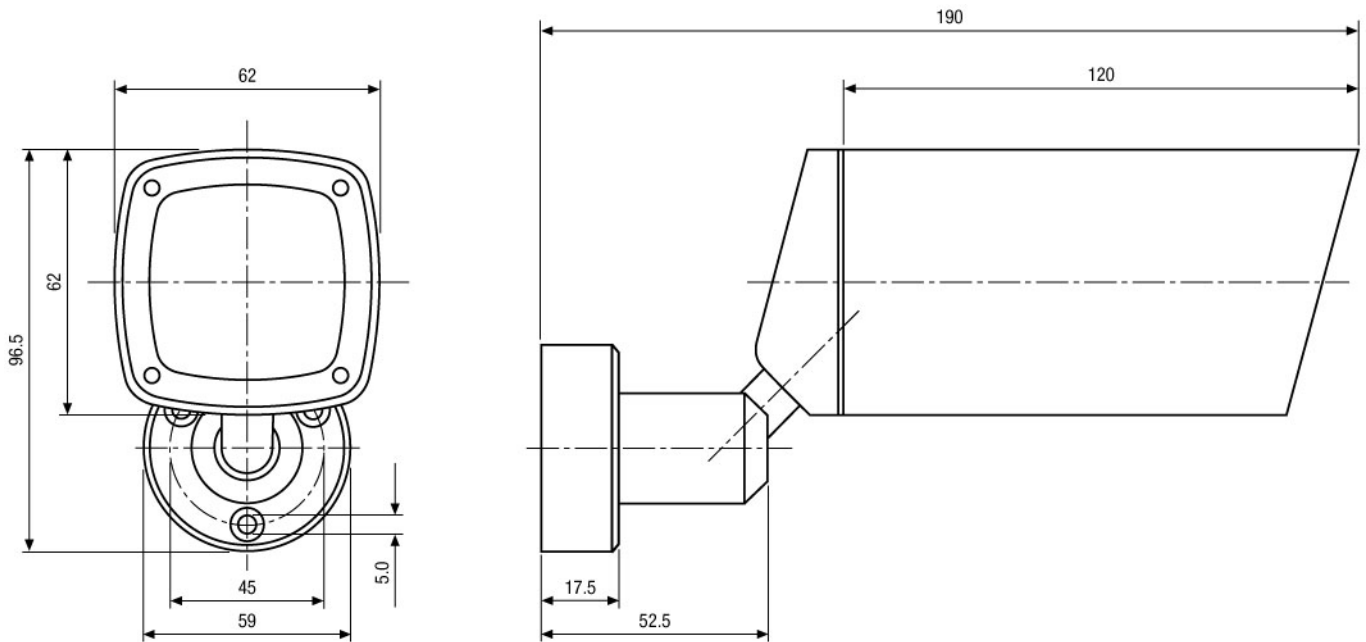
## Product information

\*) For ceiling installation please contact      in advance. They will modify the camera before shipping.

# VKC-1324B/W3

Home | Security | Cameras | Plug & Play

## Technical drawing



Maße/Dimensions: mm

SLD Security & Communications  
The Old Forge, Ockham Lane, Ockham, Surrey GU236PH England  
Phone +44.1483225633 · Fax +44.1483225634  
sales@sld.co.uk · www.sld.co.uk

