

VKC-1332/3.6SMD

Home | Security | Cameras | Plug & Play

VKC-1332/3.6SMD
1/3" Camera, Kamera, 3.6mm, 470TVL,
Smoke Detector Housing, 12VDC

Art-Nr. 91987



Main Features

For wall and drop ceiling mount
Resolution of 470 horizontal lines
Built-in pinhole lens F2.0/3.6mm
Automatic shutter control (ESC)

Internal synchronization
Supply voltage: 12VDC
Easy installation

Specifications

System	colour
Video standard	PAL
Sensor size	1/3"
Imager	CCD, 1/3" Interline transfer CCD
Synchronization	internal
Signal-to-noise ratio	46db (AGC OFF)
Gamma correction	0.45
Horizontal resolution	470 TVL
Sensitivity (at 50% video signal)	0,5 Lux, at F1.2 (measured)
Automatic electronic shutter (ESC)	1/50 ~ 1/100,000sec.
Low speed shutter	no
Digital Noise Reduction (DNR)	no
White balance	automatic (2000 - 10.000K)
Backlight compensation	no
Wide Dynamic Range (WDR)	no

VKC-1332/3.6SMD

(Continuation Specifications)

IR cut filter	standard
Video outputs	composite (CVBS)
Lens type	fixed focal length
Lens	F2.0/3.6mm
Focal length	3,6 mm
PTZ support	no
Digital zoom	no
Horizontal angle of view	69°
Iris control	no
MOD (Minimum object distance)	0,1 m
Filter screw size	not available
Illumination	no
Activity detection	no
Serial interfaces	no
External connections	Video (BNC), 12VDC (DC plug)
Mounting	wall mount, ceiling mount, wall and drop ceiling mount
Temperature range (operation)	-10°C ~+50°C
Housing material	plastic
Housing	indoor
Integrated wall mount	no
Hidden cable management	yes
Sunshield	no
Window heater	no
Clear Shield	no
Colour (housing)	white
Vandalism resistant	no
Protection rating	IP20
Alarm inputs	-
Alarm outputs	-
Supply voltage	12VDC, (+/-10%)
Power consumption	1.2W
Dimensions (HxWxD)	see drawing
Weight	140g
Certificates	CE

Optional accessories

70535	VT-PS12DC-8	Plug-in Power Supply Unit 100-240VAC 12VDC (1.0Amp), Regulated, with DC Plug
77773	VT-PS12DCDT1	PSU 12VDC/1.0A, Regulated, Desktop Version, 1.8m Cables each w. open ends

VKC-1332/3.6SMD

70495

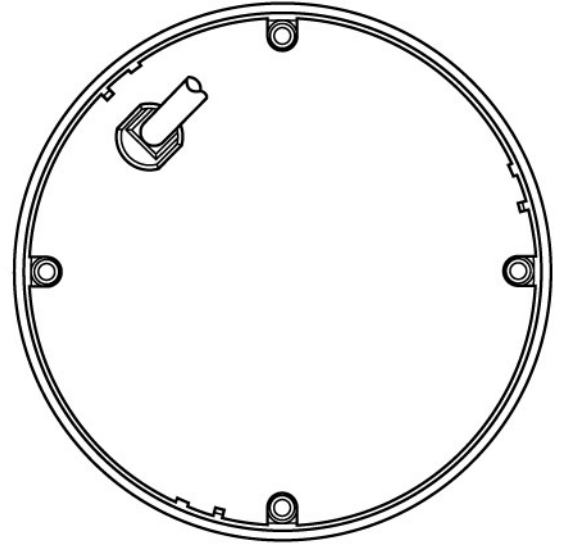
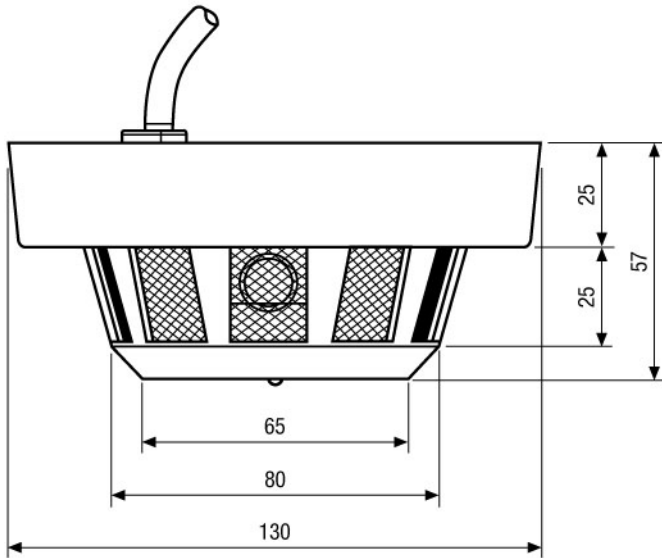
VT-PS12DC-7

Plugable PSU w. Cont. & UK Mains plug-in 100-240VAC/12VDC-1.25A, Regulated

VKC-1332/3.6SMD

Home | Security | Cameras | Plug & Play

Technical drawing



Maße/Dimensions: mm

SLD Security & Communications
The Old Forge, Ockham Lane, Ockham, Surrey GU236PH England
Phone +44.1483225633 · Fax +44.1483225634
sales@sld.co.uk · www.sld.co.uk

