

# VKC-1358A/IR922

Home | Security | Cameras | Plug & Play

VKC-1358A/IR922  
1/3" Camera, Day&Night, IR Illumination,  
F1.4/9-22mm, 550TVL, 12VDC/24VAC

**Art-Nr. 92553**



## Main Features

|   |  |
|---|--|
| 1/3" Sony Super HAD II CCD                      | Externally adjustable focus & zoom by rings        |
| Sensitivity of 0.44 Lux at F1.2 (colour)        | IR Illumination by 42 integral 850nm LEDs          |
| Automatic gain control (AGC)                    | Illumination range: approx. 45m                    |
| Automatic white balance (AWB/ATW)               | Supply voltage: 12VDC or 24VAC                     |
| Integral varifocal lens F1.4/9-22mm             | Fully hidden cable routing/Protection rating: IP66 |
| DC iris control / Removable IR cut filter (ICR) | For wall and ceiling mount                         |

## Specifications

|                                    |  |
|------------------------------------|--|
| System                             | day&night  |
| Video standard                     | CCIR/PAL   |
| Sensor size                        | 1/3"   |
| Imager                             | CCD, Sony Super HAD II Interline Transfer            |
| Active picture elements            | 440,000, 752(H) x 582(V)                             |
| Synchronization                    | Internal/AC line lock                                |
| Signal-to-noise ratio              | 48dB   |
| Gamma correction                   | 0.45   |
| Horizontal resolution              | 550 TVL, (colour), 580 TVL (B&W)                     |
| Sensitivity (at 50% video signal)  | 0,44 Lux, (colour), 0.11Lux (B&W) at F1.2 (measured) |
| Automatic electronic shutter (ESC) | no   |
| Low speed shutter                  | no   |
| Automatic gain control (AGC)       | supplied   |

# VKC-1358A/IR922

(Continuation Specifications)

|                                      |   |
|--------------------------------------|---|
| <b>Digital Noise Reduction (DNR)</b> | no  |
| <b>Flickerless function</b>          | yes   |
| <b>White balance</b>                 | AWB/ATW selectable  |
| <b>Backlight compensation</b>        | no  |
| <b>Wide Dynamic Range (WDR)</b>      | no  |
| <b>Aperture Correction (APC)</b>     | horizontal and vertical   |
| <b>IR cut filter</b>                 | switchable  |
| <b>Video outputs</b>                 | composite (CVBS)  |
| <b>Lens type</b>                     | varifocal   |
| <b>Lens</b>                          | F1,4 ~270/9 ~22mm with galvanometer driven iris   |
| <b>Focal length</b>                  | 9 mm - 22 mm  |
| <b>PTZ support</b>                   | no  |
| <b>Digital zoom</b>                  | no  |
| <b>Horizontal angle of view</b>      | 30,6° - 13°   |
| <b>Iris control</b>                  | DC  |
| <b>MOD (Minimum object distance)</b> | 0,2 m   |
| <b>Filter screw size</b>             | not available   |
| <b>Illumination</b>                  | infrared, 42 LEDs 850nm. Integrated light sensor for On/Off switching of the illumination |
| <b>Illumination range</b>            | approx. 45m (at a good light reflexion and 40% Videosignal)                               |
| <b>Activity detection</b>            | no  |
| <b>Serial interfaces</b>             | no  |
| <b>External connections</b>          | Video (BNC), 2 pin power input  |
| <b>Cable connection</b>              | Wiring for video and voltage supply made, accessible from outside (1.8m)                  |
| <b>Kind of mounting</b>              | Integrated wall mount with ball joint   |
| <b>Temperature range (operation)</b> | -10°C ~+50°C  |
| <b>Housing material</b>              | aluminium   |
| <b>Housing</b>                       | outdoor   |
| <b>Integrated wall mount</b>         | yes   |
| <b>Hidden cable management</b>       | yes   |
| <b>Sunshield</b>                     | yes   |
| <b>Window heater</b>                 | no  |
| <b>Clear Shield</b>                  | no  |
| <b>Colour (housing)</b>              | silver grey   |
| <b>Vandalism resistant</b>           | no  |
| <b>Protection rating</b>             | IP66  |
| <b>Alarm inputs</b>                  | -   |
| <b>Alarm outputs</b>                 | -   |
| <b>Supply voltage</b>                | 12VDC, 24VAC, (+/-10%)  |

## VKC-1358A/IR922

(Continuation Specifications)

|                           |                                     |
|---------------------------|-------------------------------------|
| <b>Power consumption</b>  | approx. 10watts                     |
| <b>Dimensions (HxWxD)</b> | see drawing                         |
| <b>Weight</b>             | 1.0kg                               |
| <b>Parts supplied</b>     | 3mm Allen key, Bag of fixing screws |
| <b>Certificates</b>       | CE                                  |

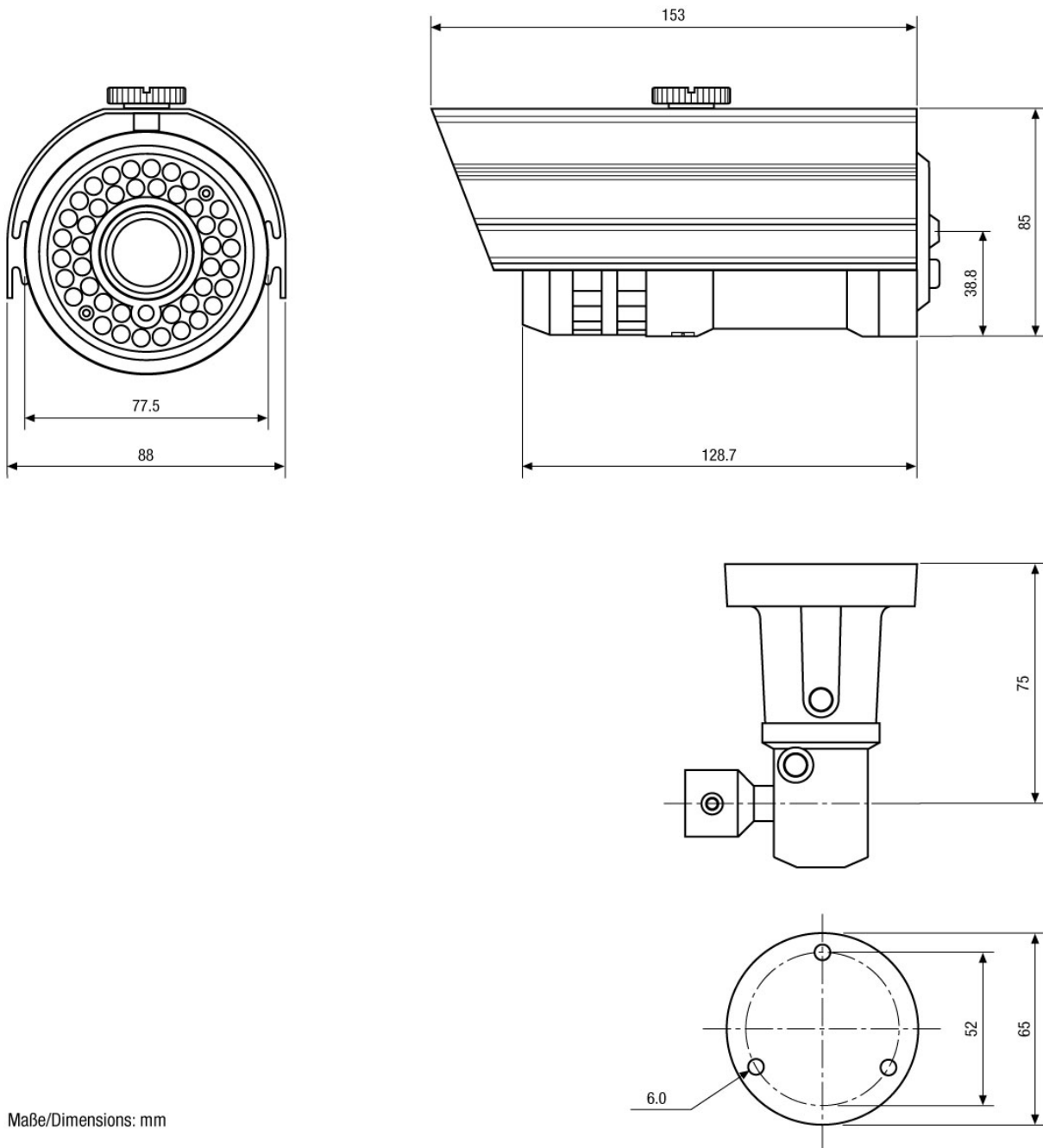
### Optional accessories

|              |                     |  |
|--------------|---------------------|--|
| <b>70527</b> | <b>NE-132/AC24V</b> | Power Supply Unit 230VAC/24VAC (1.0A)                                      |
| <b>70495</b> | <b>VT-PS12DC-7</b>  | Plugable PSU w. Cont. & UK Mains plug-in 100-240VAC/12VDC-1.25A, Regulated |
| <b>77773</b> | <b>VT-PS12DCDT1</b> | PSU 12VDC/1.0A, Regulated, Desktop Version, 1.8m Cables each w. open ends  |

# VKC-1358A/IR922

Home | Security | Cameras | Plug & Play

## Technical drawing



Maße/Dimensions: mm

SLD Security & Communications  
The Old Forge, Ockham Lane, Ockham, Surrey GU236PH England  
Phone +44.1483225633 · Fax +44.1483225634  
sales@sld.co.uk · www.sld.co.uk

