

# VKC-1371/IR-3.6

Home | Security | Cameras | Plug & Play

VKC-1371/IR-3.6  
1/3" Camera, Day&Night, 3.6mm, 550TVL,  
IR Illumination, 12VDC, IP67

**Art-Nr. 92543**



## Main Features

<b>Weatherproof day/night CCD camera</b>	<b>Automatic shutter control (ESC)</b>
<b>1/3" Sony Super HAD II CCD</b>	<b>Automatic white balance (AWB)</b>
<b>Sensitivity of 0.22Lux at F1.2 (colour)</b>	<b>Supply voltage: 12VDC</b>
<b>B&amp;W display at night time and IR LED illumination</b>	<b>Aluminium housing with sunshield</b>
<b>IR illumination by 30 integrated 850nm LEDs</b>	<b>Protection Rating: IP67</b>
<b>Approx. 30m illumination range</b>	<b>Mounting stand with cable concealed thru bracket</b>

## Specifications

<b>System</b>	day&night
<b>Sensor size</b>	1/3"
<b>Imager</b>	CCD, Sony Super HAD II Interline Transfer
<b>Active picture elements</b>	470,000, 795(H) x 596(V)
<b>Synchronization</b>	internal
<b>Signal-to-noise ratio</b>	45db (AGC Off)
<b>Gamma correction</b>	0.45
<b>Horizontal resolution</b>	550 TVL
<b>Sensitivity (at 50% video signal)</b>	0,22 Lux, (colour) at F1.2 (measured)
<b>Automatic electronic shutter (ESC)</b>	1/50 ~ 1/100,000sec.
<b>Low speed shutter</b>	no
<b>Automatic gain control (AGC)</b>	yes
<b>Digital Noise Reduction (DNR)</b>	no

# VKC-1371/IR-3.6

(Continuation Specifications)

<b>White balance</b>	automatic
<b>Backlight compensation</b>	no
<b>Wide Dynamic Range (WDR)</b>	no
<b>Aperture Correction (APC)</b>	horizontal and vertical
<b>IR cut filter</b>	OLPF (Overlay Low Pass Filter)
<b>Internal adjustments</b>	-
<b>Video outputs</b>	composite (CVBS)
<b>Lens type</b>	fixed focal length
<b>Lens</b>	F2.0/3.6mm w/o. iris (IR corrected and NFS)
<b>Focal length</b>	3,6 mm
<b>PTZ support</b>	no
<b>Digital zoom</b>	no
<b>Horizontal angle of view</b>	95,3°
<b>Iris control</b>	no
<b>MOD (Minimum object distance)</b>	0,2 m
<b>Filter screw size</b>	not available
<b>Illumination</b>	infrared, 30x LED's 850nm at 45° illumination angle. Due to an integrated light sensor the LED illumination will be switched ON (+1Lux) / OFF (+3Lux), depending on environmental illumination conditions.
<b>Illumination range</b>	approx. 30m (at a good light reflexion and 40% Videosignal)
<b>Activity detection</b>	no
<b>Serial interfaces</b>	no
<b>External connections</b>	Video (BNC), 12VDC (DC socket)
<b>Kind of mounting</b>	1/4"-20 thread on rear side
<b>Temperature range (operation)</b>	-10°C ~+50°C
<b>Housing material</b>	aluminium
<b>Housing</b>	outdoor
<b>Integrated wall mount</b>	yes
<b>Hidden cable management</b>	yes
<b>Window screen</b>	Coated plastic for outdoor use. Clear window section for the lens
<b>Sunshield</b>	yes
<b>Window heater</b>	no
<b>Clear Shield</b>	no
<b>Colour (housing)</b>	silver grey
<b>Vandalism resistant</b>	no
<b>Protection rating</b>	IP67
<b>Alarm inputs</b>	-
<b>Alarm outputs</b>	-
<b>Supply voltage</b>	12VDC, (+/-10%)
<b>Power consumption</b>	3watts

## VKC-1371/IR-3.6

(Continuation Specifications)

<b>Weight</b>	370g (incl. stand)
<b>Remarks</b>	Lens fitted for Day&Night application
<b>Certificates</b>	CE

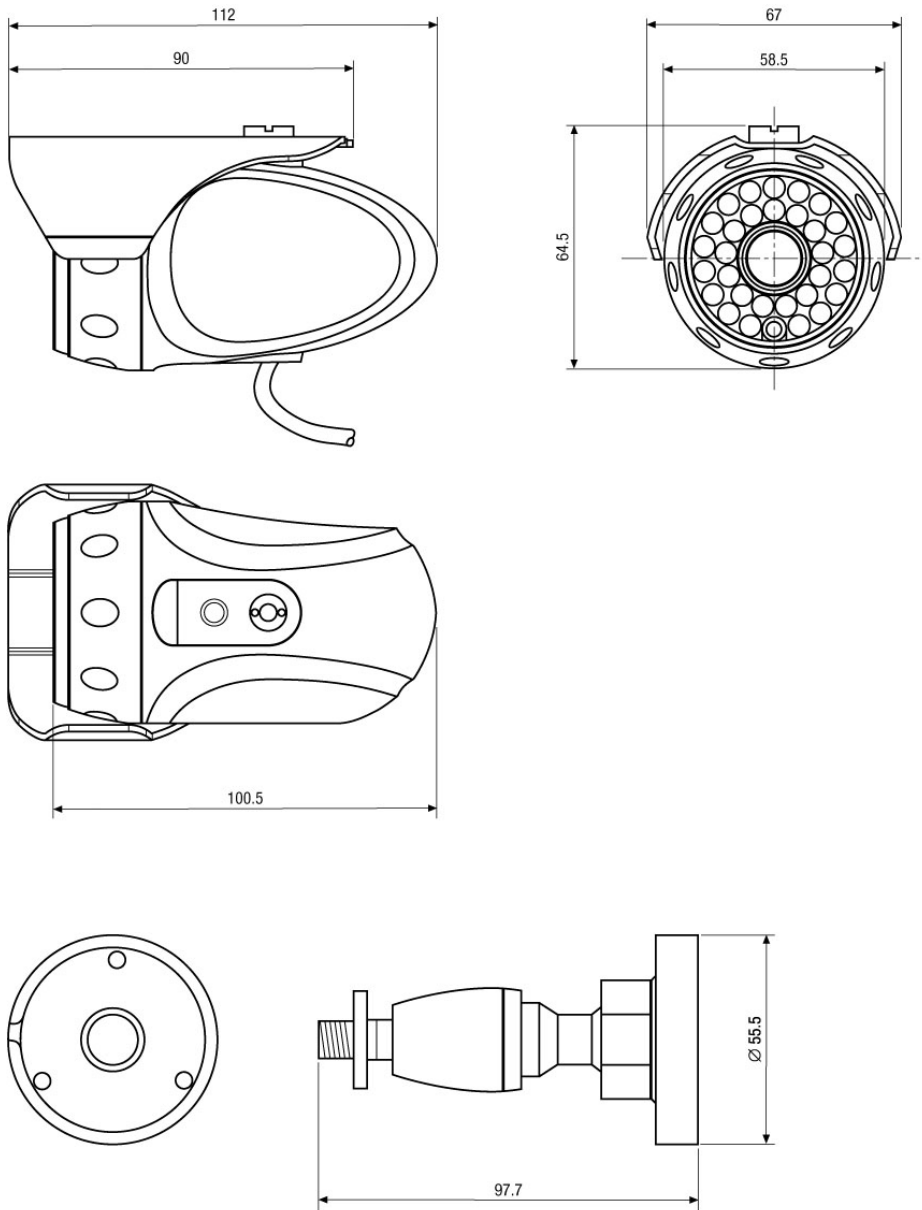
### Optional accessories

<b>70535</b>	<b>VT-PS12DC-8</b>	Plug-in Power Supply Unit 100-240VAC 12VDC (1.0Amp), Regulated, with DC Plug
<b>77773</b>	<b>VT-PS12DCDT1</b>	PSU 12VDC/1.0A, Regulated, Desktop Version, 1.8m Cables each w. open ends
<b>70495</b>	<b>VT-PS12DC-7</b>	Plugable PSU w. Cont. & UK Mains plug-in 100-240VAC/12VDC-1.25A, Regulated

# VKC-1371/IR-3.6

Home | Security | Cameras | Plug & Play

## Technical drawing



Maße/Dimensions: mm

SLD Security & Communications  
The Old Forge, Ockham Lane, Ockham, Surrey GU236PH England  
Phone +44.1483225633 · Fax +44.1483225634  
sales@sld.co.uk · www.sld.co.uk

