

# VKC-1371/IR-6

Home | Security | Cameras | Plug & Play

VKC-1371/IR-6

1/3" Camera, Day&Night, F2.5/6mm, 550TVL, 850nm,

IR Illumination, 12VDC

**Art-Nr. 92542**



## Main Features

**Weatherproof Day&Night CCD Camera**

1/3" Sony Super HAD II CCD

Sensitivity of 0.22Lux at F1.2 (Colour)

B&W Display at Night Time and IR LED Illumination

IR Illumination by 30 integrated 850nm LEDs

Approx. 30m Illumination Range

**Automatic Shutter Control (ESC)**

**Automatic White Balance (AWB)**

**Supply Voltage: 12VDC**

**Aluminium Housing with Sunshield**

**Protection Rating: IP67**

**Mounting Stand with Cable Concealed thru Bracket**

## Specifications

<b>System</b>	day&night
<b>Sensor size</b>	1/3"
<b>Imager</b>	CCD, Sony Super HAD II Interline Transfer
<b>Active picture elements</b>	470,000, 795(H) x 596(V)
<b>Synchronization</b>	Internal
<b>Signal-to-noise ratio</b>	45db (AGC Off)
<b>Gamma correction</b>	0.45
<b>Horizontal resolution</b>	550 TVL
<b>Sensitivity (at 50% video signal)</b>	0.22Lux at F1.2 (colour); 0Lux at IR illumination
<b>Automatic electronic shutter (ESC)</b>	1/50 ~ 1/100,000sec.
<b>Low Speed Shutter</b>	no
<b>Automatic gain control (AGC)</b>	yes
<b>Digital Noise Reduction (DNR)</b>	no

## VKC-1371/IR-6

(Continuation Specifications)

<b>White balance</b>	automatic
<b>Backlight compensation</b>	no
<b>Wide Dynamic Range (WDR)</b>	no
<b>Aperture Correction (APC)</b>	Horizontal and vertical
<b>IR cut filter</b>	lowpass
<b>Internal adjustments</b>	-
<b>Video outputs</b>	CVBS
<b>Lens type</b>	fixed focal length
<b>Lens</b>	F2.5/6mm w/o. iris (IR corrected and NFS)
<b>Focal length</b>	6 mm
<b>Horizontal angle of view</b>	50,6°
<b>Iris control</b>	no
<b>MOD (Minimum object distance)</b>	0,2 m
<b>Filter screw size</b>	not available
<b>Illumination</b>	infrared, 30x LED's 850nm at 45° illumination angle. Due to an integrated light sensor the LED illumination will be switched ON (+1Lux) / OFF (+3Lux), depending on environmental illumination conditions.
<b>Illumination range</b>	approx. 30m (at a good light reflexion and 40% Videosignal)
<b>Serial interfaces</b>	no
<b>External connections</b>	Video (BNC), 12VDC (DC socket)
<b>Kind of mounting</b>	1/4"-20 thread on rear side
<b>Protection rating</b>	IP67
<b>Supply voltage</b>	12VDC, (+/-10%)
<b>Power consumption</b>	3watts
<b>Temperature range (Operation)</b>	-10° ~+50°C
<b>Housing material</b>	Aluminium
<b>Housing</b>	Outdoor
<b>Integrated wall mount</b>	yes
<b>Hidden cable management</b>	yes
<b>Window screen</b>	Coated plastic for outdoor use. Clear window section for the lens
<b>Sunshield</b>	yes
<b>Window heater</b>	no
<b>Clear Shield</b>	no
<b>Colour (housing)</b>	silver grey
<b>Weight</b>	370g (incl. stand)
<b>Remarks</b>	Lens fitted for Day&Night application
<b>Certificates</b>	CE

### Optional accessories

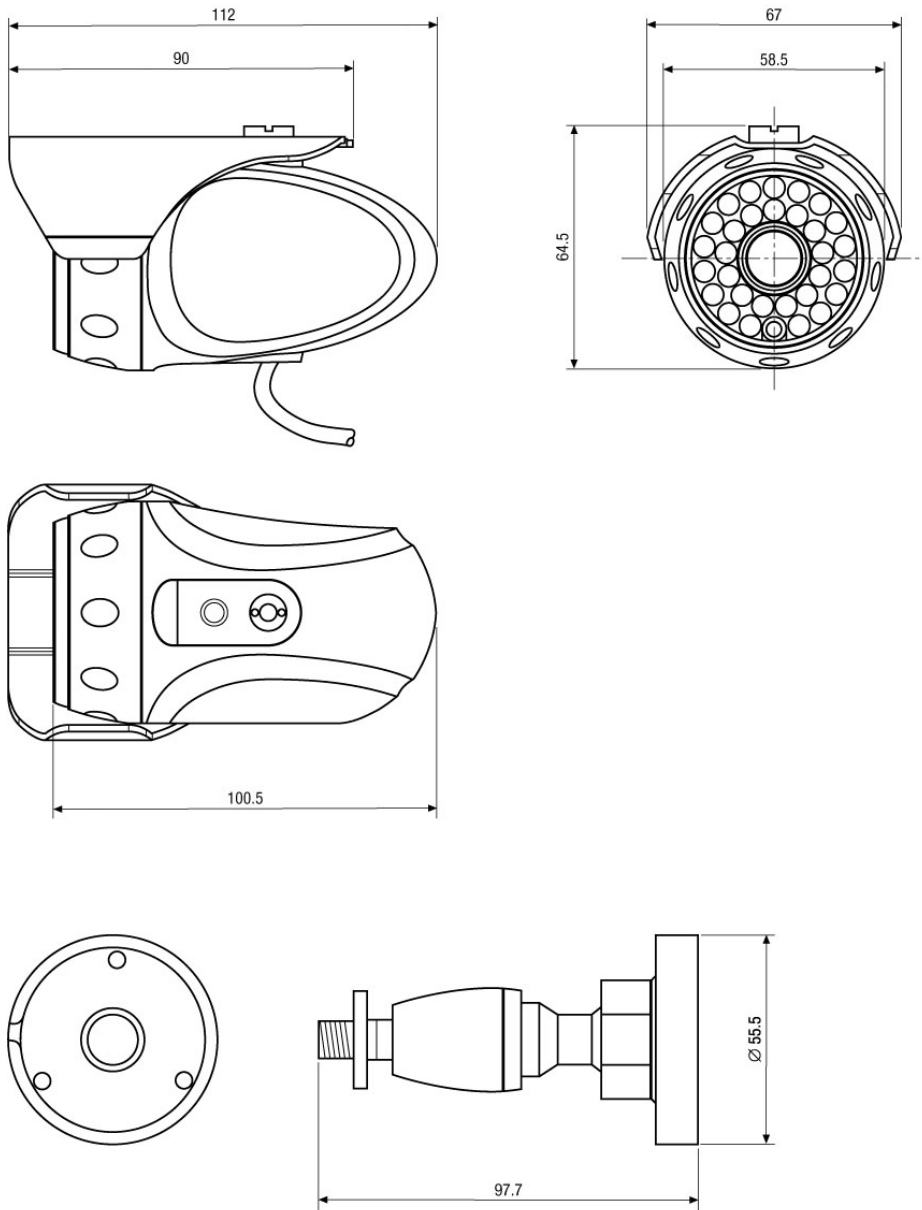
## VKC-1371/IR-6

70535	VT-PS12DC-8	Plug-in Power Supply Unit 100-240VAC 12VDC (1.0Amp), Regulated, with DC Plug
70495	VT-PS12DC-7	Plugable PSU w. Cont. & UK Mains plug-in 100-240VAC/12VDC-1.25A, Regulated
77773	VT-PS12DCDT1	PSU 12VDC/1.0A, Regulated, Desktop Version, 1.8m Cables each w. open ends

# VKC-1371/IR-6

Home | Security | Cameras | Plug & Play

## Technical drawing



Maße/Dimensions: mm

SLD Security & Communications  
The Old Forge, Ockham Lane, Ockham, Surrey GU236PH England  
Phone +44.1483225633 · Fax +44.1483225634  
sales@sld.co.uk · www.sld.co.uk

