

VKC-1382/IR-316

Home | Security | Cameras | Plug & Play

VKC-1382/IR-316
1/3" Camera, Day&Night, 3.5-16mm, 600TVL,
IR Illumination, 12/24V, IP68

Art-Nr. 92697



Main Features

1/3" Sony Super HAD II CCD (Samsung W5 DSP)	High and low speed shutter control (MES/ESC/DSS)
Latest image processing technology (DSP)	Digital image stabilization (DIS)
Sensitivity of 0.14 Lux at F1.2 (colour)	80m Night observation distance (70 pcs. IR LED's)
3D DNR Powerful digital noise reduction (SSNR3)	Externally adjustable focus & zoom
Digital wide dynamic range (SSDR)	Supply voltage: 12VDC or 24VAC
Privacy masking/Mirror function/Motion detection	For wall mount / Fully hidden cable routing

Specifications

System	day&night
Video standard	CCIR/PAL
Sensor size	1/3"
Imager	CCD, Sony Super HAD II Interline Transfer
Active picture elements	440,000, (H) 752 x (V) 582
Synchronization	internal
Signal-to-noise ratio	52db (AGC OFF)
Horizontal resolution	600 TVL
Sensitivity (at 50% video signal)	0,14 Lux, (color), 0.07Lux (B&W) at F1.2 (measured)
Automatic electronic shutter (ESC)	1/50 ~ 1/120,000sec.
Manual electronic shutter (MES)	1/50 ~ 1/120,000sec.
Low speed shutter	yes, automatic, 2 ~512 Fps., ON/OFF switchable
Automatic gain control (AGC)	Low, High, OFF

VKC-1382/IR-316

(Continuation Specifications)

Digital Noise Reduction (DNR)	yes, 3D / SSNR3 (Selected Super Noise Reduction)
Flickerless function	yes
Mirror function	horizontal, vertical
White balance	ATW, outdoor, indoor, manual, AWC (Hold)
Backlight compensation	BLC, HS BLC (eclipser), ON/OFF switchable
Wide Dynamic Range (WDR)	yes, SSSDR (Selected Super Dynamic Range)
Brightness	selectable
Sharpness correction	ON/OFF switchable
IR cut filter	switchable
Video outputs	composite (CVBS)
Lens type	varifocal
Lens	F1.2/3.5 ~16mm
Focal length	3,5 mm - 16 mm
PTZ support	no
Digital zoom	1x ~16x
Horizontal angle of view	70° - 17,5°
Iris control	DC
MOD (Minimum object distance)	0,5 m
Filter screw size	not available
Illumination	infrared, 70x LED's 850nm. Due to an integrated light sensor the LED illumination will be switched ON/OFF, depending on environmental illumination conditions
Illumination range	approx. 80m (at a good light reflexion and 40% Videosignal)
Menu languages	German, English, French, Spanish, Italian, Czech, Romanian, Turkish, Danish, Portugese, Polish, Serbian, Russian, Chinese
OSD function control	day&night, AGC, WDR (SSDR 1~15), BLC/HLC, shutter control, white balance, colour intensity, DNR (SSNR3 1~32), DIS, brightness, sharpness, H/V flip (mirror picture), digital zoom, motion detection, privacy zones, text, language, interface protocol, default
Text display	15 character label, ON/OFF switchable
Activity detection	yes
Motion detector	8 zones, ON/OFF switchable
Privacy zones masking	12 zones masking, ON/OFF switchable
Serial interfaces	RS-485
Serial interfaces protocols	Pelco D, Pelco P, Bosch, Vicon, SEC, Panasonic, Honeywell, Coaxitron
External adjustments	zoom and focus, menu
External connections	video (BNC), voltage input, sub video output
Mounting	wall mount
Temperature range (operation)	-20°C ~+50°C
Housing material	aluminium
Housing	outdoor

VKC-1382/IR-316

(Continuation Specifications)

Integrated wall mount	yes
Hidden cable management	yes
Sunshield	yes
Window heater	no
Clear Shield	no
Colour (housing)	Pantone 7541
Vandalism resistant	no
Protection rating	IP68
Alarm inputs	-
Alarm outputs	-
Supply voltage	12VDC, 24VAC, (+/-10%)
Power consumption	12W max.
Dimensions (HxWxD)	see drawing
Weight	2.0kg
Parts supplied	camera, sunshield, wall bracket, 3mm Allen key, 5mm Allen key, drilling template, bag of screws, manual, test monitor cable
Certificates	CE

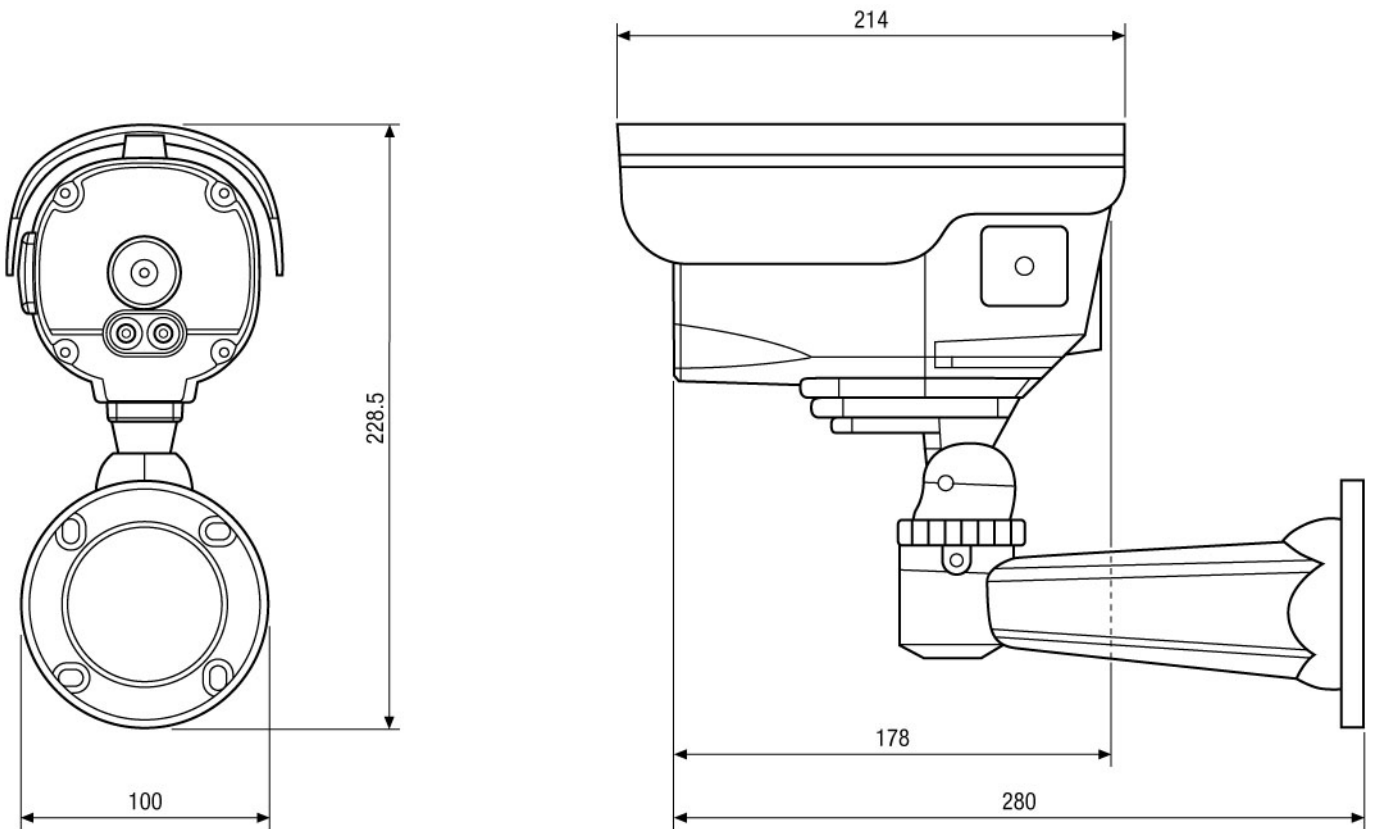
Optional accessories

70527	NE-132/AC24V	Power Supply Unit 230VAC/24VAC (1.0A)
70543	VT-PS12DC-10	Plugable AC/DC Adapter 100-240V/12VDC- 2.5A, stab., Cont. & UK Mains plug-ins
73179	PM-42	Pole Mount Adapter, for Housing Series Candid, W3 Plug&Play

VKC-1382/IR-316

Home | Security | Cameras | Plug & Play

Technical drawing



Maße/Dimensions: mm

SLD Security & Communications
The Old Forge, Ockham Lane, Ockham, Surrey GU236PH England
Phone +44.1483225633 · Fax +44.1483225634
sales@sld.co.uk · www.sld.co.uk

