

VKCD-12100F2810IR

Home | Security | Domes | Fixed

VKCD-12100F2810IR
1/3" Dome, Fixed, Day/Night, DNR, D-WDR, 2.8-10mm,

700TVL, Effio E, 12VDC

Art-Nr. 202438



SLD Security &
Communications

Main Features

For wall and ceiling flush and surface mount
Vandal and tamper-resistant
Integrated F1.2/2.8-10mm varifocal
Externally adjustable focus & zoom
Digital wide dynamic range (D-WDR)
Sensitivity of 0.12Lux at F1.2 (colour)

Backlight compensation (BLC,HLC)
Automatic white balance (AWB)
Powerful digital noise reduction (2D DNR)
Smart IR function, 15 LEDs
Manual 3-axis camera gimbal
Supply voltage: 12VDC

Specifications

| | |
|------------------------------------|---|
| Series | eneo Dome Fix |
| System | day&night |
| Video standard | CCIR/PAL |
| Sensor size | 1/3" |
| Imager | CCD, Sony Effio E (960H) |
| Horizontal resolution | 700 TVL |
| Signal-to-noise ratio | 52db |
| Sensitivity (at 50% video signal) | 0,1 Lux, (colour), 0.03Lux (B&W) at F1.2 (measured) |
| Automatic gain control (AGC) | ON/OFF switchable |
| Exposure modes | automatic or manual mode |
| Automatic electronic shutter (ESC) | 1/50 - 1/10,000sec. |
| Manual electronic shutter (MES) | 1/50 - 1/10,000sec. |
| Low speed shutter | no |

VKCD-12100F2810IR

(Continuation Specifications)

| | |
|--------------------------------------|--|
| Digital Noise Reduction (DNR) | yes, 2D NR |
| Backlight compensation | BLC, HLC |
| Wide Dynamic Range (WDR) | D-WDR |
| White balance | ATW, one push, Anti CR, user defined |
| Blemish compensation | no |
| IR cut filter | switchable |
| Day/Night switching | auto |
| Privacy zones masking | 4 areas, masking, X/Y start/end |
| Menu languages | English, German, French, Russian, Portugese, Spanish, Japanese, Chinese |
| OSD function control | AGC, 4:3/16:9 compression, Zoom (4:3 format only), BIB (Video A/B or Y/C) |
| Text display | supplied |
| Activity detection | yes |
| Motion detector | 4 zones, ON/OFF switchable |
| Mirror function | H-flip |
| Digital zoom | yes |
| Analysis functions | activity detection |
| Lens type | varifocal |
| Focal length | 2,8 mm - 10 mm |
| Horizontal angle of view | 81,2° - 27° |
| MOD (Minimum object distance) | 1,5 m |
| Aperture range (F) | F1.2 |
| Video outputs | composite (CVBS), 1Vp-p (C)VBS, 75ohms, BNC |
| Alarm inputs | no |
| Alarm outputs | no |
| e-PTZ support | yes |
| Rotation range | 360° |
| Illumination | infrared, 15x LED's 850nm at 20° illumination angle. Due to an integrated light sensor the LED illumination will be switched ON/OFF, depending on environmental illumination conditions. |
| Illumination range | approx. 25m |
| Serial interfaces | no |
| Housing | outdoor |
| Housing material | aluminium |
| Colour (bubble) | clear |
| Colour (housing) | Pantone 7541 |
| Heater | no |
| Blower | no |
| Mounting | wall mount, ceiling mount |

VKCD-12100F2810IR

(Continuation Specifications)

| | |
|--------------------------------------|--|
| Supply voltage | 12VDC, (+/-10%) |
| Power consumption | 6W |
| Temperature range (operation) | -10°C ~+50°C |
| Protection rating | IP66 |
| Vandalism resistant | yes |
| Dimensions (HxWxD) | 105,5x120 |
| Weight | 800g |
| Parts supplied | manual, Video sub-out cable, screw set |
| Certificates | CE |

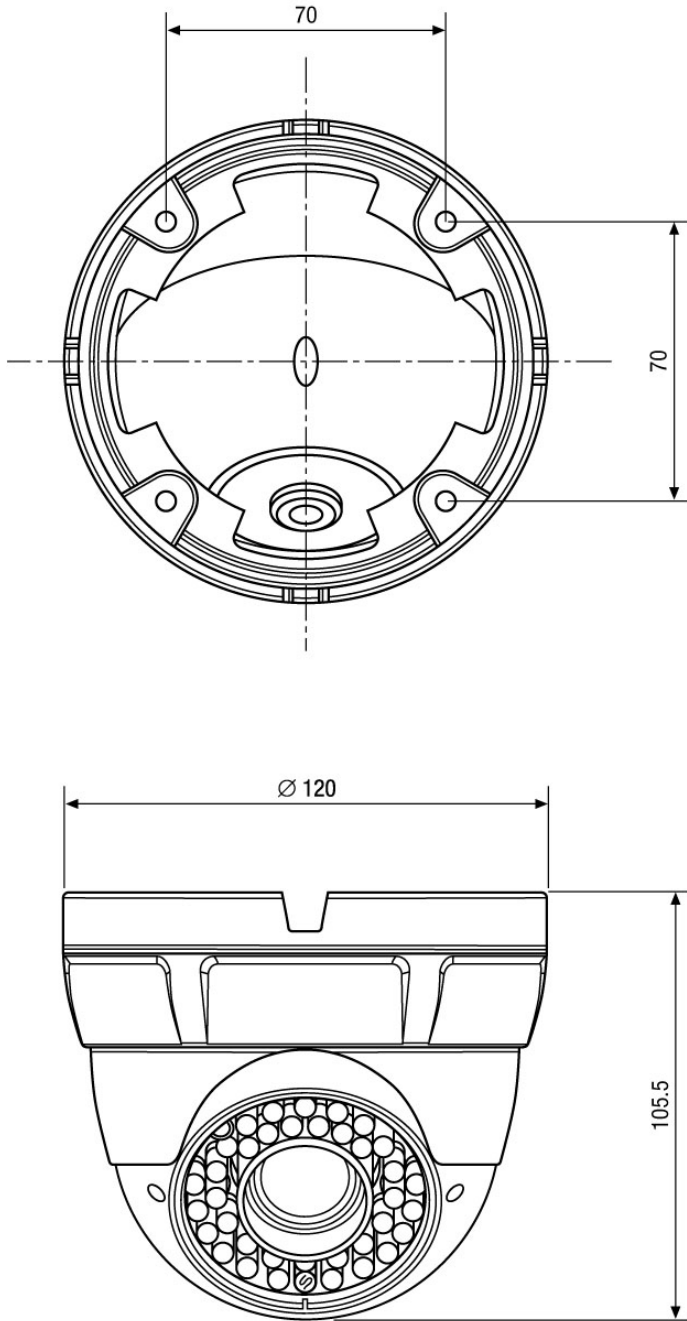
Optional accessories

| | | |
|-------|-------------|--|
| 70535 | VT-PS12DC-8 | Plug-in Power Supply Unit 100-240VAC 12VDC (1.0Amp), Regulated, with DC Plug |
|-------|-------------|--|

VKCD-12100F2810IR

Home | Security | Domes | Fixed

Technical drawing



Maße/Dimensions: mm

SLD Security & Communications
The Old Forge, Ockham Lane, Ockham, Surrey GU236PH England
Phone +44.1483225633 · Fax +44.1483225634
sales@sld.co.uk · www.sld.co.uk

