

VKCD-12110F2810IR

Home | Security | Domes | Fixed

VKCD-12110F2810IR
1/3" Dome, Fixed, Day/Night, DNR, D-WDR, 2.8-10mm,

700TVL, Effio S, 12VDC

Art-Nr. 202440



SLD Security &
Communications

Main Features

For wall and ceiling flush and surface mount
Vandal and tamper-resistant
Integrated F1.4/2.8-10mm varifocal
Externally adjustable focus & zoom
Digital wide dynamic range (D-WDR)
Sensitivity of 0.1Lux at F1.2 (colour)

Backlight compensation (BLC,HLC)
Automatic white balance (AWB)
Powerful digital noise reduction (2D-/3DNR)
Smart IR function, 15 LEDs
Manual 3-axis camera gimbal
Supply voltage: 12VDC

Specifications

Series	eneo Dome Fix
System	True Day&Night
Video standard	CCIR/PAL
Sensor size	1/3"
Imager	CCD, Sony Effio-S (960H)
Horizontal resolution	700 TVL
Signal-to-noise ratio	55dB
Sensitivity	0,1 Lux, (colour), 0.03Lux (B&W) at F1.2 (measured), 50 IRE
Automatic gain control (AGC)	ON/OFF switchable
Exposure modes	automatic or manual mode
Automatic electronic shutter (ESC)	1/50 - 1/10,000sec.
Manual electronic shutter (MES)	1/50 - 1/10.000sec.
Low speed shutter	yes, 2x~256x

VKCD-12110F2810IR

(Continuation Specifications)

Digital Noise Reduction (DNR)	yes, 2D NR, 3D NR
Backlight compensation	BLC, HLC
Wide Dynamic Range (WDR)	D-WDR
White balance	ATW, one push, Anti CR, user defined
Blemish compensation	no
IR cut filter	switchable
Day/Night switching	auto
Privacy zones masking	15 zones masking, ON/OFF switchable
Menu languages	English
OSD function control	4:3/16:9 compression, Zoom (4:3 format only), BIB (Video A/B or Y/C)
Text display	supplied
Activity detection	yes
Motion detector	4 zones, ON/OFF switchable
Mirror function	V flip, H-flip, H/V flip
Digital zoom	yes
Analysis functions	activity detection
Lens type	varifocal
Focal length	2,8 mm - 10 mm
Horizontal angle of view	81,2° - 27°
MOD (Minimum object distance)	1,5 m
Aperture range (F)	F1.4
Video outputs	composite (CVBS), 1Vp-p (C)VBS, 75ohms, BNC
Alarm inputs	no
Alarm outputs	no
e-PTZ support	yes
Rotation range	360°
Illumination	infrared, 15x LED's 850nm at 20° illumination angle. Due to an integrated light sensor the LED illumination will be switched ON/OFF, depending on environmental illumination conditions.
Illumination range	approx. 25m
Serial interfaces	no
Housing	outdoor
Housing material	aluminium
Colour (bubble)	clear
Colour (housing)	Pantone 7541
Heater	no
Blower	no
Mounting	wall mount, ceiling mount
Supply voltage	12VDC, (+/-10%)
Power consumption	6W

VKCD-12110F2810IR

(Continuation Specifications)

Temperature range (operation)	-10°C ~+50°C
Protection rating	IP66
Vandalism resistant	yes
Dimensions (HxWxD)	105,5x120
Weight	800g
Parts supplied	manual, screw set
Certificates	CE

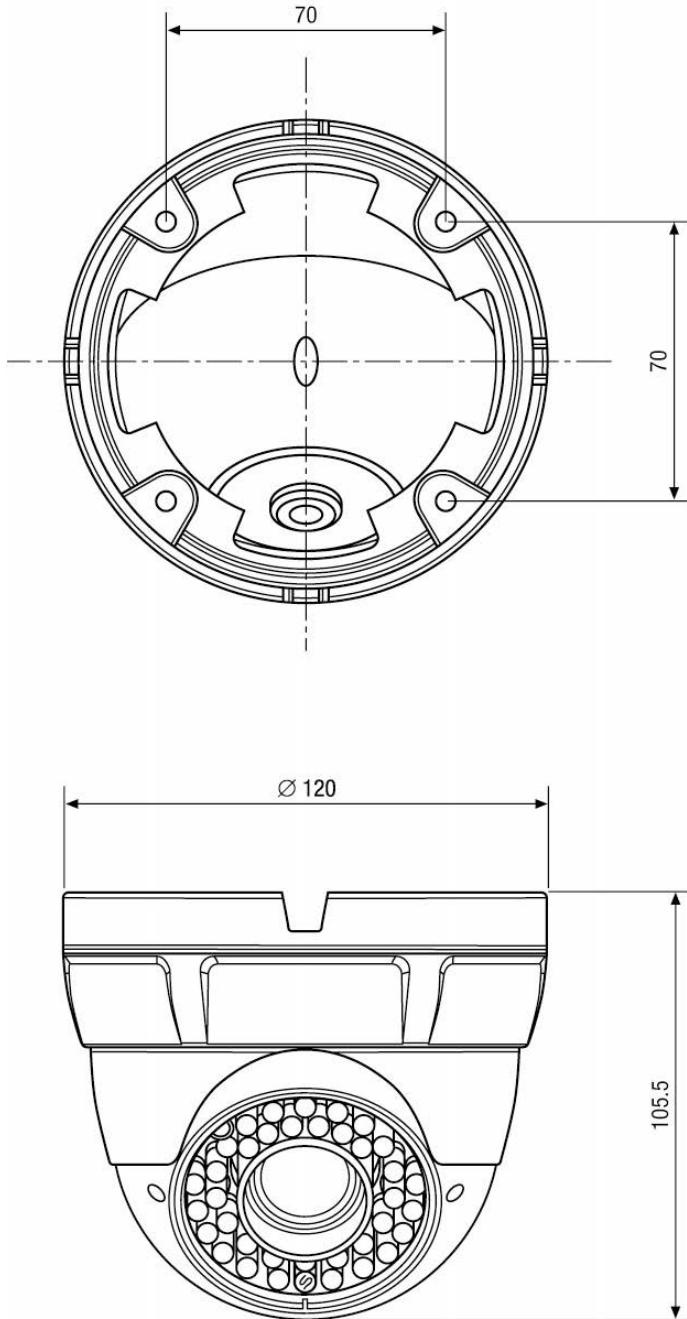
Optional accessories

70535	VT-PS12DC-8	Plug-in Power Supply Unit 100-240VAC 12VDC (1.0Amp), Regulated, with DC Plug
-------	-------------	--

VKCD-12110F2810IR

Home | Security | Domes | Fixed

Technical drawing



Maße/Dimensions: mm

SLD Security & Communications
The Old Forge, Ockham Lane, Ockham, Surrey GU236PH England
Phone +44.1483225633 · Fax +44.1483225634
sales@sld.co.uk · www.sld.co.uk

