

VKCD-13100F2810

Home | Security | Domes | Fixed

VKCD-13100F2810
1/3" Dome, Day&Night, Fixed, 2.8-10mm, 700TVL,
2DNR, D-WDR, 12/24V, IP68

Art-Nr. 201284



SLD Security & Communications

Main Features

1/3" Sony Effio-E (960H)	Digital wide dynamic range (D-WDR)
Built-in lens F1.2/2.8-10mm with DC iris control	Surface or flush mounting with clear bubble
Sensitivity of 0,15 Lux (F1.2 / colour)	Weatherproof camera, protection rating: IP68/IK10
Removable IR cut filter	Supply voltage: 12VDC/24VAC
Digital noise reduction 2DNR	

Specifications

Series	eneo Callisto
System	True Day&Night
Video standard	CCIR/PAL
Sensor size	1/3"
Imager	CCD, Sony Effio E (960H) Enhanced
Active picture elements	976(H) x 582(V) pixels
Horizontal resolution	700 TVL
Signal-to-noise ratio	52db
Sensitivity	0,15 Lux, (colour), 0.03Lux (B&W) at F1.2 (measured), 50 IRE
Automatic gain control (AGC)	automatic (with manual override)
Exposure modes	automatic, manual
Automatic electronic shutter (ESC)	1/50 ~ 1/10,000sec.
Manual electronic shutter (MES)	1/50 ~ 1/10.000sec.
Low speed shutter	no

VKCD-13100F2810

(Continuation Specifications)

Digital Noise Reduction (DNR)	yes, 2D NR
Backlight compensation	BLC, HLC
Wide Dynamic Range (WDR)	D-WDR
White balance	ATW, push, manual, push lock, Anti CR, user defined
Aperture Correction (APC)	horizontal and vertical
IR cut filter	switchable
Day/Night switching	auto
Privacy zones masking	8 zones masking, ON/OFF switchable
Menu languages	English, German, French, Russian, Spanish, Japanese, Portugese
OSD function control	AGC, motion detection, DNR, brightness, sharpness, shutter control, privacy zones, white balance
Text display	camera title
Activity detection	yes
Motion detector	4 zones, ON/OFF switchable
Mirror function	H-flip
Digital zoom	no
Analysis functions	activity detection
Auto exposure	Automatic/Manual Shutter/AGC
Lens type	varifocal
Focal length	2,8 mm - 10 mm
Horizontal angle of view	81,2° - 27°
MOD (Minimum object distance)	0,5 m
Aperture range (F)	F1.2
External adjustments	menu
Video outputs	composite (CVBS)
Alarm inputs	no
Alarm outputs	no
e-PTZ support	no
Rotation range	+/-165°
Vertical tilt range	65° (25° ~90°, ceiling as reference)
Illumination	no
External connections	voltage input, video (BNC)
Serial interfaces	no
Housing	outdoor, dome
Housing material	aluminium
Colour (bubble)	clear
Colour (housing)	Pantone 7541
Heater	no
Blower	no
Mounting	ceiling mount, flush mount

VKCD-13100F2810

(Continuation Specifications)

Supply voltage	12VDC, 24VAC, (+/-15%) 50Hz
Power consumption	2W
Temperature range (operation)	-20°C ~+50°C
Protection rating	IP68
Vandalism resistant	yes
Dimensions (HxWxD)	119x140
Weight	1.0kg
Parts supplied	manual, allen key, screw set, Video sub-out cable, drilling template
Certificates	CE, IK10

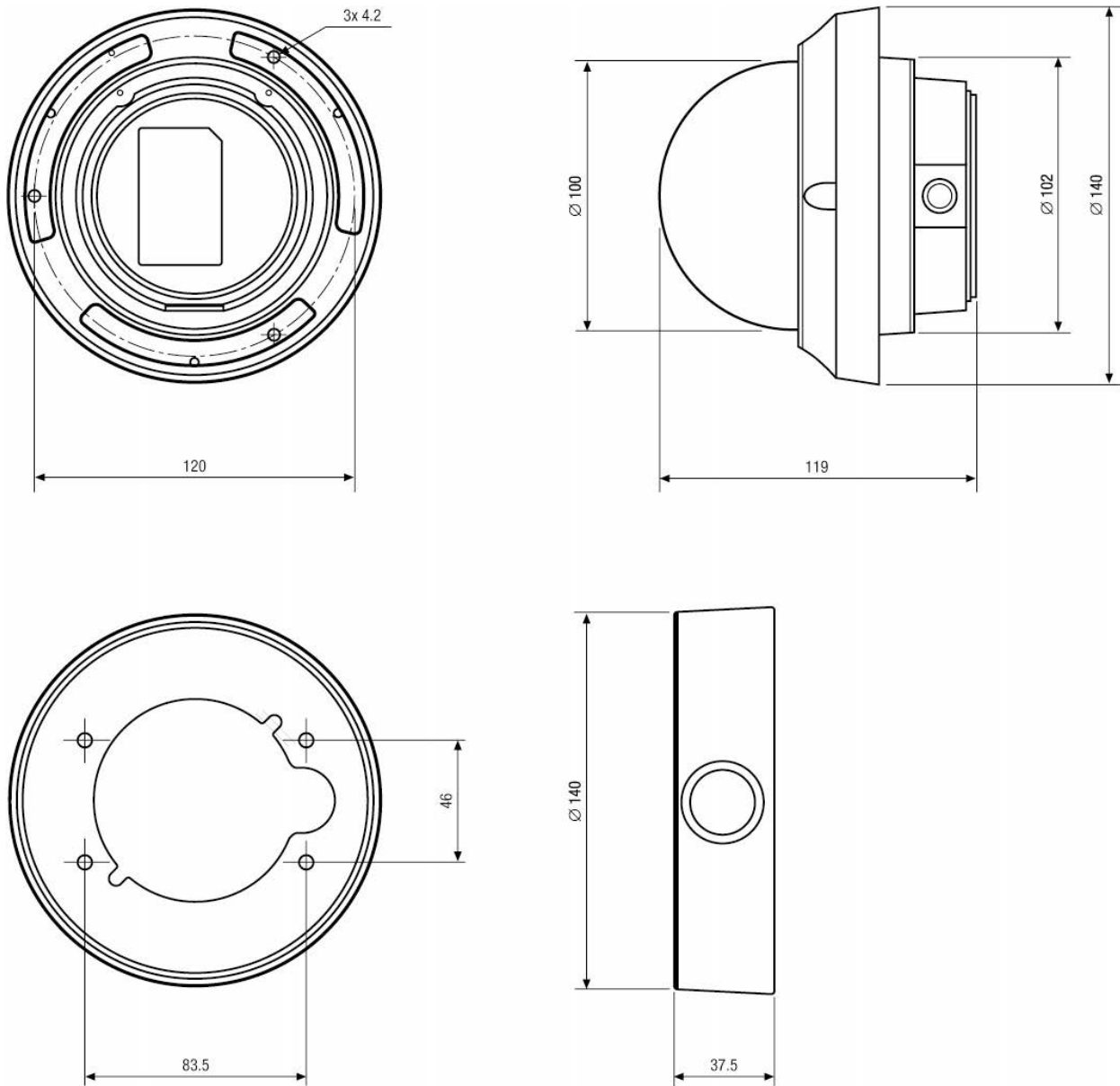
Optional accessories

203658	VT-PS12DC-11	Plug-in Power Supply Unit, 100-240VAC/12VDC (1.0A), Regulated, with DC Plug
202642	DOME-WB1	Wall Bracket for eneo Callisto Dome Line

VKCD-13100F2810

Home | Security | Domes | Fixed

Technical drawing



Maße/Dimensions: mm

SLD Security & Communications
The Old Forge, Ockham Lane, Ockham, Surrey GU236PH England
Phone +44.1483225633 · Fax +44.1483225634
sales@sld.co.uk · www.sld.co.uk

