

VKCD-13100F2810IR

Home | Security | Domes | Fixed

VKCD-13100F2810IR
1/3" Dome, Fixed, Day&Night, 2.8-10mm, 700TVL,
D-WDR IR-Illumination, 12/24V, IP68

Art-Nr. 203667



SLD Security &
Communications

Main Features

1/3" Sony Effio-E (960H)	Digitale wide dynamic range (D-WDR)
Built-in lens F1.2/2,8-10mm with DC iris control	IR illumination by 30 integral 850nm LEDs
Sensitivity of 0,15 Lux (F1.2 / colour)	Surface or flush mounting with clear bubble
Removable IR cut filter	Weatherproof camera, protection rating: IP68/IK10
Digital noise reduction 2DNR	Supply voltage: 12VDC/24VAC

Specifications

Series	eneo Callisto
System	True Day&Night
Video standard	CCIR/PAL
Sensor size	1/3"
Imager	CCD, Sony Effio E (960H) Enhanced
Active picture elements	976(H) x 582(V) pixels
Horizontal resolution	700 TVL
Signal-to-noise ratio	52db
Sensitivity	0,15 Lux, (colour), 0.03Lux (B&W) at F1.2 (measured), 50 IRE
Automatic gain control (AGC)	automatic (with manual override)
Exposure modes	automatic, manual
Automatic electronic shutter (ESC)	1/50 ~ 1/10,000sec.
Manual electronic shutter (MES)	1/50 ~ 1/10.000sec.
Low speed shutter	no

VKCD-13100F2810IR

(Continuation Specifications)

Digital Noise Reduction (DNR)	yes, 2D NR
Backlight compensation	BLC, HLC
Wide Dynamic Range (WDR)	D-WDR
White balance	ATW, push, manual, push lock, Anti CR, user defined
Aperture Correction (APC)	horizontal and vertical
IR cut filter	switchable
Day/Night switching	auto
Privacy zones masking	8 zones masking, ON/OFF switchable
Menu languages	English, German, French, Russian, Spanish, Japanese, Portuguese
OSD function control	AGC, motion detection, DNR, brightness, sharpness, shutter control, privacy zones, white balance
Text display	camera title
Activity detection	yes
Motion detector	4 zones, ON/OFF switchable
Mirror function	H-flip
Digital zoom	no
Analysis functions	activity detection
Auto exposure	Automatic/Manual Shutter/AGC
Lens type	varifocal
Focal length	2,8 mm - 10 mm
Horizontal angle of view	81,2° - 27°
MOD (Minimum object distance)	0,5 m
Aperture range (F)	F1.2
External adjustments	menu
Video outputs	composite (CVBS)
Alarm inputs	no
Alarm outputs	no
e-PTZ support	yes
Rotation range	+/-165°
Vertical tilt range	65° (25° ~90°, ceiling as reference)
Illumination	infrared, 30x IR-LEDs 850nm, 60°
Illumination range	approx. 40m
External connections	voltage input, video (BNC)
Serial interfaces	no
Housing	outdoor, dome
Housing material	aluminium
Colour (bubble)	clear
Colour (housing)	Pantone 7541
Heater	yes
Blower	no

VKCD-13100F2810IR

(Continuation Specifications)

Mounting	ceiling mount, flush mount
Supply voltage	12VDC, 24VAC, (+/-15%) 50Hz
Power consumption	6.5W
Temperature range (operation)	-50°C ~+50°C
Protection rating	IP68
Vandalism resistant	yes
Dimensions (HxWxD)	119x140
Weight	1.0kg
Parts supplied	manual, allen key, screw set, Video sub-out cable, drilling template
Certificates	CE, IK10
Special features	SRIC™ (Signal Related IR Control).

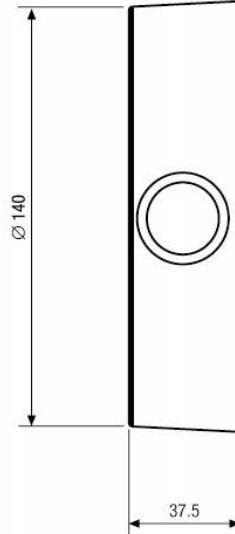
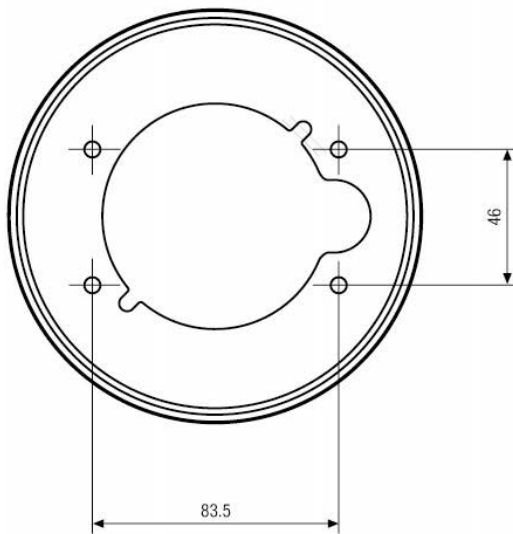
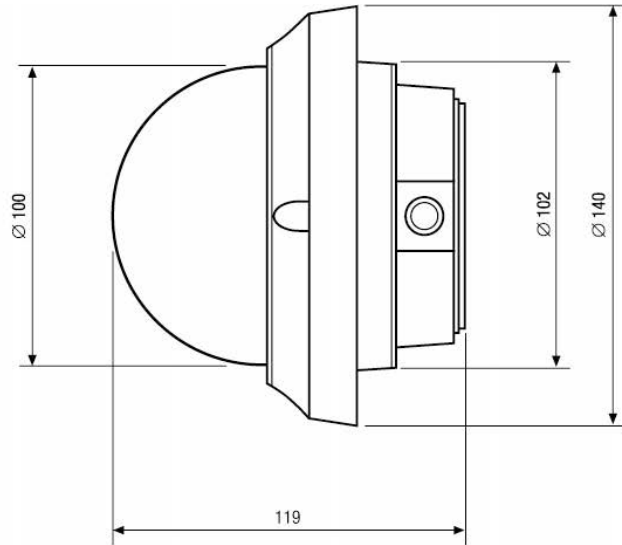
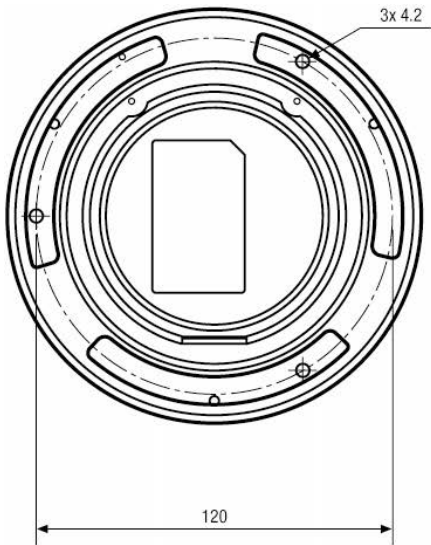
Optional accessories

203658	VT-PS12DC-11	Plug-in Power Supply Unit, 100-240VAC/12VDC (1.0A), Regulated, with DC Plug
202642	DOME-WB1	Wall Bracket for eneo Callisto Dome Line
203617	RM-1000	Coaxitron Remote Controller, BNC IN / OUT, Cabel

VKCD-13100F2810IR

Home | Security | Domes | Fixed

Technical drawing



Maße/Dimensions: mm

SLD Security & Communications
The Old Forge, Ockham Lane, Ockham, Surrey GU236PH England
Phone +44.1483225633 · Fax +44.1483225634
sales@sld.co.uk · www.sld.co.uk

