

VKCD-13120F2810

Home | Security | Domes | Fixed

VKCD-13120F2810

1/3" Dome, Fixed, Day/Night, 2.8-10mm, 700 TVL,

Effio P, clear, 12VDC/24VAC, IP68

Art-Nr. 202540



SLD Security & Communications

Main Features

1/3" Sony Effio-P double scan (960H)

Built-in lens F1.2/2,8-10mm with DC iris control

Sensitivity of 0.1 Lux (F1.2 / colour)

Removable IR cut filter

Digital noise reduction 2&3DNR

Wide Dynamic Range (WDR)

Exact focus setting aid

Surface or flush mounting / Clear bubble

Weatherproof camera / Protection rating: IP68/IK10

Supply voltage: 12VDC/24VAC

Specifications

Series	eneo Callisto
System	True Day&Night
Video standard	CCIR/PAL
Sensor size	1/3"
Imager	CCD, Sony Effio-P double scan (960H)
Active picture elements	976(H) x 582(V) pixels
Horizontal resolution	700 TVL
Signal-to-noise ratio	52db
Sensitivity	0,1 Lux, (colour), 0.03Lux (B&W) at F1.2 (measured), 50 IRE
Automatic gain control (AGC)	automatic (with manual override)
Exposure modes	automatic, shutter priority, iris priority, manual
Automatic electronic shutter (ESC)	1/53 ~ 1/10.000sec.
Manual electronic shutter (MES)	1/53 ~ 1/10.000sec.
Low speed shutter	yes, 2x ~64x

VKCD-13120F2810

(Continuation Specifications)

Digital Noise Reduction (DNR)	yes, 2D & 3D
Backlight compensation	BLC, HS BLC (eclipser)
Wide Dynamic Range (WDR)	WDR
White balance	ATW, push, manual, push lock, Anti CR, user defined
Blemish compensation	pixel compensation ON/OFF selectable
Aperture Correction (APC)	horizontal and vertical
Flickerless function	yes
IR cut filter	switchable
Day/Night switching	day, night, auto, extern (Sensor)
Privacy zones masking	up to 15 zones (Tilt, Color, Transparency, Mosaic)
Menu languages	English, German, French, Italian, Spanish, Polish, Japanese
OSD function control	AGC, motion detection, DNR, brightness, sharpness, shutter control, H/V flip (mirror picture), day&night, privacy zones, white balance
Text display	camera title
Activity detection	yes
Motion detector	4 zones, ON/OFF switchable
Mirror function	V flip, H-flip, H/V flip
Digital zoom	yes
Analysis functions	activity detection
Auto exposure	Automatic/Manual/flimmerfree/AGC
Lens type	varifocal
Focal length	2,8 mm - 10 mm
Horizontal angle of view	81,2° - 27°
MOD (Minimum object distance)	0,5 m
Aperture range (F)	F1.2
External adjustments	menu
Video outputs	composite (CVBS)
Alarm inputs	no
Alarm outputs	no
e-PTZ support	yes
Rotation range	+/-165°
Vertical tilt range	65° (25° ~90°, ceiling as reference)
Illumination	no, 30x IR-LEDs 850nm, 60°
External connections	RS-485, voltage input, video (BNC)
Serial interfaces	RS-485
Serial interfaces protocols	Pelco D, Coaxitron
Housing	outdoor, dome
Housing material	aluminium
Colour (bubble)	clear
Colour (housing)	Pantone 7541

VKCD-13120F2810

(Continuation Specifications)

Heater	no
Blower	no
Mounting	wall mount, ceiling mount, flush mount
Supply voltage	12VDC, 24VAC, (+/-15%) 50Hz
Power consumption	2W
Temperature range (operation)	-20°C ~+50°C
Protection rating	IP68
Vandalism resistant	yes
Dimensions (HxWxD)	119x140
Weight	1.0kg
Parts supplied	manual, allen key, screw set, Video sub-out cable, drilling template
Certificates	CE, IK10
Special features	Exact focus setting aid, Digital image stabilizer

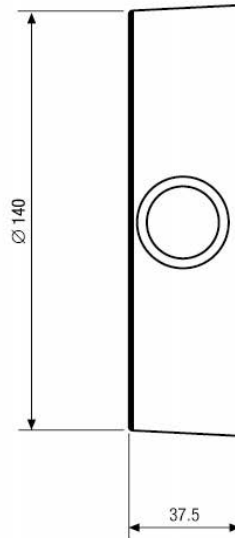
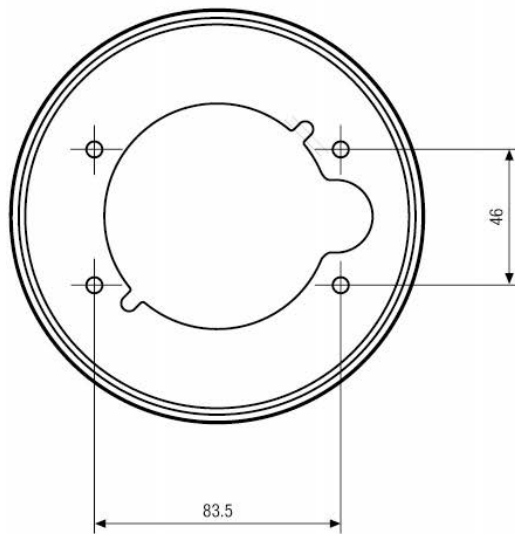
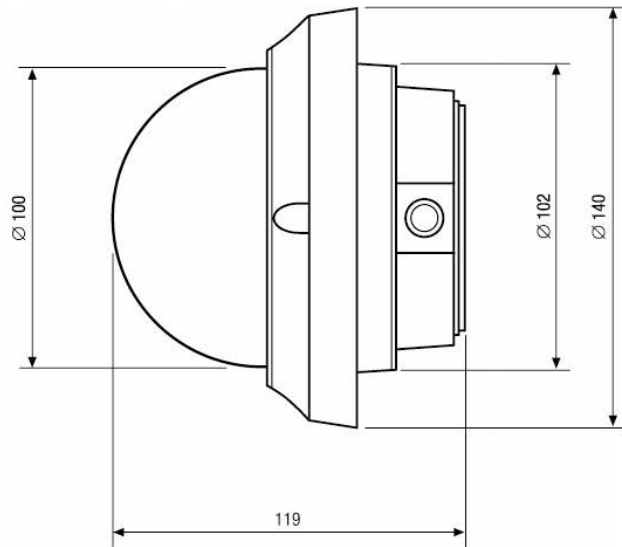
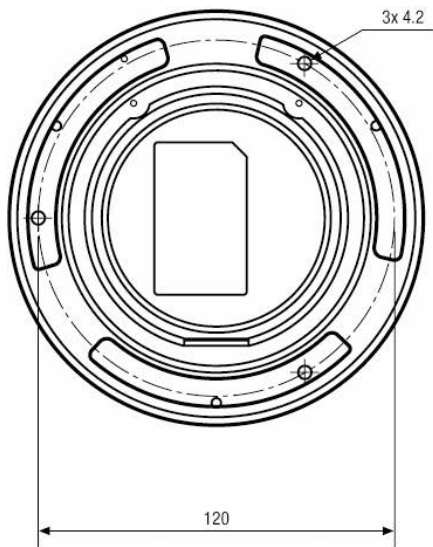
Optional accessories

203658	VT-PS12DC-11	Plug-in Power Supply Unit, 100-240VAC/12VDC (1.0A), Regulated, with DC Plug
202642	DOME-WB1	Wall Bracket for eneo Callisto Dome Line
203617	RM-1000	Coaxitron Remote Controller, BNC IN / OUT, Cabel

VKCD-13120F2810

Home | Security | Domes | Fixed

Technical drawing



Maße/Dimensions: mm

SLD Security & Communications
The Old Forge, Ockham Lane, Ockham, Surrey GU236PH England
Phone +44.1483225633 · Fax +44.1483225634
sales@sld.co.uk · www.sld.co.uk

