

VKCD-1321SSM/MF

Home | Security | Dome Cameras | Fixed

VKCD-1321SSM/MF
1/3" Colour Minidome, Surface Mount, F2.0/3.6mm,
540TVL, 12VDC, Silver

Art-Nr. 92159



SLD Security &
Communications

Main Features

For Wall and Ceiling Surface Mount

Vandal Resistant

1/3" Colour Board Camera with Super HAD CCD

Integrated Lens F2.0/3.6mm

Resolution of 540 Horizontal Lines

Automatic Shutter Control up to 1:100,000Sec.

Digital Signal Processing (DSP)

Automatic White Balance (ATW)

Silver-coloured Aluminium Die-cast Casing

Clear Lexan Bubble, 57mm

For Easy Indoor and Outdoor Installation (IP66)

Specifications

Video standard	PAL
System	Colour
Sensor size	1/3"
Imager	CCD, Sony Super HAD Interline Transfer
Active picture elements	440,000, 752(H) x 582(V)
Synchronization	Internal
Signal-to-noise ratio	48dB
Sensitivity (at 50% video signal)	0.84Lux at F1.2 (Videor measurement result including bubble)
Horizontal resolution	540 TVL
Rotation range	360°
Automatic gain control (AGC)	Included
Gamma correction	approx. 0.45
High-speed shutter (ESC)	1/50 ~ 1/100,000sec.
Integration rate	no
Digital Noise Reduction (DNR)	no
White balance (AWB)	Automatic control

VKCD-1321SSM/MF

(Continuation Specifications)

Backlight compensation	BLC
Aperture Correction (APC)	Horizontal and vertical
IR cut filter	standard
Video outputs (type)	CVBS
Video outputs	1Vp-p, CVBS, 75ohms
Lens mount	integrated lens
Lens type	fixed focal length
Lens	F2.0/3.6mm
Aspherical technology	no
Focal length	3,6 mm
Horizontal angle of view	68°
Iris control	no
MOD (Minimum object distance)	0,1 m
Filter screw size	not available
Cable connection	Video (BNC), 12VDC (DC jack)
Serial interfaces	no
Temperature range (Operation)	-10° ~+50°C
Heater	no
Protection rating	IP66, at installation according to the manual
Supply voltage	12VDC, 10 ~14VDC, 12VDC ±0,5V recommended
Power consumption	2.0W max.
Vandalism resistant	yes
Bubble	57mm (2.25"), clear polycarbonate plastic
Colour (bubble)	clear
Camera adjustment	3-axis camera adjustment: 360° horizontal rotation / +-45° tilt rotation, 360° pan rotation
Camera fixing	no
Mounting	surface mount, wall mount
Housing	Outdoor
Housing material	Aluminium
Colour (housing)	silver grey
Dimensions (HxWxD)	See drawing
Weight	170g
Certificates	CE

Optional accessories

77773	VT-PS12DCDT1	PSU 12VDC/1.0A, Regulated, Desktop Version, 1.8m Cables each w. open ends
70495	VT-PS12DC-7	Plugable PSU w. Cont. & UK Mains plug-in 100-240VAC/12VDC-1.25A, Regulated

VKCD-1321SSM/MF

70535

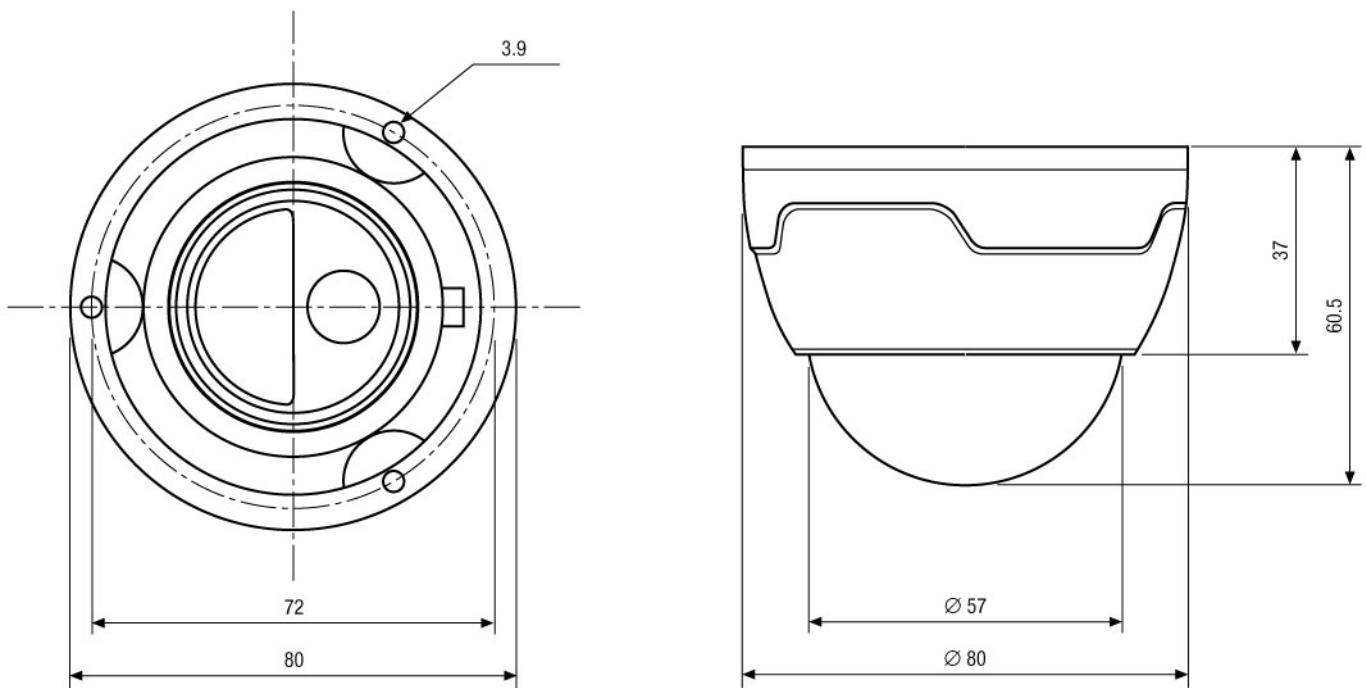
VT-PS12DC-8

Plug-in Power Supply Unit 100-240VAC 12VDC (1.0Amp), Regulated,
with DC Plug

VKCD-1321SSM/MF

Home | Security | Dome Cameras | Fixed

Technical drawing



Maße/Dimensions: mm

SLD Security & Communications
The Old Forge, Ockham Lane, Ockham, Surrey GU236PH England
Phone +44.1483225633 · Fax +44.1483225634
sales@sld.co.uk · www.sld.co.uk

