

# VKCD-1324C/IR

Home | Security | Domes | Fixed

VKCD-1324C/IR

1/3" Dome, Fixed, Day&Night, Pixim, clear, 2,

8-10mm, 570TVL IR LED, 12VDC/24VAC

**Art-Nr. 200173**



SLD Security & Communications

## Main Features

**Digital Pixel System (Pixim Seawolf DSP)**

Wide dynamic range: 102dB, 120dB max.

Built-in lens F1.2/2,8-10mm with DC iris control

Sensitivity of 0.4Lux (F1.2 / colour)

Removable IR cut filter

Digital noise reduction (DNR)

**Adjustable low speed shutter (DSS)**

Motion detection with 4 zones

IR illumination by 30 integral 850nm LEDs

Surface or flush mounting / Clear bubble

Weatherproof camera / Protection rating: IP68/IK10

Supply voltage: 12VDC/24VAC

## Specifications

<b>Series</b>	eneo Callisto
<b>System</b>	True Day&Night
<b>Video standard</b>	PAL
<b>Sensor size</b>	1/3"
<b>Imager</b>	DPS (Pixim)
<b>Active picture elements</b>	768(H) x 540(V) pixels
<b>Horizontal resolution</b>	570 TVL
<b>Synchronization</b>	internal
<b>Signal-to-noise ratio</b>	52db
<b>Gamma correction</b>	manually adjustable
<b>Sensitivity</b>	0,4 Lux, (colour), 0.06Lux (B&W) at F1.2 (measured), 50 IRE
<b>Automatic gain control (AGC)</b>	yes
<b>Exposure modes</b>	low speed shutter

# VKCD-1324C/IR

(Continuation Specifications)

<b>Automatic electronic shutter (ESC)</b>	yes
<b>Manual electronic shutter (MES)</b>	no
<b>Low speed shutter</b>	yes, 2 ~64 Fps., ON /OFF switchable
<b>Digital Noise Reduction (DNR)</b>	yes, 3D NR with adjustable gain
<b>Backlight compensation</b>	no
<b>Wide Dynamic Range (WDR)</b>	yes
<b>White balance</b>	ATW, ATW Desat, manual, ATW extended
<b>Blemish compensation</b>	no
<b>Aperture Correction (APC)</b>	horizontal and vertical
<b>IR cut filter</b>	switchable, IR cut filter
<b>Day/Night switching</b>	auto, day, night
<b>Privacy zones masking</b>	6 zones masking
<b>Menu languages</b>	English, German, French, Spanish
<b>OSD function control</b>	white balance, iris: DC/manual, exposure, DNR, WDR, PAL/NTSC, day&night, sharpness, freeze, digital zoom, H/V flip (mirror picture), Rotation
<b>Text display</b>	camera ID
<b>Activity detection</b>	yes
<b>Motion detector</b>	4 zones, ON/OFF switchable
<b>Mirror function</b>	yes
<b>Digital zoom</b>	12x
<b>Analysis functions</b>	activity detection
<b>Lens type</b>	varifocal
<b>Focal length</b>	2,8 mm - 10 mm
<b>Horizontal angle of view</b>	81,2° - 27°
<b>MOD (Minimum object distance)</b>	0,1 m
<b>Aperture range (F)</b>	F1.2
<b>Iris control</b>	DC
<b>External adjustments</b>	zoom & focus, menu
<b>Video outputs</b>	composite (CVBS), BNC
<b>Alarm inputs</b>	no
<b>Alarm outputs</b>	no
<b>e-PTZ support</b>	no
<b>Rotation range</b>	330°
<b>Horizontal turning range</b>	330°(+/-165°)
<b>Tilt range</b>	65° (+25° ~+90° from horizontal level)
<b>Illumination</b>	infrared, 30x IR-LEDs 850nm, 60°
<b>Illumination range</b>	approx. 40m
	ja
<b>External connections</b>	video (BNC), RS-485, voltage input

# VKCD-1324C/IR

(Continuation Specifications)

<b>Serial interfaces</b>	RS-485
<b>Serial interfaces protocols</b>	Pelco D
<b>Housing</b>	outdoor, dome, aluminium
<b>Housing material</b>	aluminium
<b>Bubble</b>	Polycarbonate (Lexan)
<b>Colour (bubble)</b>	clear
<b>Colour (housing)</b>	Pantone 7541
<b>Heater</b>	no
<b>Blower</b>	no
<b>Mounting</b>	flush mount, ceiling mount, wall mount
<b>Supply voltage</b>	12VDC, 24VAC, (+/-10%)
<b>Power consumption</b>	8W max.
<b>Temperature range (operation)</b>	-20°C ~+50°C
<b>Protection rating</b>	IP68
<b>Vandalism resistant</b>	yes
<b>Dimensions (HxWxD)</b>	119x140
<b>Weight</b>	1kg
<b>Parts supplied</b>	drilling template
<b>Certificates</b>	CE, IK10
<b>Special features</b>	electronic focus help function enables an exact focus adjustment for colour- and black & white mode without the support of a separate ND- or Grey- filter.

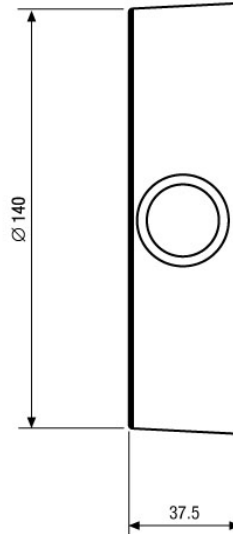
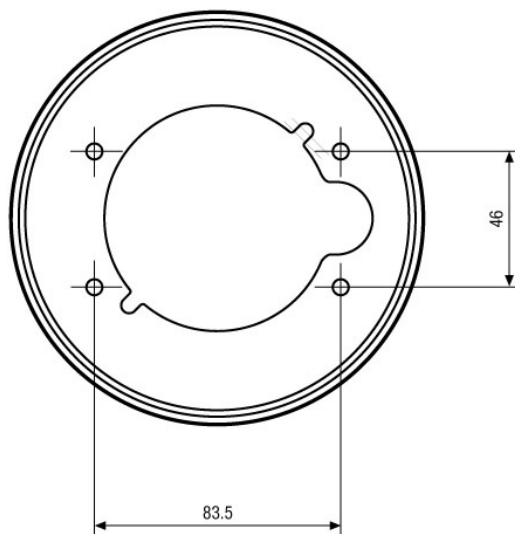
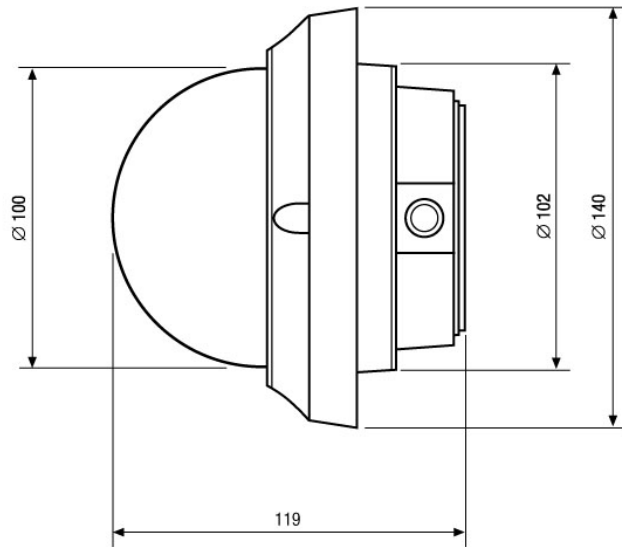
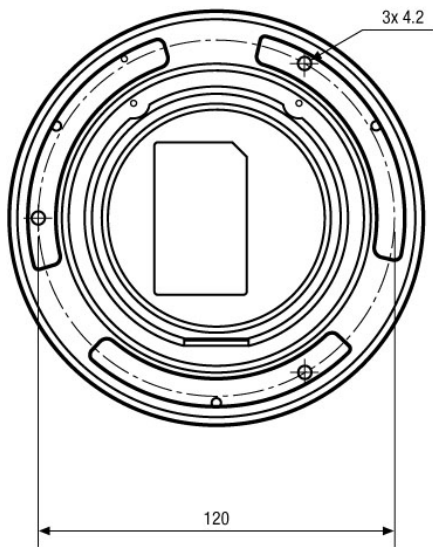
## Optional accessories

203658	VT-PS12DC-11	Plug-in Power Supply Unit, 100-240VAC/12VDC (1.0A), Regulated, with DC Plug
202642	DOME-WB1	Wall Bracket for eneo Callisto Dome Line
203617	RM-1000	Coaxitron Remote Controller, BNC IN / OUT, Cabel

# VKCD-1324C/IR

Home | Security | Domes | Fixed

## Technical drawing



Maße/Dimensions: mm

SLD Security & Communications  
The Old Forge, Ockham Lane, Ockham, Surrey GU236PH England  
Phone +44.1483225633 · Fax +44.1483225634  
sales@sld.co.uk · www.sld.co.uk

