

VKCD-1326B/IR

Home | Security | Domes | Fixed

VKCD-1326B/IR

1/3" Dome, Fixed, Day&Night, tinted, 3.8-9.5mm,

600TVL, IR Illumination, 12V

Art-Nr. 92701



SLD Security &
Communications

Main Features

1/3" Super HAD II CCD sensor

Integrated F1.2/3.8-9.5mm varifocal DC lens

Intelligent IR illumination

Menu-controlled setup

Digital noise reduction (DNR)

Intelligent backlight compensation (SBLC)

Privacy zones, mirror function, motion detection

Automatic/manual white balance (AWB)

High speed shutter (ESC & MES)

Manual 3-axis camera gimbal

Supply voltage 12VDC

For wall and ceiling flush and surface mount

Specifications

System	True Day&Night
Video standard	PAL
Sensor size	1/3"
Imager	CCD
Active picture elements	440,000 (H) 752 x (V) 582
Horizontal resolution	600 TVL
Synchronization	internal
Signal-to-noise ratio	50dB (AGC OFF)
Gamma correction	0.45
Sensitivity	0,18 Lux, (colour), 0.09Lux (B&W) at F1.2 (measured), 50 IRE
Automatic gain control (AGC)	ON/OFF, 0~20dB adjustable
Automatic electronic shutter (ESC)	1/50 ~ 1/120,000sec.
Manual electronic shutter (MES)	1/50 ~ 1/120,000sec.

VKCD-1326B/IR

(Continuation Specifications)

Low speed shutter	no
Digital Noise Reduction (DNR)	yes
Backlight compensation	SBLC
Wide Dynamic Range (WDR)	no
White balance	automatic, manual, push to set
Aperture Correction (APC)	horizontal, vertical
Flickerless function	ON/OFF switchable
IR cut filter	switchable, motorized, switchable filter. Automatic function depend on the amount of light, or fixed on "Day" or "Night" mode (Menu controlled)
Privacy zones masking	4 areas, masking, X/Y start/end
Menu languages	English
OSD function control	iris, shutter control, white balance, AGC, day&night, BLC, digital noise reduction (DNR), sharpness, mirror horizontal, motion detection, privacy zones
Text display	8 character labels, ON/OFF switchable
Activity detection	yes
Motion detector	4 zones, ON/OFF switchable
Mirror function	horizontal
Digital zoom	no
Analysis functions	no
Lens type	varifocal
Focal length	3,8 mm - 9,5 mm
Horizontal angle of view	64,6° - 28,4°
MOD (Minimum object distance)	0,15 m
Aperture range (F)	F1.2~F270
Iris control	DC
Video outputs	composite (CVBS), 1Vp-p, CVBS, 75ohms
Alarm inputs	no
Alarm outputs	no
Rotation range	360°
Illumination	infrared
External connections	video (BNC), voltage input
Serial interfaces	no
Housing	outdoor
Housing material	aluminium
Colour (bubble)	tinted
Colour (housing)	Pantone Cool Gray 1C
Heater	no
Mounting	wall mount, ceiling mount
Supply voltage	12VDC, (+/-20%)

VKCD-1326B/IR

(Continuation Specifications)

Power consumption	4W max.
Temperature range (operation)	-10°C ~+50°C
Protection rating	IP65
Vandalism resistant	yes
Dimensions (HxWxD)	see drawing
Parts supplied	dome camera, bag of screws, test monitor cable, DC cable with open ends, drilling template, manual
Certificates	CE

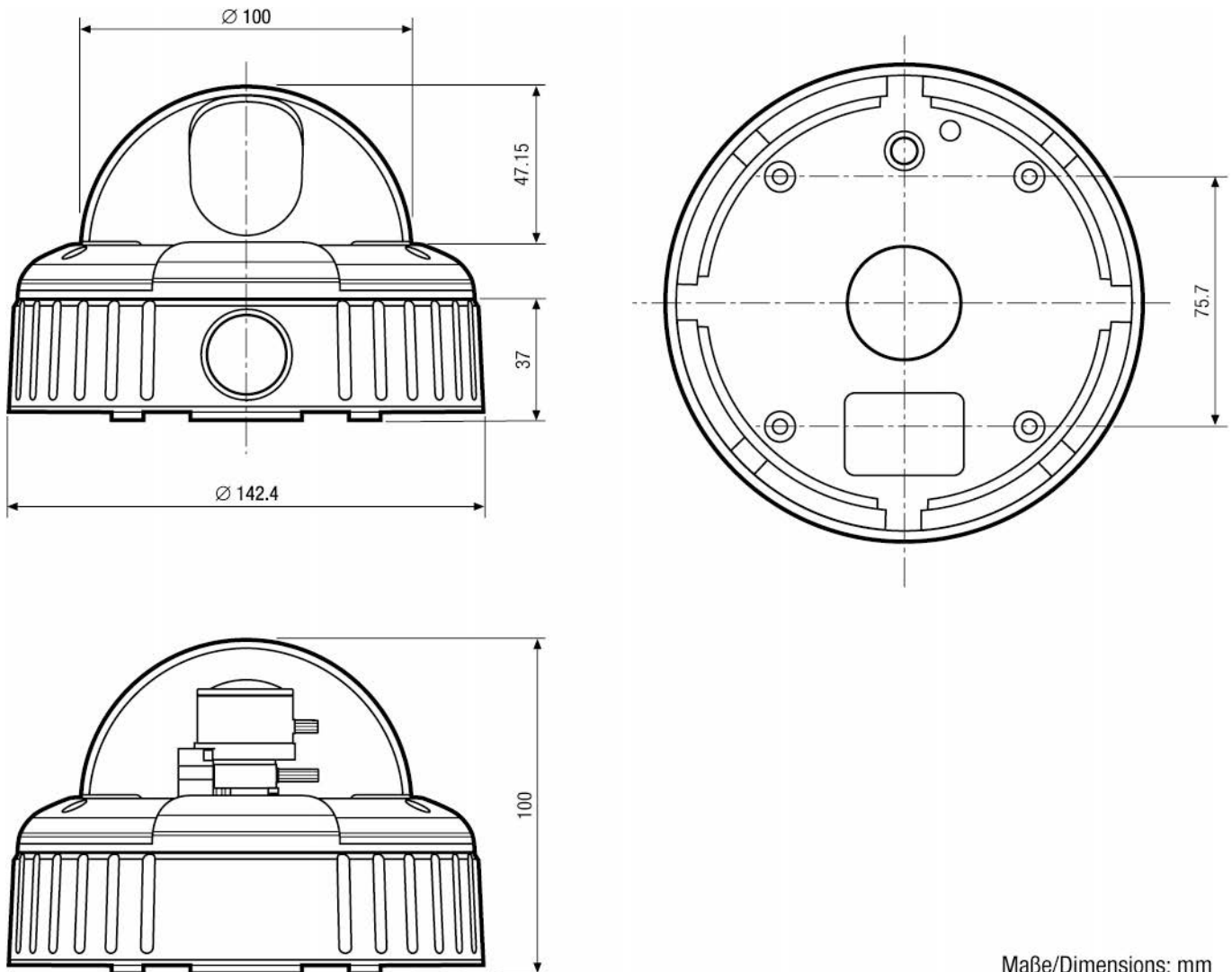
Optional accessories

7773	VT-PS12DCDT1	PSU 12VDC/1.0A, Regulated, Desktop Version, 1.8m Cables each w. open ends
70535	VT-PS12DC-8	Plug-in Power Supply Unit 100-240VAC 12VDC (1.0Amp), Regulated, with DC Plug
70495	VT-PS12DC-7	Plugable PSU w. Cont. & UK Mains plug-in 100- 240VAC/12VDC-1.25A, Regulated
74151	VDOME/WB2	Wall Mount Kit for Vandalism Resistant Dome Cameras SM/VF Series

VKCD-1326B/IR

Home | Security | Domes | Fixed

Technical drawing



Maße/Dimensions: mm

SLD Security & Communications
The Old Forge, Ockham Lane, Ockham, Surrey GU236PH England
Phone +44.1483225633 · Fax +44.1483225634
sales@sld.co.uk · www.sld.co.uk

