

VKCD-1328WSM/MF

Home | Security | Dome Cameras | Fixed

VKCD-1328WSM/MF
1/3" Day&Night Minidome, Surface Mount,
F1.8/3.7mm, 540TVL, 12VDC, white
Art-Nr. 92541



SLD Security & Communications

Main Features

For Wall and Surface Mount	Backlight Compensation (BLC)
Vandal Resistant	Automatic White Balance (ATW)
Removable IR Cut Filter	Manual 3-axis Camera Adjustment
Integrated Lens F2.0/3.7mm	White Aluminium Die-cast Casing
Resolution of 540 Horizontal Lines	Clear Lexan Bubble, 57mm
High Speed Shutter Control (ESC)	For Easy Indoor and Outdoor Installation (IP66)

Specifications

System	day&night
Video standard	PAL
Sensor size	1/3"
Imager	CCD, Sony Super HAD II Interline Transfer
Illumination	no
Active picture elements	440,000, 752(H) x 582(V)
Synchronization	Internal
Signal-to-noise ratio	50dB (AGC OFF)
Horizontal resolution	540 TVL
Sensitivity (at 50% video signal)	0.16Lux (colour), 0.1Lux at b&w (Videor measurement result at F1.2)
High-speed shutter (ESC)	1/50 ~1/100,000sec.
Integration rate	no
Automatic gain control (AGC)	Included
Digital Noise Reduction (DNR)	no
White balance (ATW)	3000 ~8000K (Automatic)
Backlight compensation	BLC, Center weighted

VKCD-1328WSM/MF

(Continuation Specifications)

Aperture Correction (APC)	Horizontal and vertical
IR cut filter	switchable
Video outputs (type)	CVBS
Video outputs	1Vp-p, (C)VBS, 75ohms, BNC
Lens type	fixed focal length
Lens	F2.0 / 3.7mm with fixed iris
Lens mount	integrated lens
Aspherical technology	n/a
Focal length	3,7 mm
Horizontal angle of view	67°
Iris control	no
Filter screw size	not available
MOD (Minimum object distance)	0,1 m
Serial interfaces	no
Cable connection	Video (BNC), 12VDC (DC jack)
Protection rating	IP66, at installation according to the manual
Supply voltage	12VDC, 12VDC (9 ~15VDC), 12VDC ±0.5V recommended
Power consumption	3.0watts
Temperature range (Operation)	-10° ~+50°C
Housing material	Aluminium
Housing	Outdoor
Hidden cable management	yes
Colour (housing)	white
Dimensions (HxWxD)	See drawing
Weight	260g
Parts supplied	Camera, Manual
Certificates	CE

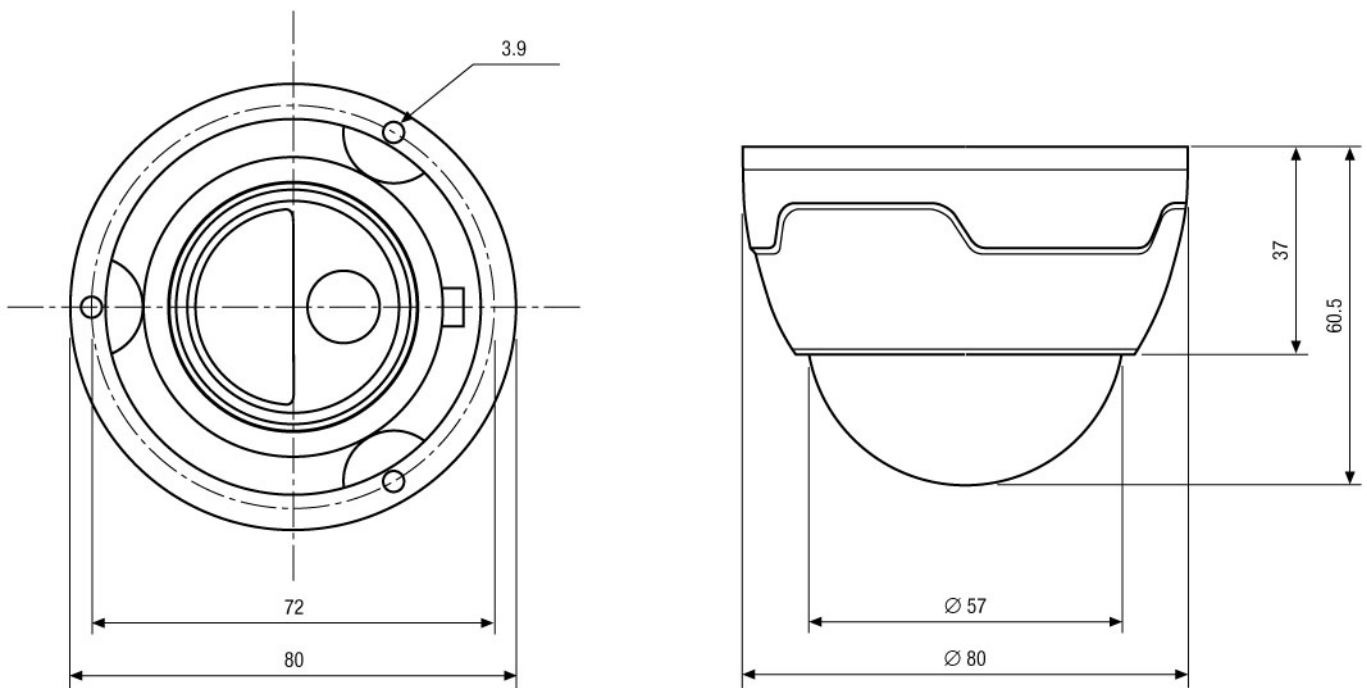
Optional accessories

77773	VT-PS12DCDT1	PSU 12VDC/1.0A, Regulated, Desktop Version, 1.8m Cables each w. open ends
70495	VT-PS12DC-7	Plugable PSU w. Cont. & UK Mains plug-in 100-240VAC/12VDC-1.25A, Regulated
70535	VT-PS12DC-8	Plug-in Power Supply Unit 100-240VAC 12VDC (1.0Amp), Regulated, with DC Plug

VKCD-1328WSM/MF

Home | Security | Dome Cameras | Fixed

Technical drawing



Maße/Dimensions: mm

SLD Security & Communications
The Old Forge, Ockham Lane, Ockham, Surrey GU236PH England
Phone +44.1483225633 · Fax +44.1483225634
sales@sld.co.uk · www.sld.co.uk

