

VKCD-1331-T

Home | Security | Dome Cameras | Fixed

VKCD-1331-T

1/3" Dome, Fixed, Day&Night, WDR, DNR, tinted,

F1.2/2.8-10.5mm, 600TVL, 12/24V

Art-Nr. 92598



SLD Security & Communications

Main Features

1/3" Sony progressive scan high resolution sensor
Removable IR cut filter (ICR)
Sensitivity of 0.22Lux at F1.2 (colour)
Digital image stabilisation (DIS)
Wide dynamic range (WDR) up to x160 (44dB)
Automatic Gain Control (AGC)

High and low speed shutter control (MES/DSS)
Digital noise reduction (2D&3D DNR)
Manual 3-axis camera gimbal
Multi-lingual on-screen menu control
Supply voltage: 12VDC or 24VAC
For wall and ceiling flush and surface mount

Specifications

Video standard	CCIR/PAL
System	day&night
Sensor size	1/3"
Imager	CCD, Sony Super HAD Progressive Scan Interline Transfer
Synchronization	internal
Signal-to-noise ratio	52db (AGC OFF)
Sensitivity (at 50% video signal)	0,22 Lux, (colour), 0.13Lux (B&W) at F1.2 (measured)
Horizontal resolution	600 TVL
Automatic gain control (AGC)	OFF / Low / Mid / High selectable
Horizontal resolution	(colour), 650 TVL (B&W)
Rotation range	359°
Tilt range	55° (+35° ~+90° from horizontal level)
Manual electronic shutter (MES)	1/120 ~1/10.000sec.

VKCD-1331-T

(Continuation Specifications)

Low speed shutter	yes, automatic, 2 ~256 Fps.
Digital Noise Reduction (DNR)	yes
Window blanking	Up to 8 masking areas
Digital Noise Reduction (DNR)	2D & 3D
Flickerless function	ON/OFF switchable
White balance	ATW / AWB, Indoor / Outdoor
White balance (ATW)	Range: 2,500~9,500K, to 1,800~10,500K switchable
Backlight compensation	BLC, adjustable zones, ON/OFF switchable
Wide Dynamic Range (WDR)	yes, 44dB
Aperture Correction (APC)	horizontal and vertical
IR cut filter	switchable
Video outputs	composite (CVBS), 1Vp-p, (C)VBS, 75ohms, BNC
Lens type	varifocal
Lens	F1.2 ~F260/2.8 ~11mm
Focal length	2,8 mm - 10,5 mm
Horizontal angle of view	81,2° - 25,8°
Digital zoom	1x ~10x
Aperture range (F)	F1.2~F260
Iris control	DC
MOD (Minimum object distance)	0,2 m
Focus range	0.2m ~∞
Filter screw size	not available
Alarm outputs	-
Illumination	no
Activity detection	yes
Motion detector	4 zones, ON/OFF switchable
Analysis Functions	no
Menu languages	English, German, French, Italian, Spanish
OSD function control	Brightness, Sharpness, Backlight Compensation, Electronic shutter (DSS), Manual high speed shutter (1/120 to 1/10,000), Automatic white balance, Manual white balance (Red/Blue), AGC, DNR, Motion Detection, Flickerless mode, Privacy window, Mirror, Day/Night
Text display	54 character label
Sharpness correction	adjustment range: 0 ~3
Brightness	adjustment range: -32 ~+32
External connections	Video (BNC), 2 pin power input
Serial interfaces	no
Temperature range (operation)	-10°C ~+50°C
Heater	optional
Protection rating	IP66

VKCD-1331-T

(Continuation Specifications)

Supply voltage	12VDC, 24VAC
Supply voltage	(+/-10%)
Power consumption	2W
Vandalism resistant	yes
Colour (bubble)	tinted,
Mounting	ceiling mount, flush mount, wall mount
Housing	outdoor
Housing material	aluminium
Colour (housing)	Pantone Warm Gray 1C, ,
Weight	1.1kg
Parts supplied	Screw set, Pipe cap driver, Torx wrench, Mounting template, Service monitor board and control cable, Manual
Certificates	CE

Optional accessories

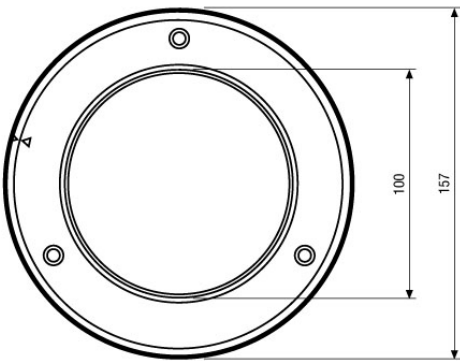
70535	VT-PS12DC-8	Plug-in Power Supply Unit 100-240VAC 12VDC (1.0Amp), Regulated, with DC Plug
70527	NE-132/AC24V	Power Supply Unit 230VAC/24VAC (1.0A)
70495	VT-PS12DC-7	Plugable PSU w. Cont. & UK Mains plug-in 100-240VAC/12VDC-1.25A, Regulated
77773	VT-PS12DCDT1	PSU 12VDC/1.0A, Regulated, Desktop Version, 1.8m Cables each w. open ends
92563	VDOME/WEDGE1	Wedge Mount Kit for VKCD-1329/IR and VKCD-1331
92565	VDOME/HB-K1	Heater & Blower Kit 24VAC for VKCD-1329/IR and VKCD-1331
92562	VDOME/WB4	Wall Mount Kit for VKCD-1329/IR and VKCD-1331

VKCD-1331-T

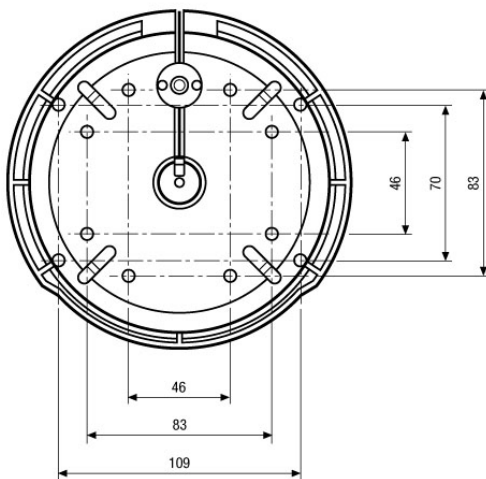
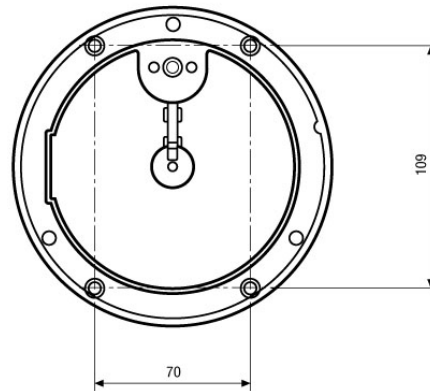
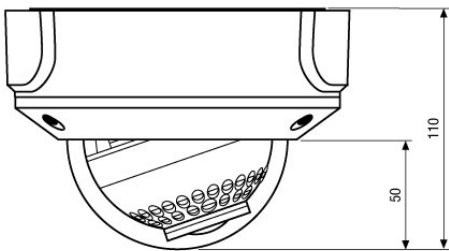
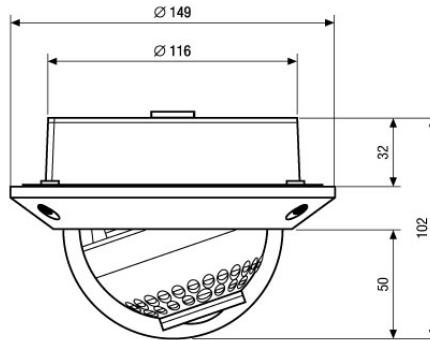
Home | Security | Dome Cameras | Fixed

Technical drawing

Aufbau / Surface Mount



Einbau / Flush Mount



Maße/Dimensions: mm

SLD Security & Communications
The Old Forge, Ockham Lane, Ockham, Surrey GU236PH England
Phone +44.1483225633 · Fax +44.1483225634
sales@sld.co.uk · www.sld.co.uk

SLD Security & Communications

