

VKCD-1333SM/49

Home | Security | Dome Cameras | Fixed

VKCD-1333SM/49
1/3" Dome, Fixed, Day&Night, 4-9mm 600TVL, 12VDC,

Art-Nr. 92575



Main Features

1/3" Sony Super HAD II CCD	Privacy masking/Mirror function/Motion detection
Sensitivity of 0.15Lux at F1.2	Integrated fix lens: F1.5/4-9mm
On-screen display (OSD)	Manual 3-axis camera gimbal
Backlight compensation (BLC)	Supply Voltage: 12VDC
High speed shutter control (MES/ESC)	Dome bubble size: 100mm diam.
Digital noise reduction (DNR)	For wall and ceiling surface mounting

Specifications

System	day&night
Video standard	PAL
Sensor size	1/3"
Imager	CCD
Imager	Sony Super HAD II Interline Transfer
Active picture elements	440,000 (H) 752 x (V) 582
Horizontal resolution	600 TVL
Synchronization	internal
Signal-to-noise ratio	50dB (AGC OFF)
Sensitivity (at 50% video signal)	0,15 Lux
Sensitivity (at 50% video signal)	(colour), 0.06Lux (B&W) at F1.2 (measured)
Automatic gain control (AGC)	ON/OFF switchable
Automatic electronic shutter (ESC)	1/50 ~ 1/120,000sec.

VKCD-1333SM/49

(Continuation Specifications)

Manual electronic shutter (MES)	1/50 ~ 1/120,000sec.
Low speed shutter	no
Digital Noise Reduction (DNR)	yes, adjustable: Max / Mid / Min, ON/OFF switchable
Backlight compensation	BLC
Backlight compensation	OFF/Low/Mid/High selectable
Wide Dynamic Range (WDR)	no
Aperture Correction (APC)	horizontal and vertical
Flickerless function	ON/OFF switchable
IR cut filter	OLPF (Overlay Low Pass Filter)
Privacy zones masking	4 areas selectable
Menu languages	English
OSD function control	Mirror (H), Day&Night, AGC, BLC, DNR, Flickerless, Shutter, Sharpness, Brightness, White balance, R-Y/B-Y, Privacy zones masking, Motion Detection, Text, DC level
Text display	8 character labels, ON/OFF switchable
Activity detection	yes
Motion detector	4 zones, ON/OFF switchable
Automatic white balance (AWB)	Available
Digital zoom	no
Analysis Functions	no
Lens type	varifocal
Focal length	4 mm - 9 mm
Horizontal angle of view	71° - 31,6°
MOD (Minimum object distance)	0,5 m
Aperture range (F)	F1.5~F250
Video outputs	composite (CVBS), 1Vp-p, (C)VBS, 75ohms, BNC
Rotation range	359°
Alarm inputs	-
Alarm outputs	-
PTZ support	no
Illumination	no
Serial interfaces	no
Housing material	plastic
Bubble	Polycarbonate plastic with black inner liner
Colour (bubble)	clear
Colour (housing)	Pantone Warm Gray 1C
Mounting	ceiling mount, wall mount
Supply voltage	12VDC, 12VDC (10 ~15VDC), 12VDC ±0.5V recommended
Power consumption	Approx. 2watts
Temperature range (operation)	-10°C ~+45°C

VKCD-1333SM/49

(Continuation Specifications)

Protection rating	n/a
Vandalism resistant	no
Dimensions (HxWxD)	see drawing
Weight	370g
Parts supplied	Screw set, Drilling template, Test Monitor cable, Manual
Certificates	CE
Iris control	DC
Alarm inputs	-
Camera ID	Via ID no. (alpha numeric 001~255)
Sharpness correction	adjustment range: 0 ~20
Brightness	adjustment range: 0 ~20
Internal adjustments	compass switch for menu access
Heater	no
Protection rating	at installation according to the manual
Camera adjustment	3-axis camera adjustment,
Housing	indoor

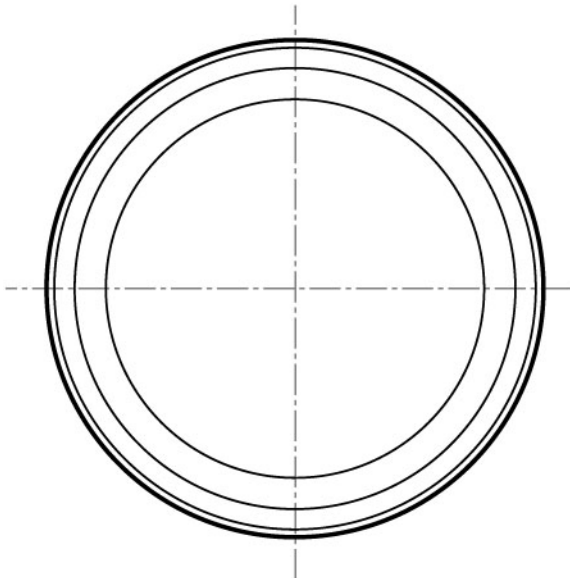
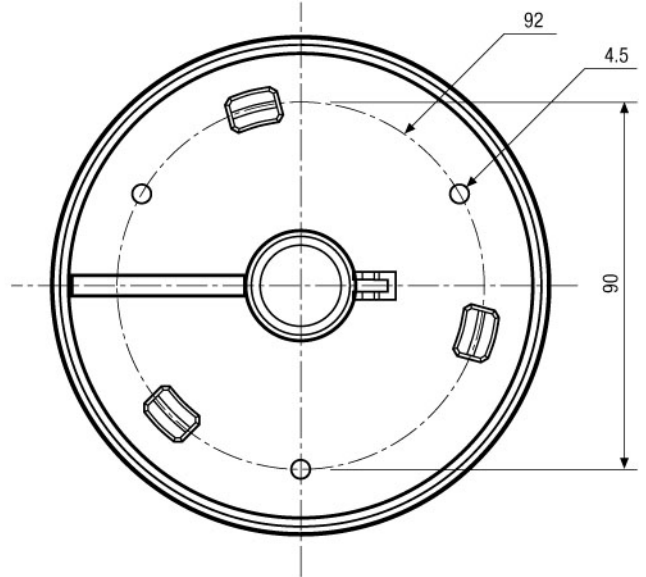
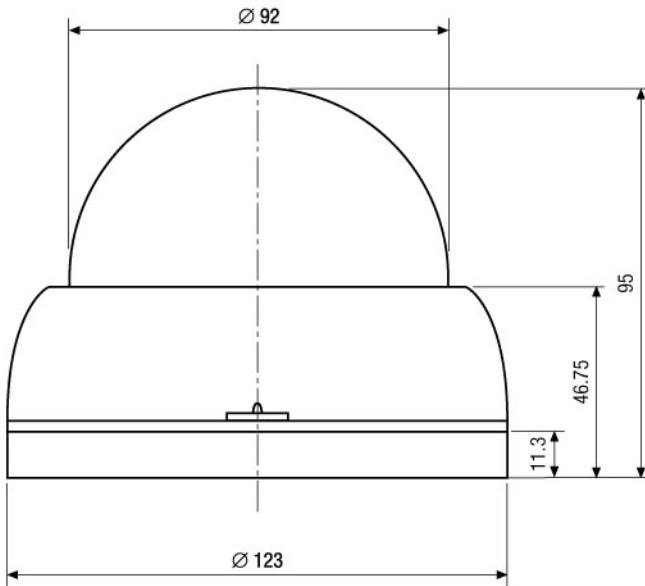
Optional accessories

70535	VT-PS12DC-8	Plug-in Power Supply Unit 100-240VAC 12VDC (1.0Amp), Regulated, with DC Plug
70495	VT-PS12DC-7	Plugable PSU w. Cont. & UK Mains plug-in 100-240VAC/12VDC-1.25A, Regulated
77773	VT-PS12DCDT1	PSU 12VDC/1.0A, Regulated, Desktop Version, 1.8m Cables each w. open ends

VKCD-1333SM/49

Home | Security | Dome Cameras | Fixed

Technical drawing



Maße/Dimensions: mm

SLD Security & Communications
The Old Forge, Ockham Lane, Ockham, Surrey GU236PH England
Phone +44.1483225633 · Fax +44.1483225634
sales@sld.co.uk · www.sld.co.uk

