

# Y12X6A-SE2

Home | Security | Lenses | Zoom

Y12X6A-SE2  
F1.5/6-72mm ND/DC Motor Zoom Lens, 1/3" CS Mount,

Art-Nr. 45222



## Main Features

Suitable for 1/3" and 1/4" colour and b&w cameras  
CS Mount  
DC Controlled Iris  
Lens Design Exclusive for Motorization

High standard of optical and mechanical quality  
Quality Motors on Focus and Zoom  
Adjustable Slip-ring Mount for Cable Positioning

## Specifications

Lens type	zoom
Day/Night	no
Megapixel	no
Aspherical technology	no
Nominal format size	1/3"
Flange focal length	12.5mm
Mount	CS
Focal length	6 mm - 72 mm
Horizontal angle of view	43,6° - 3,8°
MOD (Minimum object distance)	1,3 m
Aperture range (F)	F1.5~F400
Iris control	DC
Screw-in depth	4.0mm
Filter screw size	M55x0.75mm
Response time	Focus: 6sec. Zoom: 5sec. (at 12V)

## Y12X6A-SE2

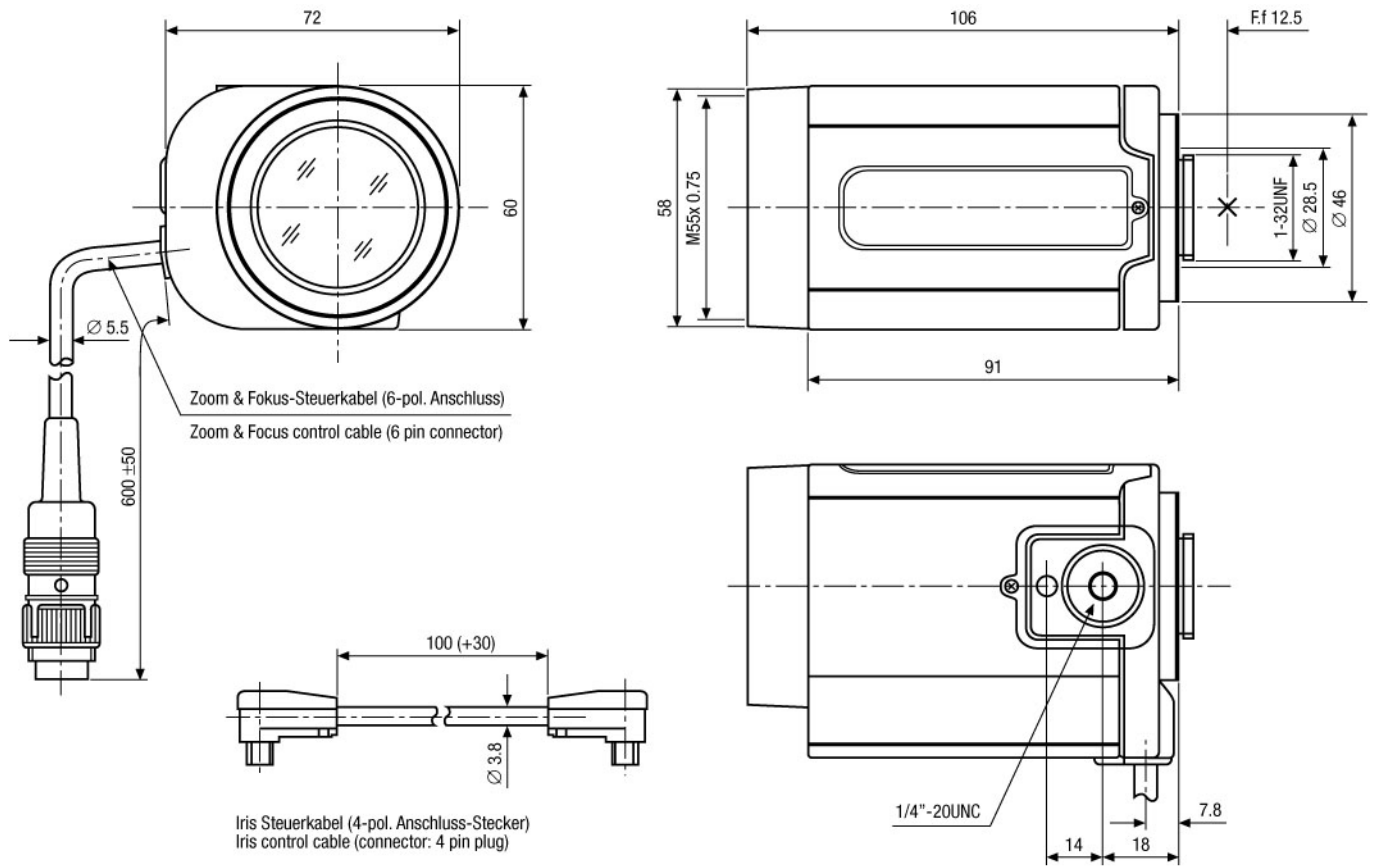
(Continuation Specifications)

<b>Supply voltage range</b>	12.0VDC +/-10%
<b>Max. current consumption/motor (run)</b>	approx. 40mA
<b>Motor clutch on focus/zoom</b>	yes
<b>Potentiometer on focus and zoom</b>	No
<b>Cable length</b>	approx. 600mm, 6-pin DIN plug
<b>Connection</b>	130mm, 4-pin DC plug
<b>Temperature range (operation)</b>	-10°C ~+50°C
<b>Length</b>	106 mm
<b>Width</b>	60 mm
<b>Height</b>	72 mm
<b>Dimensions (HxWxD)</b>	see drawing
<b>Weight</b>	350g

# Y12X6A-SE2

Home | Security | Lenses | Zoom

## Technical drawing



Maße/Dimensions: mm

SLD Security & Communications  
The Old Forge, Ockham Lane, Ockham, Surrey GU236PH England  
Phone +44.1483225633 · Fax +44.1483225634  
sales@sld.co.uk · www.sld.co.uk

