

# Y12X6A-YE2

Home | Security | Lenses | Zoom

Y12X6A-YE2  
F1.5/6-72mm ND/DC Motorzoom Lens, 1/3" CS Mount,  
with Potentiometers

Art-Nr. 45225



## Main Features

Suitable for 1/3" and 1/4" colour and b&w cameras  
CS Mount  
Potentiometers on Focus and Zoom  
DC Controlled Iris

Lens Design Exclusive for Motorization  
High standard of optical and mechanical quality  
Quality motors on focus and zoom  
Adjustable slip-ring mount for cable positioning

## Specifications

Lens type	Zoom with potentiometers
Day/Night	no
Megapixel	no
Aspherical technology	no
Nominal format size	1/3"
Flange focal length	12.5mm
Mount	CS
Focal length	6 mm - 72 mm
Horizontal angle of view	43,6° - 3,8°
MOD (Minimum object distance)	1,3 m
Aperture range (F)	F1.5~F400
Iris control	DC
Screw-in depth	4.0mm
Filter screw size	M55x0.75mm
Response time	Focus: 6sec. Zoom: 5sec. (at 12V)

## Y12X6A-YE2

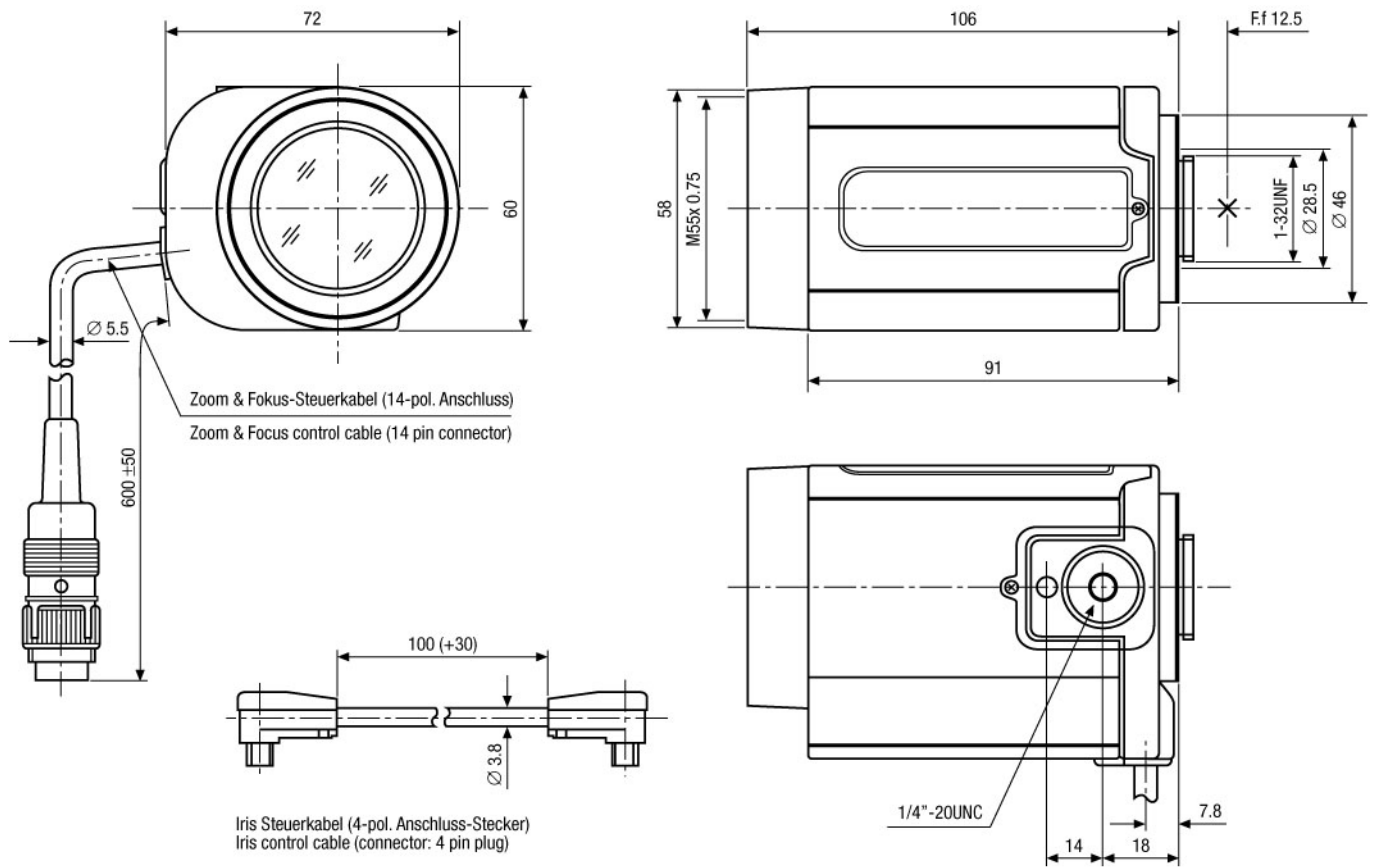
(Continuation Specifications)

<b>Supply voltage range</b>	12.0VDC +/-10%
<b>Max. current consumption/motor (run)</b>	approx. 40mA
<b>Motor clutch on focus/zoom</b>	yes
<b>Potentiometer on focus and zoom</b>	yes
<b>Cable length</b>	approx. 600mm, 6-pin DIN plug
<b>Connection</b>	130mm, 4-pin DC plug
<b>Temperature range (operation)</b>	-10°C ~+50°C
<b>Length</b>	106 mm
<b>Width</b>	60 mm
<b>Height</b>	72 mm
<b>Dimensions (HxWxD)</b>	see drawing
<b>Weight</b>	350g

# Y12X6A-YE2

Home | Security | Lenses | Zoom

## Technical drawing



Maße/Dimensions: mm

SLD Security & Communications  
The Old Forge, Ockham Lane, Ockham, Surrey GU236PH England  
Phone +44.1483225633 · Fax +44.1483225634  
sales@sld.co.uk · www.sld.co.uk

