

VKC-1327A/WDDG2

Home | Security | Dome Cameras | Fixed

VKC-1327A/WDDG2

1/3" Dome, Fixed, Day&Night, clear, 3.8-9.5mm,

540TVL, 12VDC/24VAC

Art-Nr. 92167



Main Features

For wall and drop-ceiling mounting

Vandal and tamper-resistant

Clear Lexan bubble with inner liner

1/3" day&night CCD board camera with varifocal lens

Built-in lens F1.2/3.8-9.5mm with DC iris control

Resolution of 540 horizontal lines

Removable IR cut filter

Automatic shutter control (AES)

Backlight compensation (BLC)

Manual 3-axis camera adjustment

For easy indoor and outdoor installation

Specifications

Video standard	CCIR/PAL
System	day&night, CCIR/PAL
Sensor size	1/3"
Imager	CCD, Sony Super HAD Interline Transfer
Active picture elements	440,000, 752(H) x 582(V)
Synchronization	Internal/Line-lock (automatic detection depend on power source)
Signal-to-noise ratio	48dB
Sensitivity (at 50% video signal)	0,5 Lux, (colour), 0.24Lux (B&W) at F1.2 (measured)
Horizontal resolution	540 TVL
Automatic gain control (AGC)	Normal/Turbo (+6dB)
Rotation range	manual: 360°
Automatic electronic shutter (ESC)	1/50 - 1/100,000sec.
Low speed shutter	no

VKC-1327A/WDDG2

(Continuation Specifications)

Digital Noise Reduction (DNR)	no
White balance (ATW)	2000 ~8000K, Automatic
Backlight compensation	BLC
Gamma correction	approx. 0.45
Backlight compensation	ON/OFF switchable
Wide Dynamic Range (WDR)	no
IR cut filter	switchable
Video outputs	composite (CVBS), 1Vp-p, CVBS, 75ohms
Lens type	varifocal
Lens	F1.2/F2.0~360 / 3.8~9.5mm with galvanometer controlled iris
Focal length	3,8 mm - 9,5 mm
Horizontal angle of view	74,2° - 30°
Digital zoom	no
Iris control	DC
MOD (Minimum object distance)	0,15 m
Focus range	0.15m ~∞
Filter screw size	not available
Alarm outputs	-
Illumination	no
Activity detection	no
Motion detector	no
Internal adjustments	8 Dip switches: Internal/Line-lock synchronization, ELC/ALC (Shutter/Auto-Iris), BLC ON/OFF, AGC Normal/Turbo, Flickerless ON/OFF, Sharpness Normal/Sharp, Day/Night mode Enabled/Disabled, IR mode ON/OFF (Iteration reduction between day and night position). 2 Potentiometers: Level for DC controlled iris, V. phase adjustment (220° min. adjustable)
Cable connection	Video (BNC), Power (2 pin screw terminal)
Cable entry	3/4" and 1/2" thread for conduit glands, lock stopper included
Serial interfaces	no
Temperature range (operation)	-10°C ~+50°C
Heater	optional
Thermostat switching points	+2.4°C ON / +22°C OFF (heater kit 12V, #71664, optional)
Temperature range with built-in heater	-30°C ~+50°C
Protection rating	IP65
Protection rating	at installation according to the manual
Supply voltage	12VDC, 24VAC
Supply voltage	12VDC (10.5~30VDC) 24VAC (12~29VAC)
Power consumption	approx. 3.0watts
Vandalism resistant	yes
Bubble	PC plastic bubble with inner liner, vandal resistant

VKC-1327A/WDDG2

(Continuation Specifications)

Colour (bubble)	clear,
Mounting	ceiling mount, wall mount
Housing	outdoor
Housing	Die-cast aluminium with clear polycarbonate bubble
Housing material	aluminium
Colour (housing)	Pantone Cool Gray 1C
Dimensions (HxWxD)	see drawing,
Weight	approx. 750g
Parts supplied	Mounting kit, 1/2" gland, Blind covers, Torx wrench key
Certificates	CE

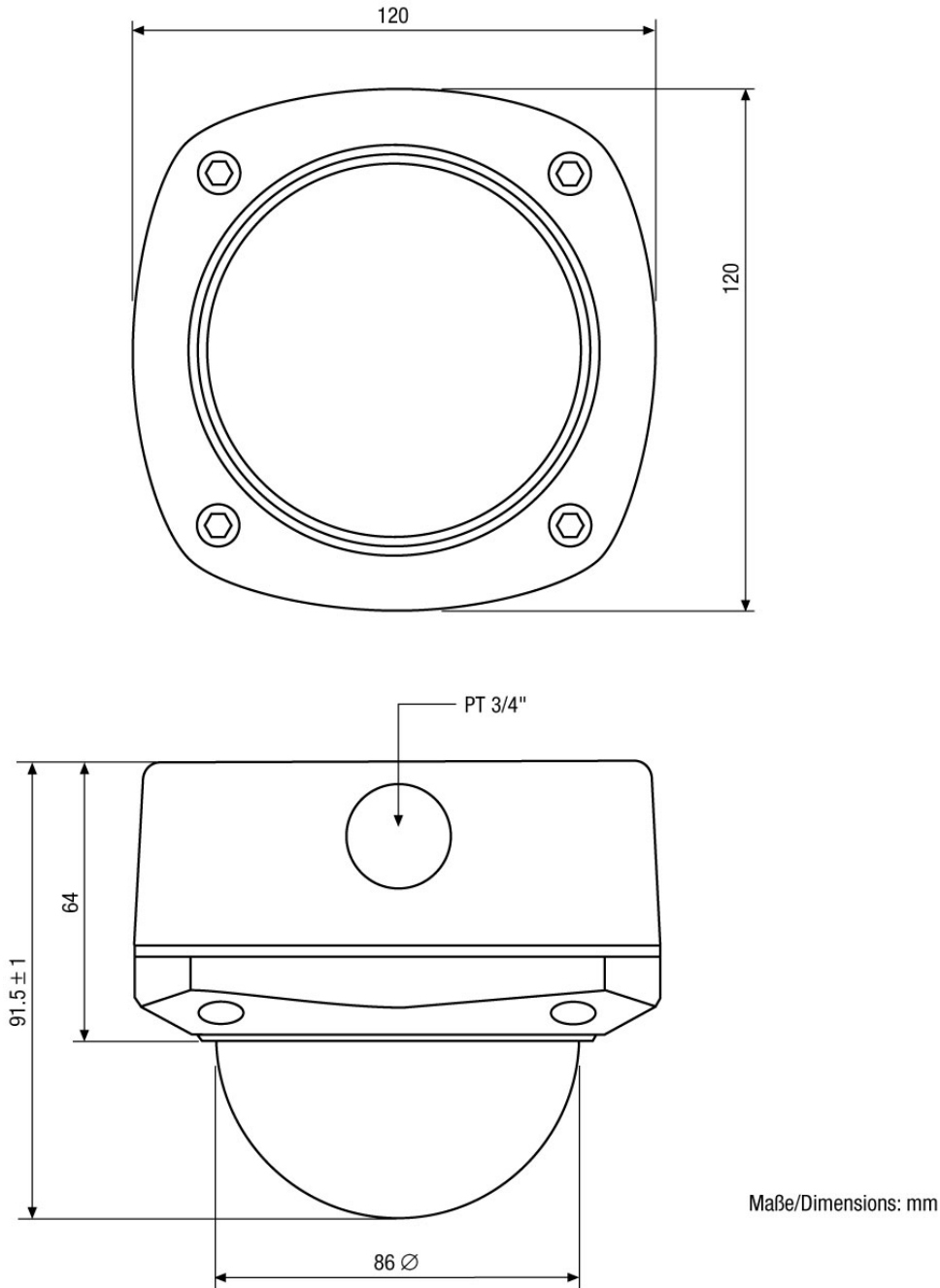
Optional accessories

77773	VT-PS12DCDT1	PSU 12VDC/1.0A, Regulated, Desktop Version, 1.8m Cables each w. open ends
70495	VT-PS12DC-7	Plugable PSU w. Cont. & UK Mains plug-in 100-240VAC/12VDC-1.25A, Regulated
88149	3/4" - M25X1.5	Thread Adapter 3/4" - Conduit Connection M25x1.5mm for Dome Surface Mount Housing
71664	WDDG2/H12	Low Voltage Heater Kit 12V/8W for WDDG-2 housing
70543	VT-PS12DC-10	Plugable AC/DC Adapter 100-240V/12VDC- 2.5A, stab., Cont. & UK Mains plug-ins

VKC-1327A/WDDG2

Home | Security | Dome Cameras | Fixed

Technical drawing



SLD Security & Communications
The Old Forge, Ockham Lane, Ockham, Surrey GU236PH England
Phone +44.1483225633 · Fax +44.1483225634
sales@sld.co.uk · www.sld.co.uk

