

VMC-15LCD-HMC1

Home | Security | Monitors | TFT/LCD

VMC-15LCD-HMC1
15''(38.1cm) LCD/TFT Professional Monitor ,
1024x768, CVBS, Y/C, RGB, Audio, 12VDC

Art-Nr. 90545



Main Features

Professional LCD/TFT Monitor
PAL/NTSC Auto Selection
Multiple Language On-screen Menu Driven Set-up
Colour Edge Sharpness at max. Resolution
Resolution of 1280x1024 Pixels (SXGA) / 540TVL
CVBS, S-Video, Audio and RGB Input

High Contrast and High Brightness Ratio
Quick Signal Switching / Fast Response Time
Integrated Loudspeakers
Supply Voltage: 12VDC
Robust and Compact Metal Cabinet
Options: Table Stand/Mounting Bracket, 19''Rack

Specifications

Video standard	PAL/NTSC (automatic selection)
Display element	Colour TFT/LCD
Screen size	15''
Screen Size (cm)	38.1 cm
Pixel format	1024 (H) x 768 (V) 0.297x0.297mm
Pixel fault class	ISO 13406-2, Class II
Scanning method	Digital progressive scan (Frame/Motion mode)
Resolution pixels	1024 x 768
Resolution	CVBS & Y/C: 540TV lines, VGA: 640x480 (60~75 Hz), SVGA: 800x600 (56~75Hz), XGA: 1024x768 (60~75Hz)
Comb Filter	The digital PAL 3D comb filter decoder offsets the preceding and succeeding images in order to achieve a better separation of the interwoven colour and black-and-white signals. Prevents colour streaks and uneven edges of colour

VMC-15LCD-HMC1

(Continuation Specifications)

Colour scales	16.2 mio
Contrast ratio typical	700:1
Brightness typical	250 cd/m ²
Viewing angle vertical	130°
Viewing angle horizontal	160°
Light source	2CCFL
Response time typical	16 ms, tr/ff
PC interfaces	VGA, Analog RGB (0.714Vp-p, 75ohms), H & V sync. (TTL), 15-pin D-Sub
Video inputs (type)	Y/C, VGA, composite (CVBS)
Video inputs	CVBS: 1Vp-p, 75ohms, BNC Y/C: Y= 0.7Vp-p, C= 0.3Vp-p, 75ohms, 4-pin Mini DIN. Loop-through inputs, automatic 75ohms termination
Audio inputs	2
Audio input	Stereo (Cinch)
Audio output power	2x 0.5watts
Menu languages	English, German, French, Spanish, Italian, Polish, Czech, Russian
Supply voltage	12VDC (±0.5V)
Power consumption	36watts
External adjustments	On-screen control, ON/OFF
Temperature range (operation)	0°C ~+40°C
Housing material	aluminium
Mount	VESA standard (4 threads M4, 100x100mm)
Colour (housing)	anthracite
Dimensions (HxWxD)	286x349x43mm
Total height with stand	345mm
Weight	2.7kg
Parts supplied	PSU 100~240V/12VDC with power cord, VGA cable, Multi-language manual
Certificates	TÜV-Ergo

Optional accessories

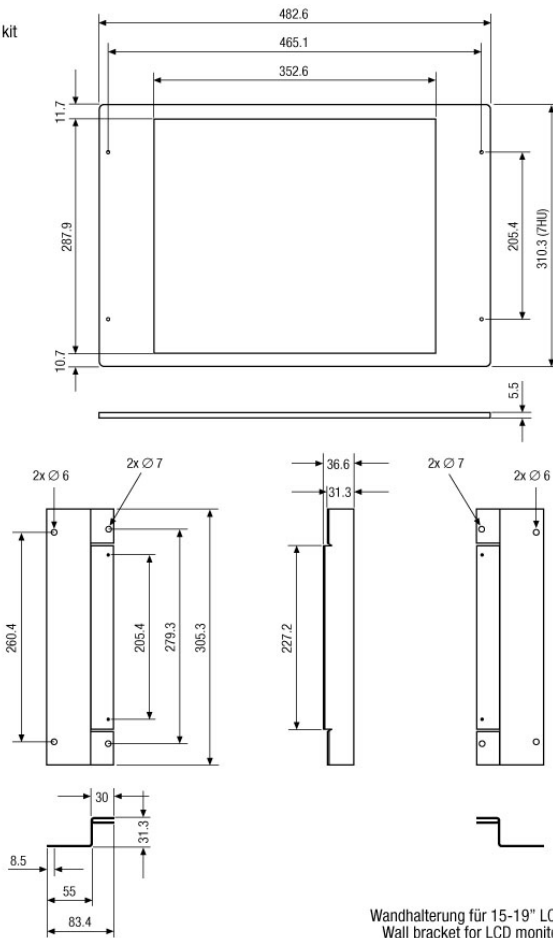
90468	VMC-LCD/WMB-4	Wall Bracket for LCD Monitors up to 23", Pan and Tilttable
90505	UNO	Wall Bracket for LCD Monitors up to 23", Pan and Tilttable
90553	LCD-ST/HM	Desktop Mount for LCD Monitor, Series VMC-15/17/19, VESA Standard
90394	VMC-LCD/WCMB-1	Wall/Ceiling Bracket for LCD Monitors 15"/17"/19" P/CP/CM/HPC/HMC1 Series
90396	LCD-15P-RMK	19" Kit for 15" LCD Monitor (VMC-15LCD-P and VMC-15LCD-HMC1)
90449	VMC-LCD/CMB-1	Ceiling Mount Bracket, Pan and Tilttable for LCD Monitors 19" to 30"

VMC-15LCD-HMC1

Home | Security | Monitors | TFT/LCD

Technical drawing

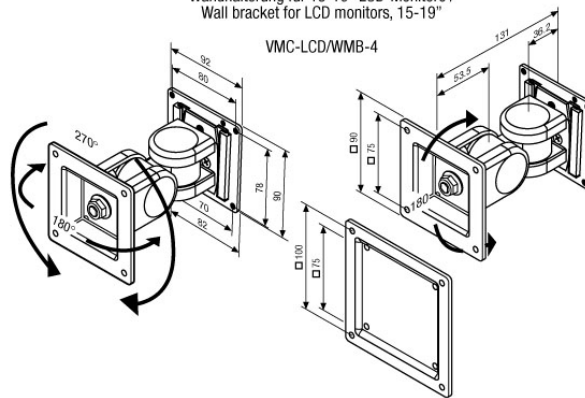
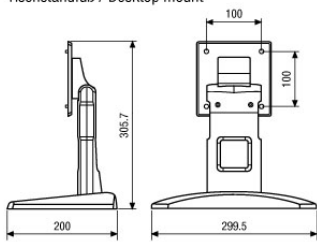
19"-Einbaukit /
19" Rack mount kit



Wandhalterung für 15-19" LCD-Monitore /
Wall bracket for LCD monitors, 15-19"

VMC-LCD/WMB-4

Tischstandfuß / Desktop mount



Maße/Dimensions: mm

SLD Security & Communications
The Old Forge, Ockham Lane, Ockham, Surrey GU236PH England
Phone +44.1483225633 · Fax +44.1483225634
sales@sld.co.uk · www.sld.co.uk

