

VMC-6.4/2-MM1

Home | Security | Monitors | TFT/LCD

VMC-6.4/2-MM1
6.4"(16.3cm) LCD/TFT Monitor Module, 320x234,

2x Composite, 12VDC

Art-Nr. 90518



SLD Security &
Communications

Main Features

Display Screen Size: 6.4"(16.3cm)

PAL/NTSC Auto Selection

Resolution of 320x234 Pixels

2x Video CVBS Inputs

On-screen Menu Control

Mirror Function

Supply Voltage: 12VDC

Separate Control Board

Low Power Consumption

Metal Module Housing

Specifications

Video standard	PAL / NTSC (auto selection)
Synchronization	Internal
Display element	Colour TFT/LCD
Screen size	6.4"
Screen Size (cm)	16.3 cm
Horizontal resolution	320 pixels (RGB triple: 3x 320 Px.)
Vertical resolution	234 pixels
Resolution pixels	320 x 234
Contrast ratio typical	350:1
Brightness typical	330 cd/m ²
Viewing angle vertical	95°
Viewing angle horizontal	120°
Response time typical	40 ms, Tr: 15ms, Tf: 25ms
PC interfaces	no

VMC-6.4/2-MM1

(Continuation Specifications)

Video inputs (type)	CVBS
Video inputs	2x 1Vp-p, (C)VBS, 75ohms
Audio inputs	-
Supply voltage	12VDC (+/-10%)
Power consumption	8watts
External adjustments	Power ON/OFF, Mode, OSD menu
Connectors	2x BNC socket, DC voltage socket
Temperature range (Operation)	-20°C ~+70°C
Housing material	Aluminium
Colour (housing)	silver grey
Dimensions (HxWxD)	See drawing
Weight	235g
Parts supplied	Control board
Certificates	CE
Options	Audio inputs

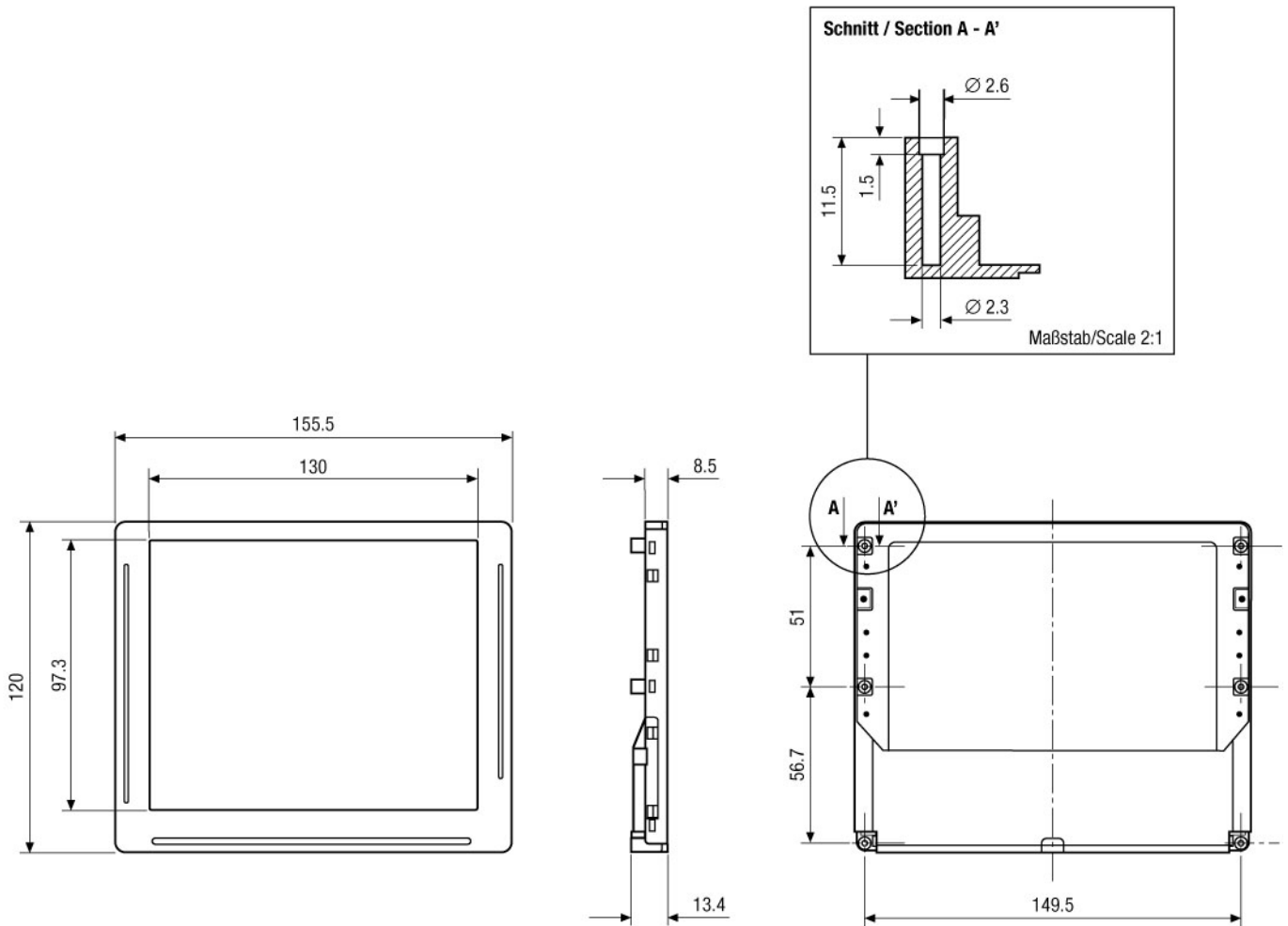
Optional accessories

70535	VT-PS12DC-8	Plug-in Power Supply Unit 100-240VAC 12VDC (1.0Amp), Regulated, with DC Plug
-------	-------------	--

VMC-6.4/2-MM1

Home | Security | Monitors | TFT/LCD

Technical drawing



Maße/Dimensions: mm

SLD Security & Communications
The Old Forge, Ockham Lane, Ockham, Surrey GU236PH England
Phone +44.1483225633 · Fax +44.1483225634
sales@sld.co.uk · www.sld.co.uk

