

SLD Security & Communications
The Old Forge, Ockham Lane, Ockham, Surrey GU236PH England
Phone +44.1483225633 · Fax +44.1483225634
sales@sld.co.uk · www.sld.co.uk

AXIS M30 Network Camera Series

Ultra-discreet, recessed-mount video surveillance solutions.



- > Ultra-discreet fixed dome design
- > HDTV quality
- > Multiple H.264 streams
- > Easy installation
- > Power over Ethernet

AXIS M3011 and AXIS M3014 Network Cameras, with their innovative and unique design, are specifically developed for recessed mounting in drop ceilings, offering unmatched, discreet video surveillance solutions that are ideal for retail stores, banks and other office buildings.

With their ultra-discreet fixed dome design, AXIS M3011 and AXIS M3014 measure only 9 cm (3.6") wide and protrude only 3 cm (1.2") from the ceiling. To suit interior design the cover ring is available in a range of colors.

AXIS M30 Network Cameras are innovatively designed for quick and easy installation in drop ceilings. Power over Ethernet (IEEE 802.3af) supplies power to the cameras via the network, eliminating the need for power cables and reducing installation costs.

AXIS M30 Network Cameras use progressive scan, providing full resolution images of moving objects without distortion, in 30 frames per second. AXIS M3011 provides crisp and clear images in VGA resolution, whereas the AXIS M3014 delivers high-quality HDTV 720p or 1 megapixel video, perfect for critical areas such as entrances or checkouts that need to be monitored in greater detail.

Multiple H.264 streams, as well as Motion JPEG streams, can be provided simultaneously either in full frame rate or individually optimized for different quality needs and bandwidth constraints. AXIS M3011 also supports MPEG-4 Part 2 for backward compatibility.



Technical Specifications – AXIS M30 Network Camera Series

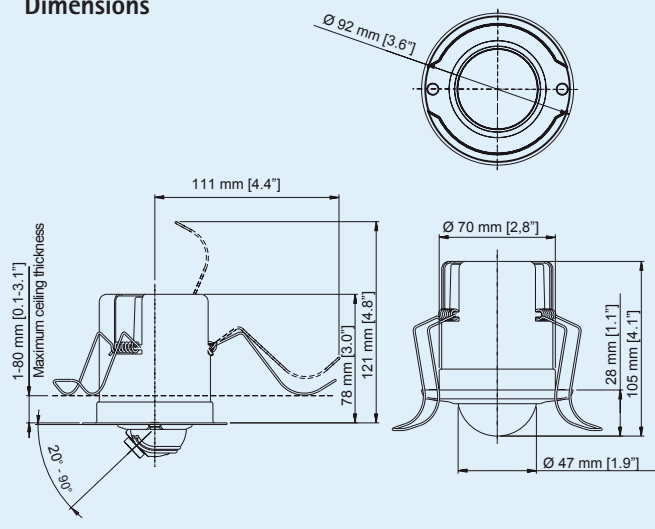
Camera	
Image sensor	AXIS M3011: 1/4 " Progressive scan RGB CMOS VGA AXIS M3014: 1/4" Progressive scan RGB CMOS 1 Megapixel
Lens	AXIS M3011: 3.0 mm, F2.0, fixed iris Horizontal angle of view: 66° AXIS M3014: 2.9 mm, F2.0, fixed iris Horizontal angle of view: 80°
Minimum illumination	1 lux, F2.0
Shutter time	AXIS M3011: 1/5000 s to 1/4 s AXIS M3014: 1/25000 s to 1/6 s
Pan/Tilt/Zoom	AXIS M3014: Digital PTZ, preset positions, guard tour
Video	
Video compression	AXIS M3011: H.264 (MPEG-4 Part 10/AVC), Motion JPEG, MPEG-4 Part 2 (ISO/IEC 14496-2) AXIS M3014: H.264 (MPEG-4 Part 10/AVC), Motion JPEG
Resolutions	AXIS M3011: 640x480 to 160x120 AXIS M3014: 1280x800 to 160x90
Frame rate H.264	30 fps in all resolutions
Frame rate Motion JPEG	30 fps in all resolutions
Frame rate MPEG-4 Part 2	AXIS M3011: 30 fps in all resolutions
Video streaming	Controllable frame rate and bandwidth AXIS M3011: Multi-stream H.264, Motion JPEG and MPEG-4 Part 2 H.264/MPEG-4 Part 2: 1 stream in full frame rate and resolution, Motion JPEG: 2 individually configured streams in full frame rate and resolution, more streams in either compression if identical or limited in frame rate/resolution VBR/CBR H.264 & MPEG-4 Part 2 AXIS M3014: Multi-stream H.264 and Motion JPEG H.264/Motion JPEG: 1 stream in full frame rate and resolution in either compression, more streams if identical or limited in frame rate/resolution VBR/CBR H.264
Image settings	Compression, color, brightness, sharpness, contrast, white balance, exposure control, exposure zones, backlight compensation, fine tuning of behavior at low light, rotation Text and image overlay Privacy mask AXIS M3014: Mirroring of images

Network	
Security	Password protection, IP address filtering, HTTPS* encryption, digest authentication, user access log
Supported protocols	IPv4/v6, HTTP, HTTPS*, QoS Layer 3 DiffServ, FTP, SMTP, Bonjour, UPnP, SNMPv1/v2c/v3(MIB-II), DNS, DynDNS, NTP, RTSP, RTP, TCP, UDP, IGMP, RTCP, ICMP, DHCP, ARP, SOCKS
System integration	
Application Programming Interface	Open API for software integration, including VAPIX® from Axis Communications available at www.axis.com
Intelligent video	Video motion detection, active tampering alarm
Alarm triggers	Intelligent video
Alarm events	File upload via FTP, HTTP and email Notification via email, HTTP and TCP
Video buffer	AXIS M3011: 16 MB pre- and post alarm AXIS M3014: 40 MB pre- and post alarm
Installation aids in software	Pixel counter
General	
Casing	Metal camera module holder, plastic camera module casing, plastic transparent cover and white cover ring
Processor and memory	AXIS M3011: ARTPEC-B, 64 MB RAM, 32 MB Flash AXIS M3014: ARTPEC-3, 128 MB RAM, 128 MB Flash
Power	Power over Ethernet IEEE 802.3af Class 1
Connectors	RJ-45 10BASE-T/100BASE-TX PoE
Operating conditions	Humidity 20 - 80% RH (non-condensing) AXIS M3011: 0 - 50 °C (32 - 122 °F) AXIS M3014: 0 - 45 °C (32 - 113 °F)
Approvals	EN 55022 Class B, EN 61000-3-2, EN 61000-3-3, EN 55024, FCC Part 15 Subpart B Class B, ICES-003 Class B, VCCI Class B, C-tick AS/NZS CISPR 22, MIC Class B, EN 60950-1 AXIS M3014: KCC class B
Weight	260 g (0.6 lb.) (midspan not included)
Included accessories	AXIS PoE Midspan 1-port, Installation Guide, CD with installation tools, recording software and User's Manual, Windows decoder 1-user license

*This product includes software developed by the OpenSSL Project for use in the OpenSSL Toolkit. (www.openssl.org)

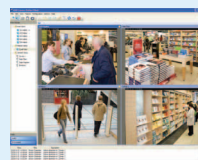
More information is available at www.axis.com

Dimensions



Optional accessories

Different color options for cover rings



For information on AXIS Camera Station and video management software from Axis' Application Development Partners, see www.axis.com/products/video/software/