

AXIS Q7406 Video Encoder Blade

High-density video surveillance solution with outstanding H.264 performance.



- > High-density solution
- > Superb video quality
- > Multiple H.264 streams
- > Image setting adjustment
- > Intelligent video capabilities

AXIS Q7406 Video Encoder Blade is a six-channel blade for video encoder rack solutions, enabling large numbers of analog cameras to be integrated into an IP-based, high-density video surveillance system. The high-performance video encoder blade provides superb video quality and outstanding compression capabilities.

When AXIS Q7406 blades are used with AXIS Q7900 Rack, up to 84 analog cameras can be supported in one 4U, 19-inch rack.

AXIS Q7406 offers the highly efficient H.264 video compression, which drastically reduces bandwidth and storage requirements without compromising image quality. Motion JPEG is also supported for increased flexibility.

AXIS Q7406 can deliver multiple, individually configurable video streams from each channel at full frame rate in all resolutions up to D1 (720x480 in NTSC, 720x576 in PAL). This means that for each channel, several video streams can be configured with different compression formats, resolutions and frame rates for different needs.

The video encoder also enables users to adjust image settings such as contrast, brightness and saturation to improve images before encoding takes place.

AXIS Q7406 includes intelligent capabilities such as enhanced video motion detection and active tampering alarm. The encoder's external inputs and outputs can be connected to devices such as sensors and relays, enabling the system to react to alarms and activate lights or open/close doors.

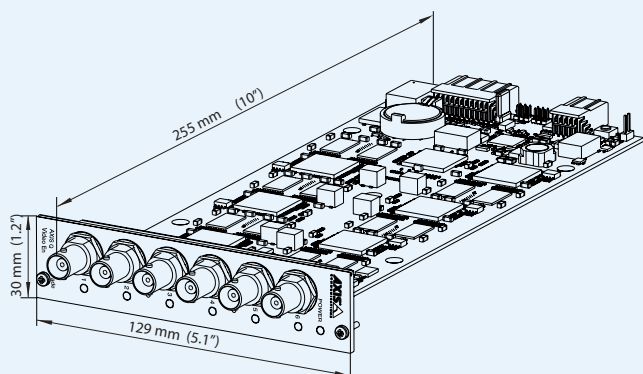


Technical specifications – AXIS Q7406 Video Encoder Blade

Video encoder		System integration	
Video compression	H.264 (MPEG-4 Part 10/AVC) Motion JPEG	Application Programming Interface	Open API for software integration, including VAPIX® from Axis Communications available at www.axis.com AXIS Camera Application Platform from Axis Communications; specifications available at www.axis.com Includes the ONVIF specification available at www.onvif.org Support for AXIS Video Hosting System (AVHS) with One-Click Camera connection
Resolutions	176x120 to 720x576	Intelligent video	Video motion detection, active tampering alarm Support for AXIS Camera Application Platform enabling installation of additional applications
Frame rate H.264	30/25 (NTSC/PAL) fps in all resolutions	Alarm triggers	Intelligent video, external inputs, video loss
Frame rate Motion JPEG	30/25 (NTSC/PAL) fps in all resolutions	Alarm events	File upload via FTP, HTTP and email Notification via email, HTTP and TCP PTZ preset External output activation
Video streaming	Multi-stream H.264 and Motion JPEG: 3 simultaneous, individually configured streams in max. resolution at 30/25 fps; more streams if identical or limited in frame rate/resolution Controllable frame rate and bandwidth VBR/CBR H.264	Video buffer	64 MB pre- and post-alarm
Image settings	Compression, color, brightness, contrast Rotation: 90°, 180°, 270° Aspect ratio correction Mirroring of images Text and image overlay Privacy mask Enhanced deinterlace filter	General	
Pan/Tilt/Zoom	Wide range of analog PTZ cameras supported (drivers available for download at www.axis.com) 100 presets/camera, guard tour, PTZ control queue Supports Windows compatible joysticks	Processors and memory	6x ARTPEC-3, 6x 128 MB RAM, 6x 128 MB Flash
Network		Power	12 V DC, max. 15.4 W
Security	Password protection, IP address filtering, HTTPS encryption, IEEE 802.1X network access control, digest authentication, user access log	Connectors	6 analog composite video BNC input, NTSC/PAL auto-sensing 1000BaseT Ethernet Terminal block for up to 12 configurable external inputs/outputs and up to 6 RS-485 half duplex, depending on the rack
Supported protocols	IPv4/v6, HTTP, HTTPS, QoS layer 3 DiffServ, FTP, SMTP, Bonjour, UPnP, SNMPv1/v2c/v3(MIB-II), DNS, DynDNS, NTP, RTSP, RTP, TCP, UDP, IGMP, RTCP, ICMP, DHCP, ARP, SOCKS	Operating conditions	0-45 °C (32-113 °F) Humidity 20-80% RH (non-condensing)
		Approvals	EN 55022 Class B, EN 61000-3-2, EN 61000-3-3, EN 55024, EN61000-6-1, EN61000-6-2, FCC Part 15 Subpart B Class B, ICES-003 Class B, VCCI Class B, C-tick AS/NZS CISPR 22, EN 60950-1
		Weight	270 g (0.6 lb.)
		Included accessories	Installation Guide, CD with installation and management tools, software and User's Manual, 6 Windows decoder user licenses

More information is available at www.axis.com

Dimensions



Required hardware

AXIS Q7900 Rack



AXIS 291 1U Video Server Rack



Optional accessories

AXIS T8310 Video Surveillance Control Board



For information on AXIS Camera Station and video management software from Axis' Application Development Partners, see www.axis.com/products/video/software/