

NLC-1401

Home | Security | IP Cameras | Standard

NLC-1401

1/3" Network Camera, Day&Night, H.264,

MJPEG/MPEG4, 704x576, PoE, 12/24V, ONVIF

Art-Nr. 93160



Lens not included

Main Features

1/3" Sony Super HAD CCD

Sensitivity of: 0.1Lux at F1.2 (colour)

Removal IR cut filter (ICR)

Powerful digital noise reduction (3D-DNR)

Privacy masking/Mirror function/Motion detection

ONVIF conformance

Triple codec: H.264 / MPEG-4 / MJPEG

Integrated web server: 10Base-T/100Base-TX

Supports up to 25ips. (at 4CIF)

Resolutions: 4CIF, VGA, QVGA, 2CIF, CIF, SIF, QCIF

Two-way audio streaming

16 channel video client software

Specifications

Series	eneo NL
System	day&night
Video standard	CCIR/PAL
Sensor size	1/3"
Imager	CCD, Sony Super HAD Interline Transfer
Sensitivity (at 50% video signal)	0,1 Lux, (colour), 0.06Lux (B&W) at F1.2 (measured)
Horizontal resolution	560 TVL
Automatic gain control (AGC)	ON/OFF switchable
Automatic electronic shutter (ESC)	1/50 ~ 1/100,000sec.
Manual electronic shutter (MES)	1/50 ~ 1/100,000sec.
Digital Noise Reduction (DNR)	yes
Low speed shutter	yes, Automatic, 2 ~256 Fps., ON/OFF switchable
White balance	AWB, Indoor / Outdoor switchable

NLC-1401

(Continuation Spezifications)

Wide Dynamic Range (WDR)	yes
Backlight compensation	BLC, HSBLC (Highlight Suppress Back Light Compensation), ON/OFF switchable. Adjustable size and gain
Flickerless function	yes
IR cut filter	switchable
Mirror function	H/V flip, 180° rotation
Privacy zones masking	ON/OFF switchable
Activity detection	yes
Motion detector	9 zones, ON/OFF switchable
Text display	15 character label, ON/OFF switchable
Menu languages	English, German, French, Spanish, Italian, Russian
OSD function control	H/V flip (Mirror picture), Rotation, Positive/Negative, Freeze, Day&Night (Auto/Manual), Shutter control, Sharpness & Brightness correction, Exposure, White balance, Privacy zones masking, Motion detection, Text, Digital Cropping
External adjustments	Menu, Cursor Up/Down/Left/Right, Flange focus
External connections	Video (BNC), Audio, Network (RJ-45), Alarm Input/Output, Factory reset (button), DC iris (4 pin), Power Input, RS-485
Video outputs	composite (CVBS), 1Vp-p (C)VBS, 75ohms, BNC
Audio support	yes
Audio	1/1 Line input and output (Input selectable with microphone pre-amplifier)
Alarm inputs	1, 1x TTL
Alarm outputs	1
Alarm handling	file upload via FTP and HTTP. Notification via email, HTTP and TCP. External output activation
Internal storage	no
Compression standard	H.264, MJPEG, MPEG-4
Resolution max.	704 x 576
Resolution	704x576 ~160x120, 4CIF, VGA, QVGA, 2CIF, CIF, QCIF, QQVGA
Image transmission rate max.	25 B./Sek.
Frame rate	25 fps max. at 704x576 px. (H.264, MJPEG, MPEG-4, PAL), adjustable
Stream types	Standard, ROI (Region of Interest) max. 3
Image display	via Web Browser or Viewer Software
Ethernet interface	10Base-T, 100Base-TX
Web browser	MS Internet Explorer vers. 7.0 min., Google Chrome (Java), Mozilla Firefox (Java), Safari (Java)
Network protocols	IPv4/v6, SMTP, DDNS, HTTP, HTTPS, DNS, FTP, DHCP, QoS, UPnP, NTP, RTSP, RTP, TCP, UDP, SNMP, RTCP, ARP
Remote configuration	16-ch. remote client S/W (Live, Recording, Playback, Archiving, e-Map, Event search)
Configuration	via Smart Setup Software

NLC-1401

(Continuation Specifications)

Lens mount	CS mount
Digital zoom	2x ~32x
Iris control	manual, auto iris, DC
Pre-alarm recording	up to 30sec.
Post-alarm recording	up to 30sec.
PTZ support	yes
Search function	alarm/event/time searching
Serial interfaces	RS-485, Protocols: eneo Fastrax IIE and Pelco D&P
Access	10 users simultaneous support
Software update	via remote software
Password protection	yes
Management Software Support	Nimra, Numina, Aimetis - Symphony, Zelaris
SDK	available, SDK incl. HTTP-API and ActiveX
ONVIF	version 1.01
Camera mount	1/4" - 20 UNC thread on top and bottom
Power consumption	6.5W
Temperature range (operation)	0°C ~+45°C
Colour	Pantone Cool Gray 1C
Supply voltage	12VDC, 24VAC, PoE
Power over Ethernet	yes
Protection rating	n/a
Certificates	CE
Weight	360g
Dimensions (HxWxD)	see drawing

Optional accessories

70536	VT-PS12DC-9	Plug-in Power Supply Unit 100-240VAC 12VDC (1.0Amp), Regulated, w. open Ends
70527	NE-132/AC24V	Power Supply Unit 230VAC/24VAC (1.0A)
70495	VT-PS12DC-7	Plugable PSU w. Cont. & UK Mains plug-in 100-240VAC/12VDC-1.25A, Regulated
43274	F03Z2.6DC-NFSHR	F1.0/3-8mm DC Lens, Varifocal, No Focus Shift, High Resolution, 1/3"CS Mount
45246	YV5X2.7R4B-SA2L	F1.3/2.7-13.5mm DC Varifocal Lens, No Focus Shift, 1/3"CS Mount
77773	VT-PS12DCDT1	PSU 12VDC/1.0A, Regulated, Desktop Version, 1.8m Cables each w. open ends
43249	F07Z07NDDC-NFS	F1.3/7.5-50mm DC Lens/var. Focal Length with No Focus Shift, 1/3"CS Mount
43239	A10Z04NDDC-NFS	F1.4/10-40mm DC Lens/var. Focal Length with No Focus Shift, 1/2"CS Mount

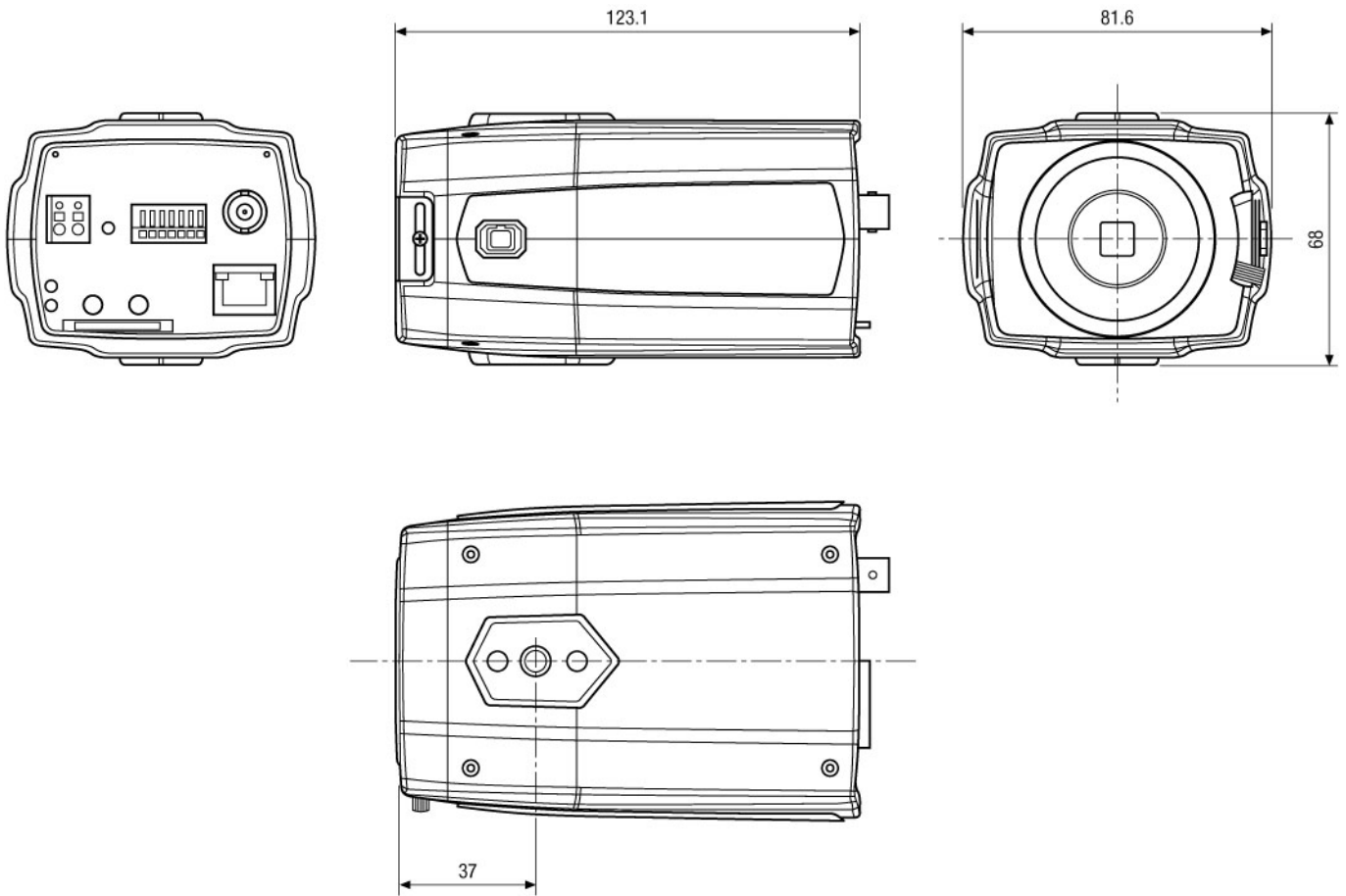
NLC-1401

93171	NUMINA	Video Management Software, for eneo NT, NX, NL, Client/Server, ON-VIF
70769	WD-22	Wall Mount Bracket with Ball Joint, 1/4" Camera Fixing Screw, Beige Grey
43251	G04Z03NDDC-NFS	F1.2/4.5-12.5mm DC Lens/variable Focal Length, No Focus Shift, 1/2" CS Mount
93156	NT-MANAGER	Remote Administration Interface Software for eneo NW Series NT, NX, NL
43238	F03Z2.710DC-NFS	F1.0/3-8mm DC Lens/var. Focal Length with No Focus Shift, 1/3" CS Mount
93159	NT-SMARTMANAGER	Utility S/W Tool for eneo Network Series NT, NX, NL
70771	WD-23	Wall Mount Bracket with Ball Joint, 1/4" Camera Fixing Screw, Pantone 877
93170	NIMRA	Video Management Software, for eneo NT, NX, NL, Single User
70836	WD-13-WA	Ceiling Mount with Ball Joint, 1/4" Camera Fixing Screw, RAL9006
79705	VTL-300/WW-POEB	Weatherproof Housing, 300mm, Wall Bracket, Heater, Fan, 12V, High PoE

NLC-1401

Home | Security | IP Cameras | Standard

Technical drawing



Maße/Dimensions: mm

SLD Security & Communications
The Old Forge, Ockham Lane, Ockham, Surrey GU236PH England
Phone +44.1483225633 · Fax +44.1483225634
sales@sld.co.uk · www.sld.co.uk

