

# NTD-6101/18

Home | Security | IP Dome Cameras | PTZ

NTD-6101/18  
1/4" Network Dome, PTZ, Day&Night, 720x576, 18x,

12VDC

**Art-Nr. 93151**



## Main Features

1/4" Super HAD ExView CCD sensor  
Zoom lens: F1.4/4.1-73.8mm / 10x digital zoom  
Sensitivity of 0.5Lux at F1.2 (colour)  
High and low speed shutter control (AES/MES/DSS)  
On-screen menu control / Camera title display  
80 presets

MPEG-4 compression  
Image frame rate: Up to 25 ips. (720x576 px.)  
Viewer for monitoring, recording and configuration  
Pre and post event recording (in client PC)  
Integrated web server: 10Base-T/100Base-TX  
E-mail notification in case of an alarm

## Specifications

Series	eneo NT
System	day&night
Video standard	CCIR/PAL
Sensor size	1/4"
Imager	CCD
Genlock synchronization	No
Digital signal processing (DSP)	DSP-3R
Sensitivity (at 50% video signal)	0,5 Lux, (colour) at F1.2 (measured)
Horizontal resolution	480 TVL
Automatic gain control (AGC)	automatic (with manual override)
Automatic electronic shutter (ESC)	1/50 ~ 1/10,000sec.
Manual electronic shutter (MES)	1/50 ~ 1/10,000sec.
Digital Noise Reduction (DNR)	no

# NTD-6101/18

(Continuation Specifications)

<b>Low speed shutter</b>	yes
<b>White balance</b>	manual, automatic, outdoor, indoor, ATW, AWC (Hold)
<b>Backlight compensation</b>	BLC
<b>Wide Dynamic Range (WDR)</b>	no
<b>IR cut filter</b>	switchable
<b>Zones</b>	16 each with programmable 12 character label
<b>Resolution max.</b>	720 x 576
<b>Resolution</b>	Network: 720x576 (D1), 640x480, 320x240, 160x120 Px.
<b>Image transmission rate max.</b>	25 B./Sek.
<b>Frame rate</b>	25 fps at 720x576 Px. (PAL)
<b>Privacy zones masking</b>	ON/OFF switchable
<b>Activity detection</b>	yes
<b>Text display</b>	16 character label
<b>Menu languages</b>	English
<b>Picture adjustments</b>	Colour, Brightness, Contrast
<b>Video outputs</b>	composite (CVBS), 1Vp-p, (C)VBS, 75ohms, BNC
<b>Audio support</b>	yes
<b>Audio</b>	not in conjunction with connection cable NTD-OPX/IPX-CC1, Article no. 74144
<b>Alarm inputs</b>	1, 2, selectable between NO and NC
<b>Alarm outputs</b>	1
<b>Alarm processing</b>	built-in motion detection, adjustable sensitivity and dwell time, e-mail function
<b>Internal storage</b>	no
<b>Compression standard</b>	MPEG-4, part 2 (ISO/IEC 14496-2), Profile: SP and ASP
<b>Audio standards</b>	PCM 16/8 Bit
<b>Bandwidth</b>	adjustable
<b>Stream types</b>	MPEG-4
<b>Ethernet interface</b>	10Base-T, 100Base-TX
<b>Web browser</b>	MS Internet Explorer Vers. 6.0
<b>Network protocols</b>	TCP/IP, DHCP, HTTP, DNNS, UDP, RTP, RTSP, SMTP, FTP
<b>Lens type</b>	zoom
<b>Lens</b>	F1.4 -F75/4.1 ~73.8mm (18x optical, 12x digital zoom)
<b>Focal length</b>	4,1 mm - 73,8 mm
<b>Horizontal angle of view</b>	48° - 2,8°
<b>Digital zoom</b>	12x
<b>Iris control</b>	auto iris, Automatic (with manual override)
<b>Focus control</b>	Automatic with manual override
<b>MOD (Minimum object distance)</b>	0,5 m
<b>Illumination</b>	no

# NTD-6101/18

(Continuation Specifications)

<b>Pre-alarm recording</b>	180sec. max.
<b>Post-alarm recording</b>	up to 180sec.
<b>Search function</b>	alarm/event/time searching
<b>Serial interfaces</b>	RS-485, RS-485 for telemetry control (proved protocols: eneo Fastrax, Pelco P&D)
<b>Access</b>	10 users simultaneous support
<b>Software update</b>	via network Interface, incl. viewer setup
<b>Password protection</b>	yes
<b>PTZ support</b>	yes
<b>Speed range at manual control (pan)</b>	0.5° ~90°/sec., Turbo: 380°/sec. (Proportional to the zoom position)
<b>Speed range at manual control (tilt)</b>	0.5° ~90°/sec. (Proportional to the zoom position)
<b>Rotation range</b>	360°
<b>Auto flip function</b>	rotates dome 180° at bottom of tilt travel
<b>Backlash</b>	0.2°
<b>Proportional pan and tilt</b>	continually decreases pan and tilt speeds in proportion to depth of zoom
<b>Patterns</b>	4 patterns: 1x up to 240sec., or 3x up to 240sec. in total
<b>Preset positioning</b>	80 presets with 16-character labels each. 0.75sec. max. preset recall time
<b>Programmable park position</b>	included
<b>Tours</b>	up to 8 user programmable guard tours with vector scan, consisting of 42 presets and other functions with individual dwell time (3 to 99sec.), selectable fast or slow vector scan
<b>Autoscan</b>	1x Autopan, 8x Autoscan
<b>Supply voltage</b>	12VDC
<b>Power over Ethernet</b>	no
<b>Heater</b>	no
<b>Power consumption</b>	12W max.
<b>Mounting</b>	ceiling mount
<b>Temperature range (operation)</b>	0°C ~+50°C
<b>Vertical tilt range</b>	-10° ~+90°
<b>Vandalism resistant</b>	no
<b>Housing</b>	indoor, Black plastic for indoor drop-ceiling mount up to 0°C
<b>Housing material</b>	plastic
<b>Colour (housing)</b>	black
<b>Colour (bubble)</b>	clear
<b>Protection rating</b>	n/a
<b>Management Software Support</b>	NT-Manager, Nimra, Numina, Zelarix, Aimetis - Symphony, Netavis
<b>SDK</b>	upon request
<b>ONVIF</b>	no
<b>Certificates</b>	CE

# NTD-6101/18

(Continuation Specifications)

<b>Dimensions (HxWxD)</b>	see drawing
<b>Weight</b>	1.25kg
<b>Parts supplied</b>	Power supply unit 230V/12VDC, RS-485 & Alarm connection cable, Viewer Software, Configuration and client CD-R

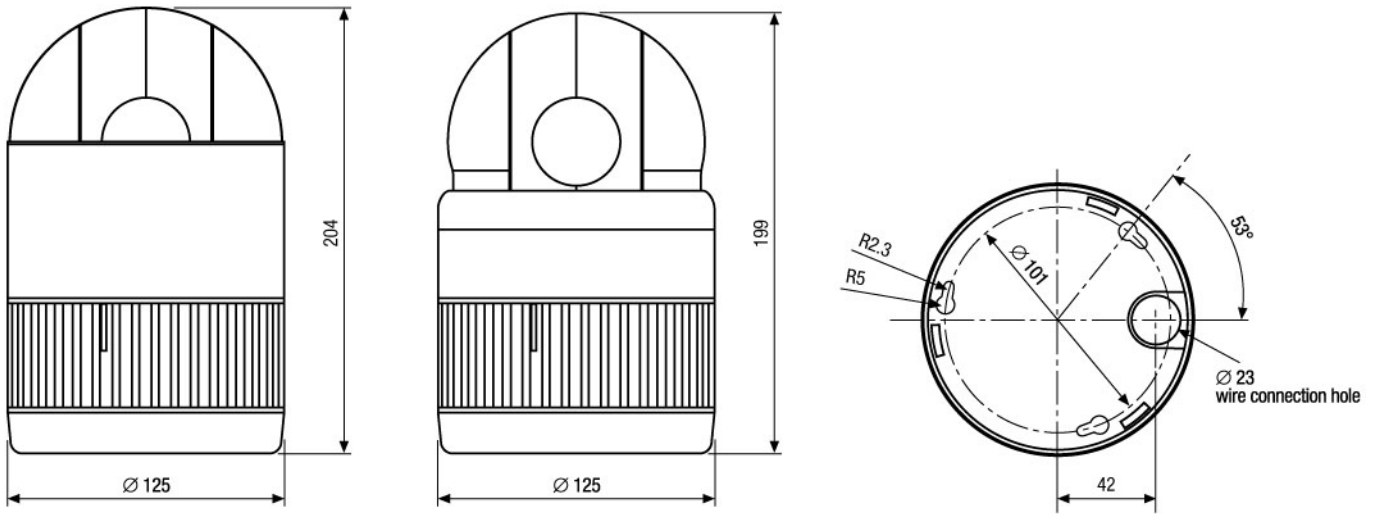
## Optional accessories

<b>74130</b>	<b>EDC-OPC-2/24V</b>	Pendant Mount Outdoor Dome Housing, Sun Shield, Clear Bubble 6.5", 24VAC
<b>74746</b>	<b>KBD-NSC-100</b>	Network System Controller with 3-Axis Joystick and Jog Shuttle, 5VDC
<b>93171</b>	<b>NUMINA</b>	Video Management Software, for eneo NT, NX, NL, Client/Server, ON-VIF
<b>74136</b>	<b>EDC-OPS-2/24V</b>	Pendant Mount Outdoor Dome Housing with Sunshield, Tinted Bubble 6.5", 24VAC
<b>70543</b>	<b>VT-PS12DC-10</b>	Plugable AC/DC Adapter 100-240V/12VDC- 2.5A, stab., Cont. & UK Mains plug-ins
<b>74134</b>	<b>EDC-IPS-2/24V</b>	Pendant Mount Indoor Dome Housing with Tinted Bubble 6.5", 24VAC
<b>74135</b>	<b>EDC-IPC-2/24V</b>	Pendant Mount Indoor Dome Housing with Clear Bubble 6.5", 24VAC
<b>93159</b>	<b>NT-SMARTMANAGER</b>	Utility S/W Tool for eneo Network Series NT, NX, NL
<b>93156</b>	<b>NT-MANAGER</b>	Remote Administration Interface Software for eneo NW Series NT, NX, NL
<b>74144</b>	<b>NTD-OPX/IPX-CC1</b>	Connection cable for NTD-6101/xx Network Domes in In/Outdoor Housing
<b>93170</b>	<b>NIMRA</b>	Video Management Software, for eneo NT, NX, NL, Single User
<b>74154</b>	<b>EDC-IDFSW</b>	Flush Mount Dome Housing, White Trimring Smoked Bubble 6.8"

# NTD-6101/18

Home | Security | IP Dome Cameras | PTZ

## Technical drawing



Maße/Dimensions: mm

SLD Security & Communications  
The Old Forge, Ockham Lane, Ockham, Surrey GU236PH England  
Phone +44.1483225633 · Fax +44.1483225634  
sales@sld.co.uk · www.sld.co.uk

