

NXC-1301M

Home | Security | IP Cameras | Megapixel

NXC-1301M

1/3" Network Camera, Day&Night, H.264, 1280x720,

RS485, SD, PoE, 12/24V, ONVIF

Art-Nr. 93166



ONVIF



Lens not included

Main Features

1/3" progressive scan CMOS sensor
Resolution max.: 1280(H) x 720(V)
Removable IR cut filter (ICR)
ONVIF conformance
Video flip, digital PTZ, motion detection
ROI (Region of interest) for display, streaming

Simultaneous H.264 and MJPEG video streaming
Supports up to 25ips. (at 1280x720/H.264)
Two-way audio streaming
Alarm in/outputs, RS-485 interface
Recording by SD card / Alarm notification
16 channel video client software

Specifications

Series	eneo NX
Resolution standard	HD 720p
System	day&night
Video standard	CCIR/PAL
Sensor size	1/3"
Imager	CMOS, Progressive scan
Sensitivity (at 50% video signal)	1,3 Lux, at F1.2
Automatic gain control (AGC)	ON/OFF switchable
Manual electronic shutter (MES)	1/2sec. ~1/1000sec.
Digital Noise Reduction (DNR)	no
Low speed shutter	yes
White balance	AWB, Indoor / Outdoor switchable
Wide Dynamic Range (WDR)	no

NXC-1301M

(Continuation Specifications)

Backlight compensation	no
Flickerless function	yes
IR cut filter	switchable
Mirror function	horizontal, vertical
Privacy zones masking	no
Activity detection	yes
Motion detector	8 zones / H.264 Stream
Text display	supplied
Menu languages	English, German, French, Spanish, Italian, Russian
OSD function control	H/V flip (Mirror picture), Positive/Negative, Freeze, Shutter control, Sharpness & Brightness correction, Exposure, White balance, Motion detection, Digital Cropping
External adjustments	flange focus
External connections	Video (BNC), Audio, Network (RJ-45), Alarm Input/Output, Factory reset (button), DC iris (4 pin), Power Input, RS-485
Video outputs	composite (CVBS), 1Vp-p (C)VBS, 75ohms, BNC
Audio support	yes
Audio	1/1 Line input and output (Input selectable with microphone pre-amplifier)
Alarm inputs	1, 2x TTL
Alarm outputs	1
Alarm handling	file upload via FTP. Notification via email, HTTP and TCP. External output activation
Internal storage	SD card
Compression standard	H.264, MJPEG
Resolution max.	1280 x 720
Resolution	1280x720, 720x576, 720x480, 640x480, 320x240
Image transmission rate max.	25 B./Sek.
Frame rate	25 fps max. at 1280x720 px.
Stream types	H.264, MJPEG multiple
Image display	via Web Browser or Viewer Software
Ethernet interface	100Base-TX
Web browser	MS Internet Explorer vers. 7.0 min., Google Chrome (Java), Mozilla Firefox (Java), Safari (Java)
Network protocols	IPv4, SMTP, DDNS, HTTP, HTTPS, FTP, DHCP, DSCP, UPnP, RTSP, RTP, TCP, UDP, NTP
Remote configuration	16-ch. remote client S/W (Live, Recording, Playback, Archiving, e-Map, Event search)
Configuration	via Smart Setup Software
Lens mount	CS mount
Digital zoom	2x ~10x

NXC-1301M

(Continuation Specifications)

Iris control	manual, DC
Pre-alarm recording	up to 30sec.
Post-alarm recording	up to 30sec.
PTZ support	yes
Search function	alarm/event/time searching
Serial interfaces	RS-485, Protocols: eneo Fastrax IIE and Pelco D&P
Access	10 users simultaneous support
Software update	via remote software
Password protection	yes
Management Software Support	Nimra, Numina, Aimetis - Symphony, Zelaris
SDK	available, SDK incl. HTTP-API and ActiveX
ONVIF	version 1.01
Camera mount	1/4" - 20 UNC thread on top and bottom
Power consumption	3.2W
Temperature range (operation)	-10°C ~+50°C
Colour	Pantone Cool Gray 1C
Supply voltage	12VDC, 24VAC, PoE
Power over Ethernet	yes
Protection rating	n/a
Certificates	CE
Weight	380g
Dimensions (HxWxD)	see drawing

Optional accessories

70536	VT-PS12DC-9	Plug-in Power Supply Unit 100-240VAC 12VDC (1.0Amp), Regulated, w. open Ends
70527	NE-132/AC24V	Power Supply Unit 230VAC/24VAC (1.0A)
70495	VT-PS12DC-7	Pluggable PSU w. Cont. & UK Mains plug-in 100-240VAC/12VDC-1.25A, Regulated
77773	VT-PS12DCDT1	PSU 12VDC/1.0A, Regulated, Desktop Version, 1.8m Cables each w. open ends
93171	NUMINA	Video Management Software, for eneo NT, NX, NL, Client/Server, ON-VIF
70769	WD-22	Wall Mount Bracket with Ball Joint, 1/4" Camera Fixing Screw, Beige Grey
43251	G04Z03NDDC-NFS	F1.2/4.5-12.5mm DC Lens/variable Focal Length, No Focus Shift, 1/2" CS Mount
43264	F05Z10NDDC-MP	F1.4/5-50mm Megapixel DC Lens with variable Focal Length, 1/3" CS Mount
93156	NT-MANAGER	Remote Administration Interface Software for eneo NW Series NT, NX, NL

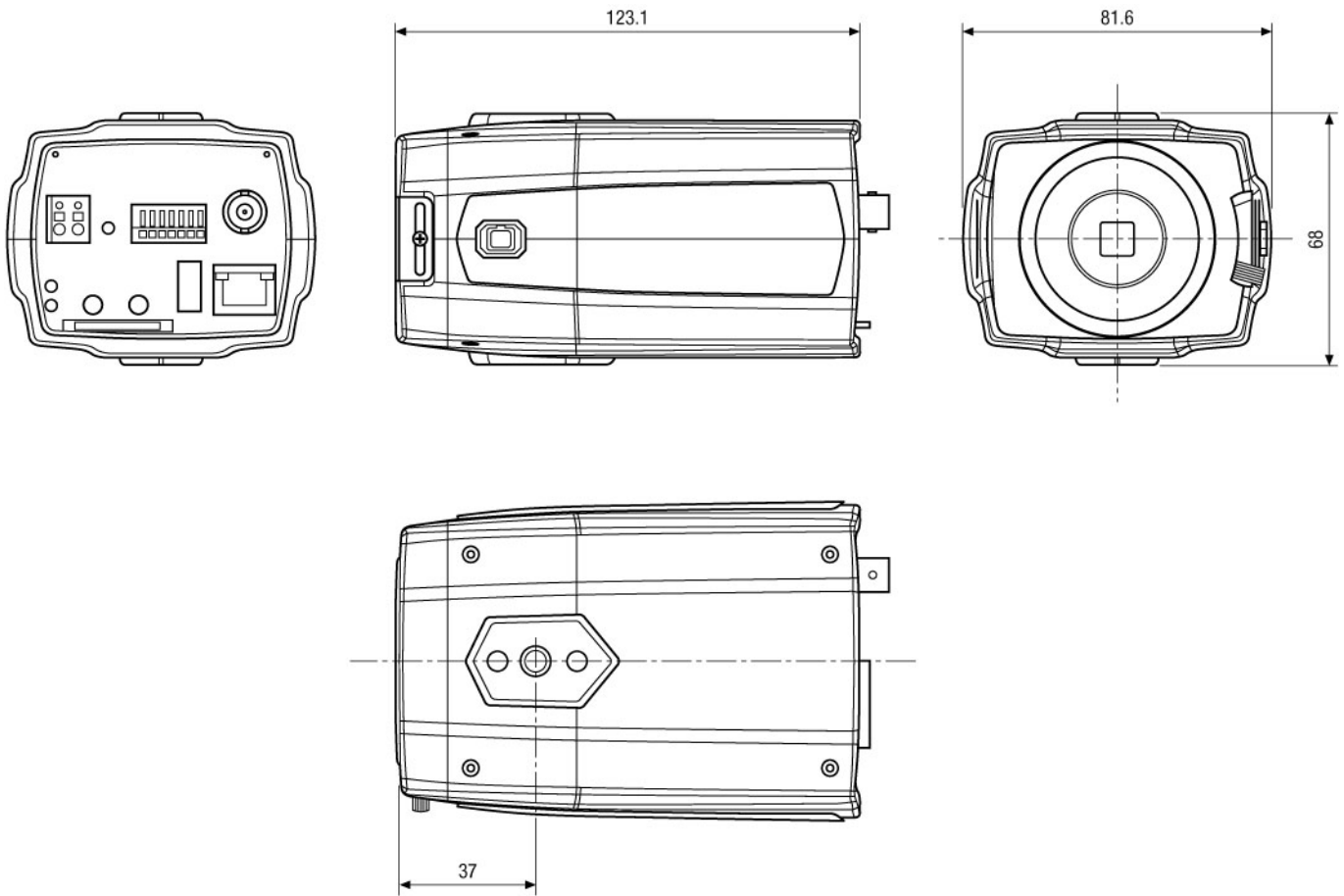
NXC-1301M

93159	NT-SMARTMANAGER	Utility S/W Tool for eneo Network Series NT, NX, NL
70771	WD-23	Wall Mount Bracket with Ball Joint, 1/4" Camera Fixing Screw, Pantone 877
93170	NIMRA	Video Management Software, for eneo NT, NX, NL, Single User
70836	WD-13-WA	Ceiling Mount with Ball Joint, 1/4" Camera Fixing Screw, RAL9006
43262	F03Z2.710NDDCMP	F1.0/3-8mm Megapixel DC Lens with variable Focal Length, 1/3" CS Mount
43261	F03Z2.710M-MP	F1.0/3-8mm Megapixel Lens with variable Focal Length, 1/3" CS Mount
79705	VTL-300/WW-POEB	Weatherproof Housing, 300mm, Wall Bracket, Heater, Fan, 12V, High PoE
43266	A09Z10DC-NFS-MP	F1.8/9-90mm DC Varifocal Lens, NFS, Megapixel Resolution, 1/2", C Mount
43258	F02Z02M-MP	F1.2/2.4-6mm Megapixel Lens with variable Focal Length, 1/3" CS Mount
43273	A09Z10-NFS-MP	F1.8/9-90mm Varifocal Lens, 1/2", NFS, Megapixel Resolution, 1/2", C Mount

NXC-1301M

Home | Security | IP Cameras | Megapixel

Technical drawing



Maße/Dimensions: mm

SLD Security & Communications
The Old Forge, Ockham Lane, Ockham, Surrey GU236PH England
Phone +44.1483225633 · Fax +44.1483225634
sales@sld.co.uk · www.sld.co.uk

