

# NXD-1302M

Home | Security | IP Dome Cameras | Fixed

NXD-1302M

1/3" Network Dome, Fixed, Day&Night, H.264, ONVIF,

1600x1200, SD, PoE, 12/24V

**Art-Nr. 93169**



## Main Features

1/3" progressive scan CMOS sensor

Resolution max.: 1600(H) x 1200(V)

Removable IR cut filter (ICR)

ONVIF conformance

Video flip / Digital PTZ / Motion detection

ROI (Region of interest) for display, streaming

Simultaneous H.264 and MJPEG video streaming

Supports up to 25ips. (at 1600x1200/H.264)

Two-way audio streaming

Recording by SD card / Alarm notification

Varifocal lens: F1.2/3-9mm w. DC controlled Iris

16 channel video client software

## Specifications

Series	eneo NX
Resolution standard	HD 720p
System	day&night
Video standard	CCIR/PAL
Sensor size	1/3"
Imager	CMOS, Progressive scan
Synchronization	internal
Sensitivity (at 50% video signal)	1,3 Lux, at F1.2
Automatic gain control (AGC)	supplied
Manual electronic shutter (MES)	1/2sec. ~1/1000sec.
Digital Noise Reduction (DNR)	no
Low speed shutter	yes
White balance	AWB, Indoor / Outdoor switchable

# NXD-1302M

(Continuation Specifications)

<b>Backlight compensation</b>	no
<b>Wide Dynamic Range (WDR)</b>	no
<b>Flickerless function</b>	yes
<b>IR cut filter</b>	switchable
<b>Mirror function</b>	horizontal, vertical
<b>Resolution max.</b>	1600 x 1200
<b>Resolution</b>	1600x1200, 1280x1024, 1152x866, 1280x720, 720x576, 720x480, 640x480, 320x240
<b>Image transmission rate max.</b>	25 B./Sek.
<b>Frame rate</b>	12.5 fps max. at 1600x1200 px.
<b>Privacy zones masking</b>	no
<b>Activity detection</b>	yes
<b>Motion detector</b>	8 zones / H.264 Stream
<b>Text display</b>	supplied
<b>Sharpness correction</b>	adjustment range: 0 -20
<b>Brightness</b>	adjustment range: 0 -20
<b>Menu languages</b>	English, German, French, Spanish, Italian, Russian
<b>OSD function control</b>	H/V flip (Mirror picture), Positive/Negative, Freeze, Shutter control, Sharpness & Brightness correction, Exposure, White balance, Motion detection, Digital Cropping
<b>Internal adjustments</b>	camera position, angle of view & focus, reset
<b>External connections</b>	Video (BNC), Audio In/Out, Network (RJ-45), Alarm Inputs/Output, Power Input
<b>Video outputs</b>	composite (CVBS), 1Vp-p (C)VBS, 75ohms, BNC
<b>Audio support</b>	yes
<b>Audio</b>	1/1 Line input and output (Input selectable with microphone pre-amplifier)
<b>Alarm inputs</b>	1, 2x TTL
<b>Alarm outputs</b>	1
<b>Alarm handling</b>	file upload via FTP. Notification via email, HTTP and TCP. External output activation
<b>Internal storage</b>	Micro SD card
<b>Compression standard</b>	H.264, MJPEG
<b>Bandwidth</b>	controllable bandwidth and frame rate
<b>Stream types</b>	H.264, MJPEG multiple
<b>Image display</b>	via Web Browser or Viewer Software
<b>Ethernet interface</b>	10Base-T, 100Base-TX
<b>Web browser</b>	MS Internet Explorer vers. 7.0 min., Google Chrome (Java), Mozilla Firefox (Java), Safari (Java)
<b>Network protocols</b>	IPv4, SMTP, DDNS, HTTP, HTTPS, FTP, DHCP, DSCP, UPnP, RTSP, RTP, TCP, UDP, NTP

# NXD-1302M

(Continuation Specifications)

<b>Lens type</b>	varifocal
<b>Lens</b>	F1.2/3 ~9mm with galvanometer controlled iris
<b>Focal length</b>	3 mm - 9 mm
<b>Horizontal angle of view</b>	77,4° - 29,8°
<b>Digital zoom</b>	2x ~10x
<b>Iris control</b>	DC
<b>MOD (Minimum object distance)</b>	0,5 m
<b>Illumination</b>	no
<b>Pre-alarm recording</b>	up to 30sec.
<b>Post-alarm recording</b>	up to 30sec.
<b>Search function</b>	alarm/event/time searching
<b>Serial interfaces</b>	no
<b>Remote configuration</b>	16-ch. remote client S/W (Live, Recording, Playback, Archiving, e-Map, Event search)
<b>Configuration</b>	via Smart Setup Software
<b>Access</b>	10 users simultaneous support
<b>Software update</b>	via remote software
<b>Password protection</b>	yes
<b>PTZ support</b>	no
<b>Rotation range</b>	359°
<b>Supply voltage</b>	12VDC, PoE
<b>Power over Ethernet</b>	yes
<b>Heater</b>	no
<b>Power consumption</b>	3.2W
<b>Mounting</b>	wall mount, ceiling mount
<b>Camera mount</b>	1/4" - 20 UNC thread on top and bottom
<b>Temperature range (operation)</b>	-10°C ~+50°C
<b>Vandalism resistant</b>	yes
<b>Housing</b>	outdoor
<b>Housing material</b>	aluminium
<b>Colour</b>	similar to Pantone 8400C
<b>Colour (housing)</b>	Pantone Cool Gray 1C
<b>Bubble</b>	Polycarbonate plastic with black inner liner
<b>Colour (bubble)</b>	clear
<b>Protection rating</b>	IP66
<b>Management Software Support</b>	NT-Manager, Nimra, Numina, Zelarix, Aimetis - Symphony
<b>SDK</b>	upon request, SDK incl. HTTP-API and ActiveX
<b>ONVIF</b>	version 1.01
<b>Certificates</b>	CE
<b>Dimensions (HxWxD)</b>	see drawing

# NXD-1302M

(Continuation Specifications)

<b>Weight</b>	1000g
<b>Parts supplied</b>	Mounting kit, Torx wrench key, Terminal plugs (2 & 6 pins), Drilling template, Manual

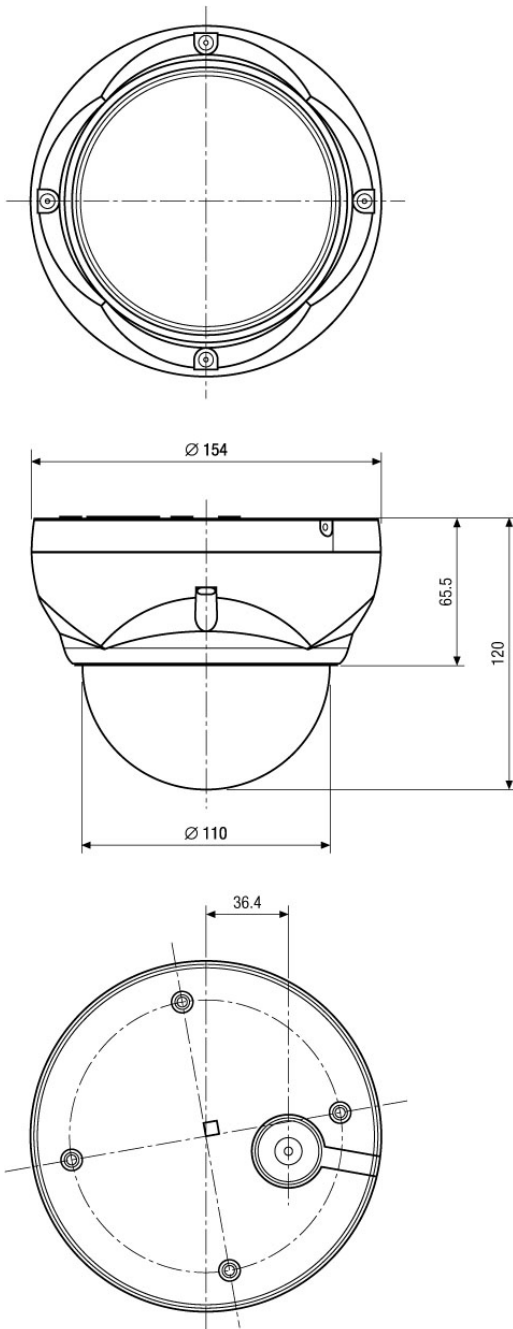
## Optional accessories

<b>70536</b>	<b>VT-PS12DC-9</b>	Plug-in Power Supply Unit 100-240VAC 12VDC (1.0Amp), Regulated, w. open Ends
<b>70527</b>	<b>NE-132/AC24V</b>	Power Supply Unit 230VAC/24VAC (1.0A)
<b>70495</b>	<b>VT-PS12DC-7</b>	Plugable PSU w. Cont. & UK Mains plug-in 100-240VAC/12VDC-1.25A, Regulated
<b>77773</b>	<b>VT-PS12DCDT1</b>	PSU 12VDC/1.0A, Regulated, Desktop Version, 1.8m Cables each w. open ends
<b>74155</b>	<b>EDMC/CWB-1</b>	Wall or Pendant Mount Kit f. Dome Camera Series EDMC, NTD, NLD, NXD & VKCD-1375
<b>93171</b>	<b>NUMINA</b>	Video Management Software, for eneo NT, NX, NL, Client/Server, ON-VIF
<b>93156</b>	<b>NT-MANAGER</b>	Remote Administration Interface Software for eneo NW Series NT, NX, NL
<b>93159</b>	<b>NT-SMARTMANAGER</b>	Utility S/W Tool for eneo Network Series NT, NX, NL
<b>93170</b>	<b>NIMRA</b>	Video Management Software, for eneo NT, NX, NL, Single User
<b>74104</b>	<b>EDMC/H24</b>	Low Voltage Heater Kit 24V/10W for EDMC- 142, VKCD-1410, NLD-1401, NXD-130x/140x
<b>74099</b>	<b>EDMC/H12</b>	Low Voltage Heater Kit 12V/10W for Minitrax Series, NLD-1401, NXD-130x/140x

# NXD-1302M

Home | Security | IP Dome Cameras | Fixed

## Technical drawing



Maße/Dimensions: mm

SLD Security & Communications  
The Old Forge, Ockham Lane, Ockham, Surrey GU236PH England  
Phone +44.1483225633 · Fax +44.1483225634  
sales@sld.co.uk · www.sld.co.uk

